

Model: _____

Item #: _____ Quantity: _____

Project: _____



Convenience Store Sink

- **Sink Bowls:**
20 gauge 304 series stainless steel 10" x 14" x 10" deep. Furnished with 3 1/2" basket drains.
- **Drainboard:**
20 gauge 304 series stainless steel reinforced with welded braces every six inches.
- **Front Apron:**
20 gauge 304 series stainless steel clad over 20 gauge galvaneal.
- **Sides:**
20 gauge 304 series stainless steel.
- **Backsplash:**
20 gauge 304 series stainless steel.
- **Back and Bottom:**
20 gauge galvaneal.
- **Legs:**
1 5/8" tubular 16 gauge stainless steel with grey thermoplastic bullet feet.
- **Faucet (included):**
4" center wall mount faucet.
- **Plumbing:**
1/2" IPS hot and cold water
1 1/2" IPS drain connection

Accessories

- Royal Faucet with Cartridge Valve Upgrade

Convenience Sinks

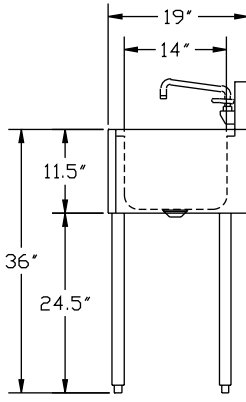
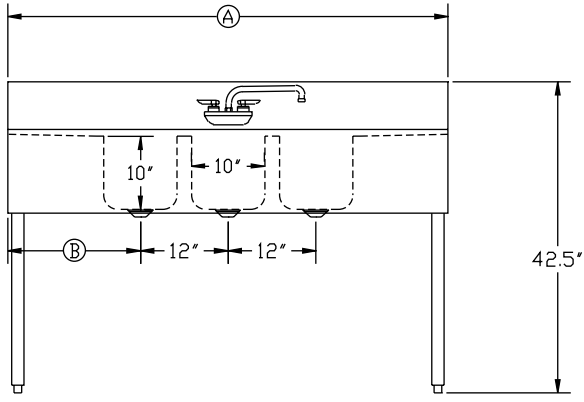
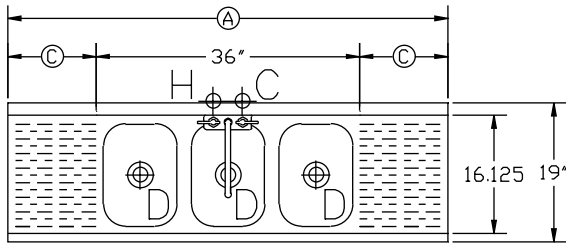
Approved By: _____



Model: _____ Item #: _____ Quantity: _____ Project: _____

Convenience Store Sink

Model Numbers	Length (A)	Bowls	Left Side to Drain (B)	Drainboard Size (C)	Bowl(s) Location	Weight lbs
CS-1860	5'-0"	3	18"	12" (2 ea.)	Center	118
CS-1872	6'-0"	3	24"	18" (2 ea.)	Center	138



Mechanical Requirements:
 1/2" IPS Hot and Cold Connection
 1 1/2" IPS Drain Connection

Approved By: _____

Due to our commitment to continued product improvement, specifications are subject to change without notice.