

Krowne

ROYAL SERIES

8" Center Deck Mount Faucet

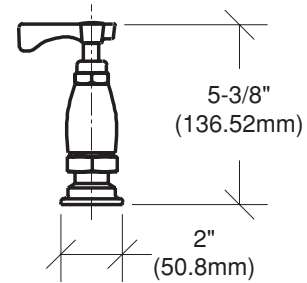
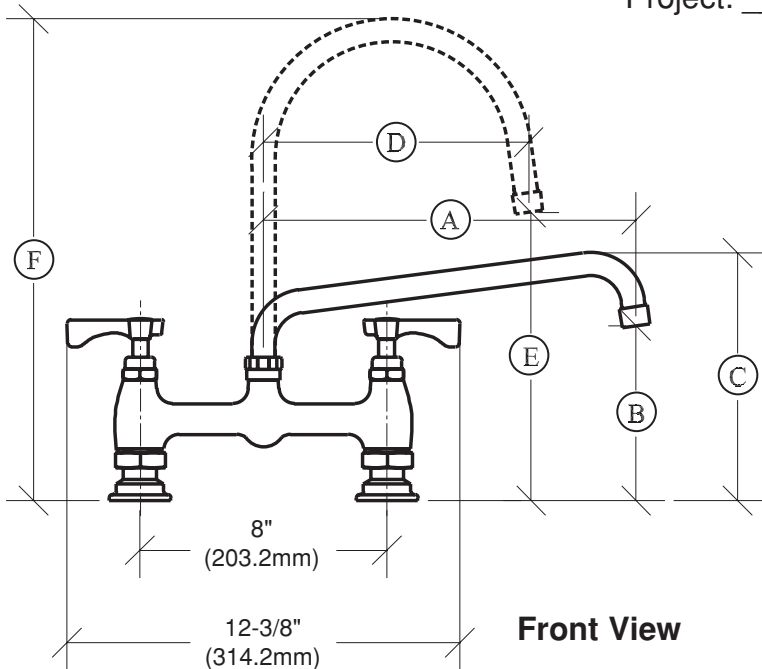
Model: _____

Item #: _____ Quantity: _____

Project: _____



Plumbing



Front View

Side View

MODEL NO.	A	B	C
15-806	6"	4 5/8"	7 1/8"
15-808	8"	4 5/8"	7 1/8"
15-810	10"	4 7/8"	7 3/8"
15-812	12"	5 3/8"	7 7/8"
15-814	14"	5 3/4"	8 1/4"
15-816	16"	6 3/4"	9 1/4"
15-818	*18"	7 3/4"	10 1/4"

*double jointed spout

Gooseneck Spouts			
MODEL NO.	D	E	F
15-825	3 1/2"	7 7/8"	10 1/2"
15-801	6"	7 7/8"	11 7/8"
15-802	8 1/2"	9 5/8"	15"

FEATURES:

- 1/4" TURN HIGH PERFORMANCE CERAMIC CARTRIDGE WITH BUILT IN BACK FLOW PREVENTORS
- HEAVY DUTY FLANGES WITH ECCENTRIC FITTINGS FOR QUICK INSTALLATION
- HEAVY DUTY SOLID BRASS SPOUT WITH DOUBLE O-RING CONSTRUCTION WITH REINFORCED SHOULDER FOR DURABILITY
- HIGH PRECISION MACHINING AND POLISHED NICKEL CHROMIUM FINISH
- COLOR CODED HANDLES
- OPTIONAL WRIST HANDLES AVAILABLE
- MOUNTING KIT INCLUDED (1/2" NPT x 1 1/2" MALE NIPPLES WITH LOCK NUTS)
- FULL REPLACEMENT PARTS AVAILABLE
- 1 YEAR WARRANTY

SPECS:

- 8" ON CENTER DECK MOUNT WITH 1/2" NPT FEMALE INLETS
- ROUGH IN: TWO 7/8" ROUND HOLES ON 8" CENTERS
- TEMP RANGE: 40°F TO 180°F
- SHIPPING WEIGHT: 5.5 LBS

Approved By: _____

Due to our commitment to continued product improvement, specifications are subject to change without notice.

Krowne Metal Corporation
100 Haul Road Wayne, New Jersey 07470

www.krowne.com

Phone: 800-631-0442

FAX: 973-872-1129