



4" Center Deck Mount Faucet

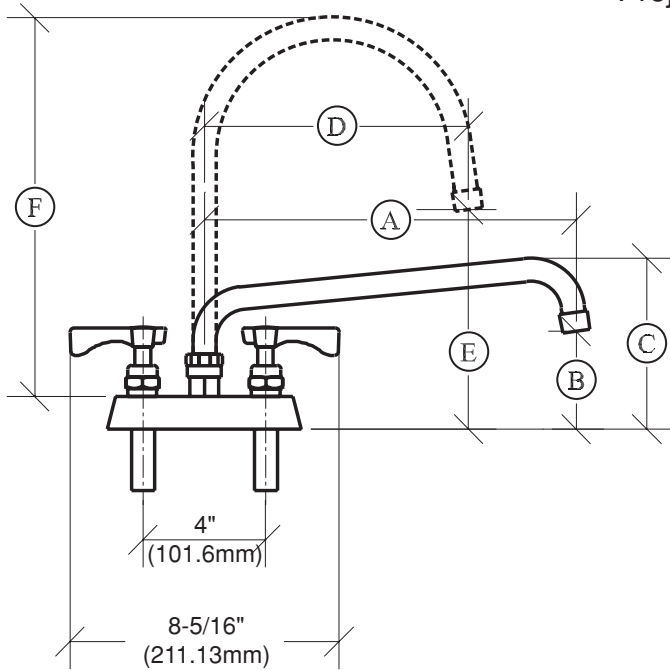
Model: _____

Item #: _____ Quantity: _____

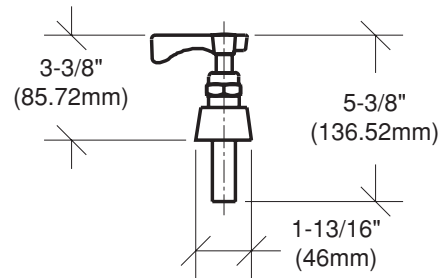
Project: _____



Plumbing



Front View



Side View

Gooseneck Spouts

MODEL NO.	A	B	C
15-306	6"	2 1/2"	5"
15-308	8"	2 1/2"	5"
14-310	10"	2 3/4"	5 1/4"
14-312	12"	3 1/4"	5 3/4"
14-314	14"	3 5/8"	6 1/8"
14-316	16"	4 5/8"	7 1/8"

MODEL NO.	D	E	F
15-325	3 1/2"	5 7/8"	8 1/2"
15-301	6"	6"	10"
15-302	8 1/2"	7 5/8"	13"

FEATURES:

- 1/4" TURN HIGH PERFORMANCE CERAMIC CARTRIDGE WITH BUILT IN BACK FLOW PREVENTORS
- HEAVY DUTY SOLID BRASS SPOUT WITH DOUBLE O-RING CONSTRUCTION WITH REINFORCED SHOULDER FOR DURABILITY
- HIGH PRECISION MACHINING AND POLISHED NICKEL CHROMIUM FINISH
- COLOR CODED HANDLES
- OPTIONAL WRIST HANDLES AVAILABLE
- FULL REPLACEMENT PARTS AVAILABLE
- 1 YEAR WARRANTY

SPECS:

- 4" ON CENTER DECK MOUNT WITH 1/2" NPT MALE INLETS
- ROUGH IN: TWO 7/8" ROUND HOLES ON 4" CENTERS
- TEMP RANGE: 40°F TO 180°F
- SHIPPING WEIGHT: 5 LBS

Approved By: _____

Due to our commitment to continued product improvement, specifications are subject to change without notice.



100 Haul Road Wayne, New Jersey 07470

www.krowne.com

Phone: 800-631-0442

FAX: 973-872-1129