



4" Center Wall Mount Faucet

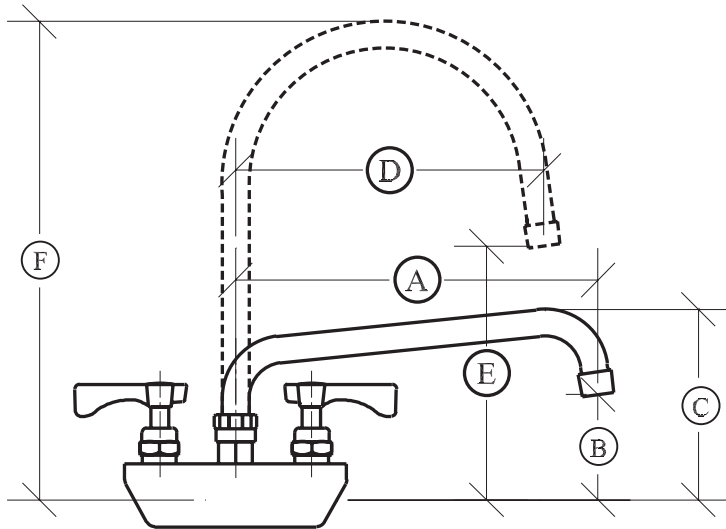
Model: _____

Item #: _____ Quantity: _____

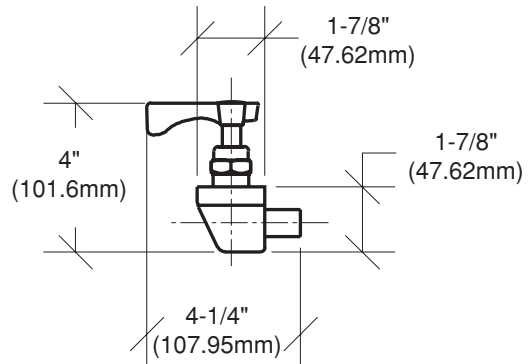
Project: _____



Plumbing



Front View



Side View

Gooseneck Spouts

MODEL NO.	A	B	C
14-406	6"	2 1/2"	5"
14-408	8"	2 1/2"	5"
14-410	10"	2 3/4"	5 1/4"

MODEL NO.	D	E	F
14-400	3 1/2"	7"	9 5/8"
14-401	6"	7"	11"
14-402	8 1/2"	8 7/8"	14 1/4"

FEATURES:

- 1/4" TURN HIGH PERFORMANCE CERAMIC CARTRIDGE WITH BUILT IN BACK FLOW PREVENTORS
- HEAVY DUTY FLANGES WITH ECCENTRIC FITTINGS FOR QUICK INSTALLATION
- HEAVY DUTY SOLID BRASS SPOUT WITH DOUBLE O-RING CONSTRUCTION WITH REINFORCED SHOULDER FOR DURABILITY
- HIGH PRECISION MACHINING AND POLISHED NICKEL CHROMIUM FINISH
- COLOR CODED HANDLES
- OPTIONAL WRIST HANDLES AVAILABLE
- FULL REPLACEMENT PARTS AVAILABLE
- 1 YEAR WARRANTY

SPECS:

- 4" ON CENTER WALL MOUNT WITH 1/2" NPT MALE INLETS
- ROUGH IN: TWO 7/8" ROUND HOLES ON 4" CENTERS
- TEMP RANGE: 40°F TO 180°F
- SHIPPING WEIGHT: 5 LBS

Approved By: _____

Due to our commitment to continued product improvement, specifications are subject to change without notice.

Phone: 800-631-0442

FAX: 973-872-1129

Krowne Metal Corporation
 100 Haul Road Wayne, New Jersey 07470
www.krowne.com