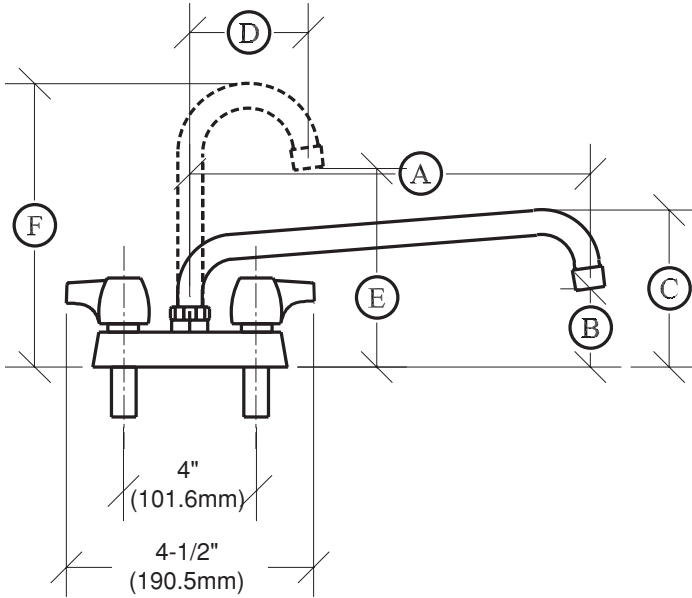


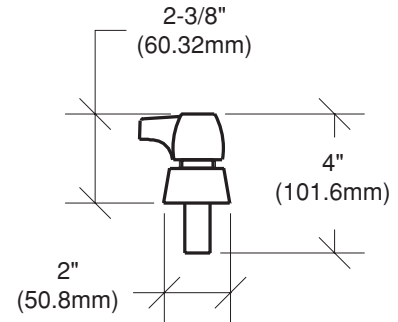
Model: \_\_\_\_\_

Item #: \_\_\_\_\_ Quantity: \_\_\_\_\_

Project: \_\_\_\_\_



**Front View**



**Side View**

**Gooseneck Spouts**

MODEL NO.	A	B	C
11-406	6"	1 7/8"	4 3/8"
11-412	12"	2 5/8"	5 1/8"

MODEL NO.	D	E	F
11-400	3 1/2"	5 3/8"	8"

**FEATURES:**

- HEAVY DUTY SPOUT WITH DOUBLE O-RING CONSTRUCTION WITH WELDED SHOULDER FOR DURABILITY
- HIGH PRECISION MACHINING AND POLISHED NICKEL CHROMIUM FINISH
- COLOR CODED HANDLES
- OPTIONAL WRIST BLADE HANDLES AVAILABLE
- FULL REPLACEMENT PARTS AVAILABLE

**SPECS:**

- 4" ON CENTER DECK MOUNT WITH 1/2" NPT MALE INLETS
- ROUGH IN: TWO 7/8" ROUND HOLES ON 4" CENTERS
- SHIPPING WEIGHT: 3 LBS

Approved By: \_\_\_\_\_