



Item # _____

Job _____



Metro C5 3 Series Insulation Armour™ Heated Holding and Proofing Cabinets

- **Insulation Armour™:** Patent pending insulation technology retains heat, saves energy, and provides a cool-to-touch exterior. Durable polymer construction is dent, impact, and stain resistant. Molded-in hand holds create vertical handles for mobile applications.
- **Control:** Three holding modules are available. All feature an easy-to-read digital thermometer, recessed control dials, a master on/off switch, and power indicator lights.
 - **Combination Module:** At the flip of a switch change from heated holding mode to proofing mode. Individual analog controls for temperature and humidity levels.
 - **Holding Module:** For heated holding applications. Analog temperature control and a passive humidity generation system.
 - **Proofing Module:** For proofing applications only. Individual analog controls for temperature and humidity levels.
- **Performance:** All modules provide fast heat-up and recovery through a thermostatically controlled, forced air heating system.
- **Sizes:** C5 3 Series cabinets are available in Full Height (71", 1803mm), 3/4 Height (59", 1499mm), and 1/2 Height (44", 1118mm) sizes.
- **Doors:** Solid insulated aluminum or clear polycarbonate doors are available. Full Height cabinets can be configured with full length or Dutch style doors. Clear doors provide visibility of the contents of the cabinet without the heat loss associated with opening the door.
- **Capacity:** Three slide styles provide maximum holding capacity.
 - **Universal:** Adjustable wire slides, with SiteSelect™, hold 18"x26" sheet, 12"x20" steam table, 2/1 or 1/1 GN pans, and adjust on 1 1/2" (38mm) increments.
 - **Lip Load:** Fixed aluminum extrusions hold 18"x26" sheet pans on 1 1/2" (38mm) increments.
 - **Fixed Wire:** Fixed slides hold 18"x26" sheet, 12"x20" steam table, 2/1 GN, or 1/1 GN pans on 3" (76mm) increments.
- **Removable Module:** All modules are removable, without tools, for easy cleaning of the cabinet interior. Future module upgrades or changes can occur without cabinet body replacement.
- **Reliability:** Reliability and durability are designed into every C5. High-quality components provide a long life of worry free use.
- **Energy Star:** All C5 3 Series cabinets are Energy Star.

Options/Accessories*

- Small Item Shelf (C5-SHELF)
- Stainless Steel Legs (C5-SSLEGS)
- Universal Slide Pair (C5-USLIDECPR)
- 6" Casters (C5-6CASTER)
- Rear Rigid Casters (C5-5RDGCSTR)
- Travel Latch (C5-TRVL)
- Right Angle Plug (C5-RTANGPLG)
- Left Hand Hinging (DD3768)
- Stainless Steel Universal Slides

*Specify as a line item with an "A" added to the end of the cabinet part number.

Power Options

- Lower Wattage Combination and Holding Modules
- Export 240/220 Modules with Centigrade Thermometer Display

*Patents Pending



Full Height
Dutch
Solid Doors



Full Height
Full Clear Door



Full Height
Dutch Clear Doors



3/4 Height
Full Solid Door



1/2 Height
Full Clear Door

C5 3 Series Insulation Armour™ Heated Holding and Proofing Cabinets

13-93



InterMetro Industries Corporation
North Washington Street
Wilkes-Barre, PA 18705
www.metro.com





C5 3 Series Insulation Armour™ Heated Holding and Proofing Cabinets

Specifications

- Cabinet Material:** .063" (1.8mm) aluminum, natural interior with .125" (3.2mm) aluminum chassis.
- Insulation Armour™:** High Density Polyethylene (HDPE).
- Casters:** Four casters with 5" (127mm) donut neoprene wheel, double ball bearing swivel, ball bearing axel, nickel plated, two with brake
- Solid Doors:** Fully insulated with 1" (25.4mm) fiberglass, double panel .063" (1.8mm) aluminum, brushed exterior, natural interior.
- Clear Doors:** Extruded aluminum powder coated frame with .090" (2.3mm) polycarbonate window.
- Hinges:** Field reversible, double hinged, 180° swing, with long-life nylon bearings.
- Gaskets:** High temperature, door mounted, Santoprene gaskets.
- Latches:** Polymer high-strength magnetic pull latch with lever-action release.
- Hand Holds:** Molded into the Insulation Armour™ on all four corners.
- Universal Slides:** 1/4" (6.4mm) dia. nickel-chrome electroplated wire, adjustable on 1 1/2" (38mm) increments.
- Lip Load Slides:** 1 1/2"x1/2"x.063" (38x38x1.8mm) extruded aluminum channel slides, 1 1/2" (38mm) fixed spacing.
- Fixed Wire Slides:** 1/4" (6.4mm) dia. nickel-chrome electroplated wire, welded on 3" (76mm) spacing.
- Slide Capacities:**

Cabinet Size	Universal Slides		Lip Load Slide		Fixed Wire Slides	
	Slide Pairs Provided	Pan Capacity**	Pan Capacity		Pan Capacity	
Full Height	18	37	18"x26"	12"x20"x2 1/2"	18"x26"	12"x20"x2 1/2"
Full Height/Dutch	18	35	17	32	34	17
3/4 Height	14	29	13	26	27	14
1/2 Height	8	17	8	16	17	8

*Maximum number of slide pairs @ 1 1/2" spacing. Additional slide pairs ordered separately.
 **Capacity based on standard number of slide pairs provided.

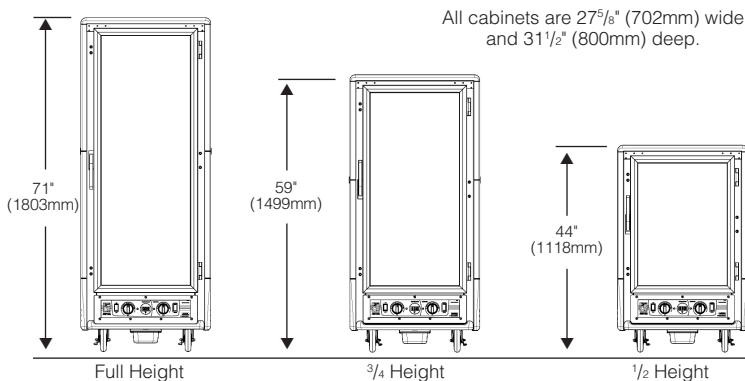
- Drip Trough:** Smooth polymer drip trough with catch pan.
- Holding Modules:** Removable without tools, digital thermometer, recessed control dials, master on/off switch, "Power On" light, water pan, ball bearing blower forced air system, 7 1/2' cord, UL, CUL, and NSF Listed.

Electrical and Performance:

- Combination Module:** 2000 Watt, 120 Volts, 60 Hz., single phase, 16.7 Amps. 80°F to 200°F operating temperature range. 95% RH at 95°F. NEMA 5-20P plug.
- Holding Module:** 2000 Watt, 120 Volts, 60 Hz., single phase, 16.7 Amps. 80°F to 200°F operating temperature range. NEMA 5-20P plug.
- Proofing Module:** 1440 Watt, 120 Volts, 60 Hz., single phase, 12 Amps. 80°F to 120°F operating temperature range. 95% RH at 95°F. NEMA 5-15P plug.



Dimensions



Part Numbers

FULL HEIGHT CABINETS			
Part #	Module	Doors	Slides
C539-CFC-4	Combo	Full-Length Clear	Fixed Wire
C539-CFC-U	Combo	Full-Length Clear	Universal Wire
C539-CFC-L	Combo	Full-Length Clear	Lip Load
C539-HFC-4	Holding	Full-Length Clear	Fixed Wire
C539-HFC-U	Holding	Full-Length Clear	Universal Wire
C539-HFC-L	Holding	Full-Length Clear	Lip Load
C539-PFC-4	Proofing	Full-Length Clear	Fixed Wire
C539-PFC-U	Proofing	Full-Length Clear	Universal Wire
C539-PFC-L	Proofing	Full-Length Clear	Lip Load
C539-CFS-4	Combo	Full-Length Solid	Fixed Wire
C539-CFS-U	Combo	Full-Length Solid	Universal Wire
C539-CFS-L	Combo	Full-Length Solid	Lip Load
C539-HFS-4	Holding	Full-Length Solid	Fixed Wire
C539-HFS-U	Holding	Full-Length Solid	Universal Wire
C539-HFS-L	Holding	Full-Length Solid	Lip Load
C539-PFS-4	Proofing	Full-Length Solid	Fixed Wire
C539-PFS-U	Proofing	Full-Length Solid	Universal Wire
C539-PFS-L	Proofing	Full-Length Solid	Lip Load
C539-CDC-4	Combo	Dutch Clear	Fixed Wire
C539-CDC-U	Combo	Dutch Clear	Universal Wire
C539-CDC-L	Combo	Dutch Clear	Lip Load
C539-HDC-4	Holding	Dutch Clear	Fixed Wire
C539-HDC-U	Holding	Dutch Clear	Universal Wire
C539-HDC-L	Holding	Dutch Clear	Lip Load
C539-PDC-4	Proofing	Dutch Clear	Fixed Wire
C539-PDC-U	Proofing	Dutch Clear	Universal Wire
C539-PDC-L	Proofing	Dutch Clear	Lip Load
C539-CDS-4	Combo	Dutch Solid	Fixed Wire
C539-CDS-U	Combo	Dutch Solid	Universal Wire
C539-CDS-L	Combo	Dutch Solid	Lip Load
C539-HDS-4	Holding	Dutch Solid	Fixed Wire
C539-HDS-U	Holding	Dutch Solid	Universal Wire
C539-HDS-L	Holding	Dutch Solid	Lip Load
C539-PDS-4	Proofing	Dutch Solid	Fixed Wire
C539-PDS-U	Proofing	Dutch Solid	Universal Wire
C539-PDS-L	Proofing	Dutch Solid	Lip Load
3/4 HEIGHT CABINETS			
C537-CFC-4	Combo	Full-Length Clear	Fixed Wire
C537-CFC-U	Combo	Full-Length Clear	Universal Wire
C537-CFC-L	Combo	Full-Length Clear	Lip Load
C537-HFC-4	Holding	Full-Length Clear	Fixed Wire
C537-HFC-U	Holding	Full-Length Clear	Universal Wire
C537-HFC-L	Holding	Full-Length Clear	Lip Load
C537-PFC-4	Proofing	Full-Length Clear	Fixed Wire
C537-PFC-U	Proofing	Full-Length Clear	Universal Wire
C537-PFC-L	Proofing	Full-Length Clear	Lip Load
C537-CFS-4	Combo	Full-Length Solid	Fixed Wire
C537-CFS-U	Combo	Full-Length Solid	Universal Wire
C537-CFS-L	Combo	Full-Length Solid	Lip Load
C537-HFS-4	Holding	Full-Length Solid	Fixed Wire
C537-HFS-U	Holding	Full-Length Solid	Universal Wire
C537-HFS-L	Holding	Full-Length Solid	Lip Load
C537-PFS-4	Proofing	Full-Length Solid	Fixed Wire
C537-PFS-U	Proofing	Full-Length Solid	Universal Wire
C537-PFS-L	Proofing	Full-Length Solid	Lip Load
1/2 HEIGHT CABINETS			
C535-CFC-4	Combo	Full-Length Clear	Fixed Wire
C535-CFC-U	Combo	Full-Length Clear	Universal Wire
C535-CFC-L	Combo	Full-Length Clear	Lip Load
C535-HFC-4	Holding	Full-Length Clear	Fixed Wire
C535-HFC-U	Holding	Full-Length Clear	Universal Wire
C535-HFC-L	Holding	Full-Length Clear	Lip Load
C535-PFC-4	Proofing	Full-Length Clear	Fixed Wire
C535-PFC-U	Proofing	Full-Length Clear	Universal Wire
C535-PFC-L	Proofing	Full-Length Clear	Lip Load
C535-CFS-4	Combo	Full-Length Solid	Fixed Wire
C535-CFS-U	Combo	Full-Length Solid	Universal Wire
C535-CFS-L	Combo	Full-Length Solid	Lip Load
C535-HFS-4	Holding	Full-Length Solid	Fixed Wire
C535-HFS-U	Holding	Full-Length Solid	Universal Wire
C535-HFS-L	Holding	Full-Length Solid	Lip Load
C535-PFS-4	Proofing	Full-Length Solid	Fixed Wire
C535-PFS-U	Proofing	Full-Length Solid	Universal Wire
C535-PFS-L	Proofing	Full-Length Solid	Lip Load

Add L for Low Watt (1440W, 12 Amp) C or H Modules.
 Ex: C539-CLDS-U



Add X for 240/220V, 50/60 Hz., single phase for Export.
 Ex: C539-CXDS-U



All Metro Catalog Sheets are available on our Web Site: www.metro.com

Metro Heated cabinets are for hot food holding applications only.



InterMetro Industries Corporation
 North Washington Street, Wilkes-Barre, PA 18705
 Phone: 570-825-2741 • Fax: 570-825-2852
 For Product Information Call: 1-800-433-2232

L03-270
 Printed in U.S.A. 10/07
 Information and specifications are subject to change without notice. Please confirm at time of order.
 Copyright © 2007 InterMetro Industries Corp.