



*SERVING THE FOOD INDUSTRY SINCE 1951*

## HOT FOOD MERCHANDISERS

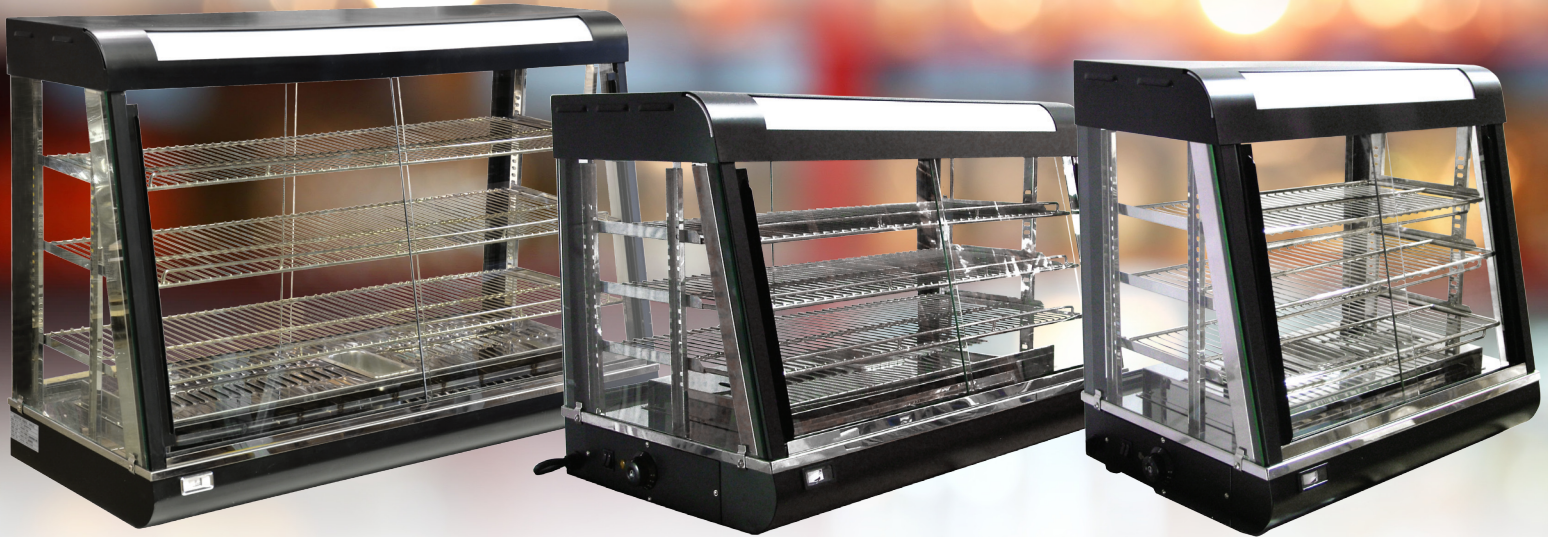
**ITEM: 21749**  
**MODEL: DW-CN-0686**

**ITEM: 21570**  
**MODEL: DW-CN-0902**

**ITEM: 21571**  
**MODEL: DW-CN-1194**

### **INCREASE YOUR IMPULSE SALES BY DISPLAYING YOUR FOOD HOT AND FRESH**

- Perfect for concession stands, convenience stores, cafeterias, and other self-serve applications
- Designed with adjustable trays and glass on all sides
- Equipped with a thermostat monitor for consistent temperatures
- Water tray included to add humidity to the cabinet
- Opens front and back



**WARRANTY**  
PARTS AND LABOR



SHIPPED ON PALLET

**LOCALLY**  
**QPS**  
**APPROVED**



NEMA  
5 - 15  
125 VAC / 15 AMP



Authorized Dealer

# FOOD EQUIPMENT

27-INCH HOT FOOD MERCHANDISER DW-CN-0686 / ITEM 21749



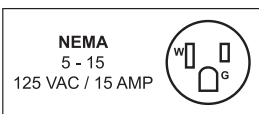
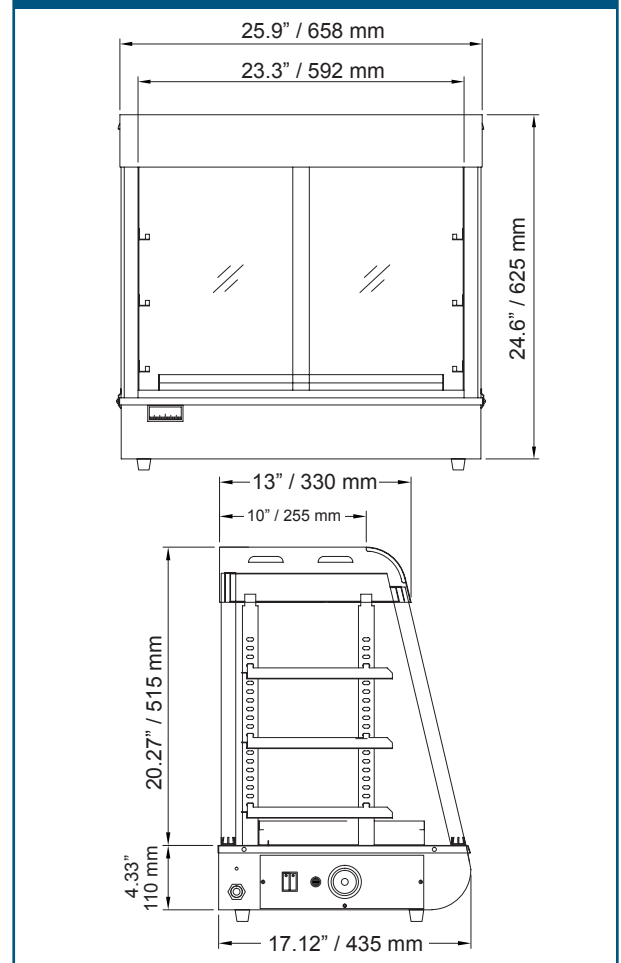
## FEATURES

- Designed with adjustable trays and glass on all sides
- Equipped with a thermostat monitor for consistent temperatures
- Water tray included to add humidity to the cabinet
- Opens front and back

## TECHNICAL SPECIFICATIONS

ITEM NUMBER	21749
MODEL	DW-CN-0686
POWER	1.34 kW
TEMPERATURE	30°C - 110°C / 86°F - 230°F
EXTERIOR LIGHTS	Incandescent x 2
INTERIOR LIGHTS	Fluorescent x 2
ELECTRICAL	110V / 60Hz / 1Ph
WEIGHT	81.4 lbs. / 36.9 kg.
DIMENSIONS (WDH)	25.9" x 17.12" x 24.6" 658 x 435 x 625 mm
PACKAGING WEIGHT	110 lbs. / 49.8 kg.
PACKAGING DIMENSIONS	32" x 23" x 31" 812.8 x 584.2 x 787.4 mm

## TECHNICAL DRAWING AND DIMENSIONS



## OMCAN INC.

Telephone: 1-800-465-0234

Fax: (905) 607-0234

Email: sales@omcan.com

Website: www.omcan.com



Follow us to keep up to date with the latest news and offers



2016.E.O.E

# FOOD EQUIPMENT

36-INCH HOT FOOD MERCHANDISER DW-CN-0902 / ITEM 21570



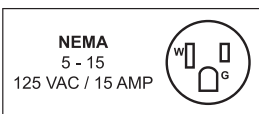
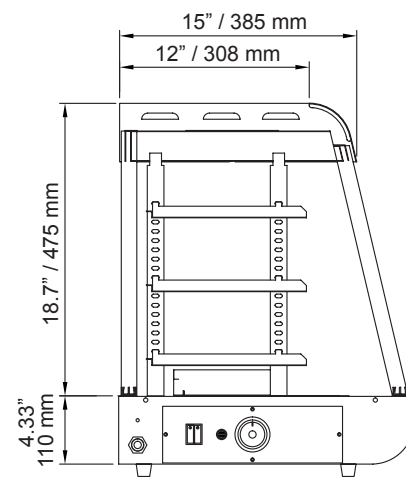
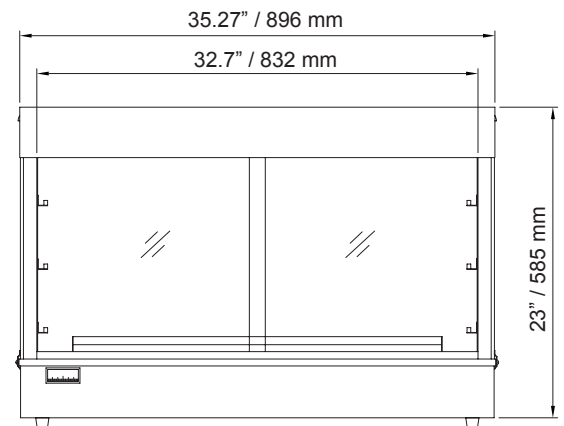
## FEATURES

- Designed with adjustable trays and glass on all sides
- Equipped with a thermostat monitor for consistent temperatures
- Water tray included to add humidity to the cabinet
- Opens front and back

## TECHNICAL SPECIFICATIONS

ITEM NUMBER	21570
MODEL	DW-CN-0902
POWER	1.50 kW
TEMPERATURE	30°C - 110°C / 86°F - 230°F
EXTERIOR LIGHTS	Incandescent x 2
INTERIOR LIGHTS	Fluorescent x 2
ELECTRICAL	110V / 60Hz / 1Ph
WEIGHT	110 lbs. / 49.8 kg.
DIMENSIONS (WDH)	35.27" x 18.75" x 23" 896 x 476.25 x 585 mm
PACKAGING WEIGHT	140 lbs. / 63.5 kg.
PACKAGING DIMENSIONS	40" x 23.75" x 28.75" 1016 x 603.25 x 730.25 mm

## TECHNICAL DRAWING AND DIMENSIONS



## OMCAN INC.

Telephone: 1-800-465-0234

Fax: (905) 607-0234

Email: sales@omcan.com

Website: www.omcan.com



Follow us to keep up to date with the latest news and offers



2016.E.O.E

# FOOD EQUIPMENT

47-INCH HOT FOOD MERCHANDISER DW-CN-1194 | ITEM 21571



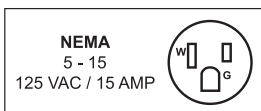
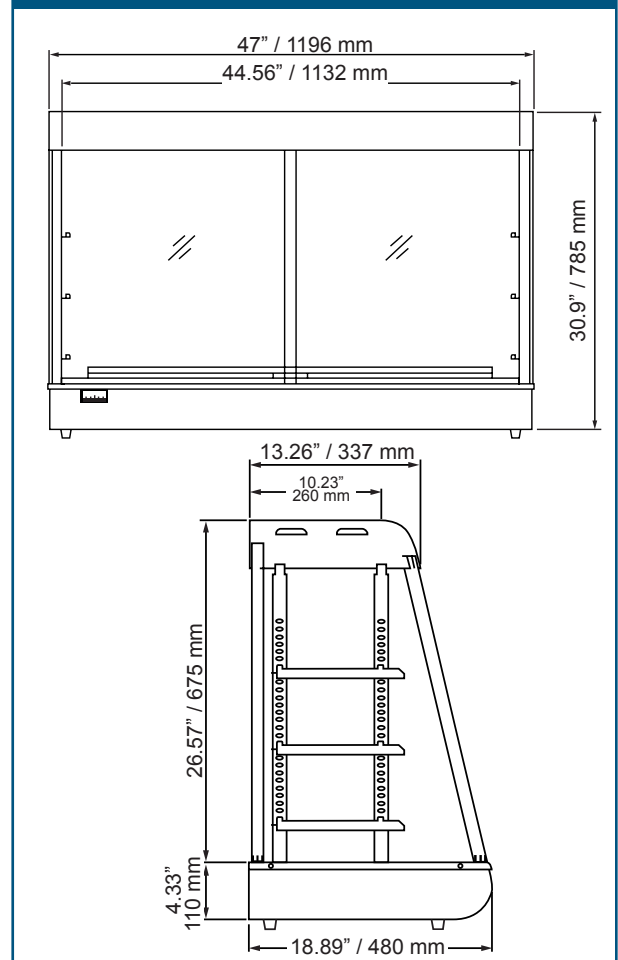
## FEATURES

- Designed with adjustable trays and glass on all sides
- Equipped with a thermostat monitor for consistent temperatures
- Water tray included to add humidity to the cabinet
- Opens front and back

## TECHNICAL SPECIFICATIONS

ITEM NUMBER	21571
MODEL	DW-CN-1194
POWER	1.50 kW
TEMPERATURE	30°C - 110°C / 86°F - 230°F
EXTERIOR LIGHTS	Incandescent x 2
INTERIOR LIGHTS	Fluorescent x 2
ELECTRICAL	110V / 60Hz / 1Ph
WEIGHT	167 lbs. / 75.7 kg.
DIMENSIONS (WDH)	47.08" x 18.89" x 30.9" 1196 x 480 x 785 mm
PACKAGING WEIGHT	213 lbs. / 96.6 kg.
PACKAGING DIMENSIONS	52" x 26" x 36" 1320.8 x 660.4 x 914.4

## TECHNICAL DRAWING AND DIMENSIONS



## OMCAN INC.

Telephone: 1-800-465-0234

Fax: (905) 607-0234

Email: sales@omcan.com

Website: www.omcan.com



Follow us to keep up to date with the latest news and offers



2016.E.O.E