

UNDERCOUNTER REFRIGERATORS

UNIQUE ENERGY SAVING DESIGN



MUR-28



MUR-36



MUR-48



MUR-60



MUR-72

≡ FEATURES & BENEFITS ≡

■ STAINLESS STEEL CABINET CONSTRUCTION

The Turbo Air M3 model boasts a stainless steel exterior (galvanized steel back and bottom). Interior is stainless steel floor with AL sides and back. It guarantees the utmost in cleanliness and long product life. It can add a touch of style to the most refined setting.

■ HOT GAS CONDENSATE SYSTEM

Through Turbo Air's creative innovation, the condensate system surfaces have been specially treated to resist corrosion. This not only increases efficiency without the risk of refrigerant leakage from corrosion, but also prevents the overflow of condensate water.

■ EFFICIENT REFRIGERATION SYSTEM

M3's solid door refrigerators are designed with oversized and balanced (CFC Free R-134A) refrigeration systems. These include efficient evaporators and condensers for faster cooling and greater efficiency.

■ HIGH-DENSITY POLYURETHANE INSULATION

The entire cabinet structure and solid doors are foamed-in-place using high density, CFC free polyurethane insulation.

■ ERGONOMICALLY DESIGNED DOORS

Customers' fatigue fades away with easy grip handles and doors that open effortlessly. These features along with self-closing doors make this the ultimate choice in customer convenience. ABS sheet door liners resist water condensation with thermal efficiency.

■ ADJUSTABLE, HEAVY DUTY, PE (POLYETHYLENE) COATED WIRE SHELVES

■ MAGNETIC DOOR GASKETS

Magnetic door gaskets are of one piece construction, removable without tools for ease of cleaning and replacement.

■ REFRIGERATOR HOLDS 33°F ~ 38°F FOR THE BEST IN FOOD PRESERVATION

Model	Swing Door	CU./FT.	#of Shelves	HP	AMPS	Crated Weight (lbs.)	L x D* x H† (inches)
MUR-28	1	7	1	1/5	3.3	163	27 1/2 x 30 x 30
MUR-36	2	9.5	2	1/4	6.6	199	36 1/4 x 30 x 30
MUR-48	2	12	2	1/3	6.5	246	48 1/4 x 30 x 30
MUR-60	2	16	2	1/3	8.9	282	60 1/4 x 30 x 30
MUR-72	3	19	3	1/2	9.9	352	72 5/8 x 30 x 30

*Depth does not include 1" for rear spacers. † Height does not include 5-7/8" for caster height.

MUR MODELS SPECIFICATIONS

ELECTRICAL DATA	MUR-28	MUR-36	MUR-48	MUR-60	MUR-72
Voltage	115/60/1	115/60/1	115/60/1	115/60/1	115/60/1
Plug Type	Ⓜ NEMA-5-15P	Ⓜ NEMA-5-15P	Ⓜ NEMA-5-15P	Ⓜ NEMA-5-15P	Ⓜ NEMA-5-15P
Full Load Amperes	3.3	6.6	6.5	8.9	9.9
Compressor HP	1/5	1/4	1/3	1/3	1/2
Cord Length ft.	9	9	9	9	9
Refrigerant	R-134A	R-134A	R-134A	R-134A	R-134A
DIMENSIONAL DATA					
Net Capacity cu. ft.	7	9.5	12	16	19
Ext. Length Overall in.	27 ¹ / ₂ (699mm)	36 ¹ / ₄ (921mm)	48 ¹ / ₄ (1226mm)	60 ¹ / ₄ (1530mm)	72 ⁵ / ₈ (1844mm)
Ext. Depth Overall in.*	30 (762mm)	30 (762mm)	30 (762mm)	30 (762mm)	30 (762mm)
Ext. Height Overall in.†	30 (762mm)	30 (762mm)	30 (762mm)	30 (762mm)	30 (762mm)
# of Doors	1	2	2	2	3
# of Shelves	1	2	2	2	3
Gross Weight lbs.	163	199	246	282	352
Net Weight lbs.	146	184	229	260	303

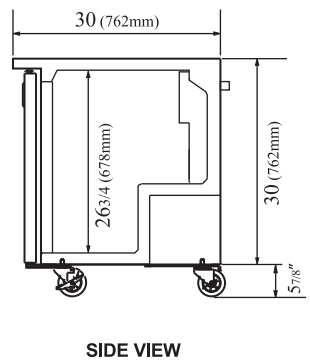
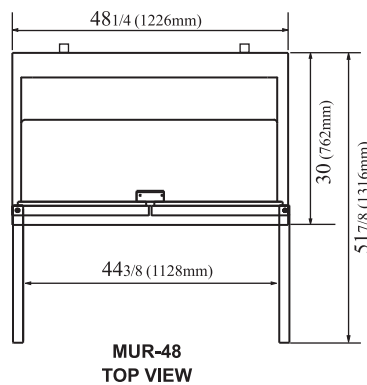
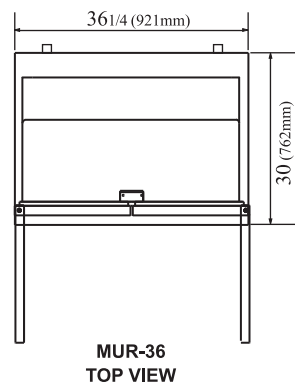
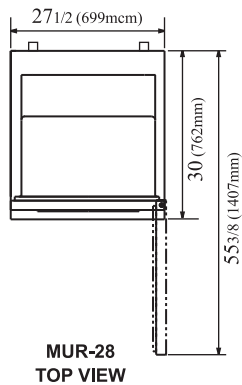
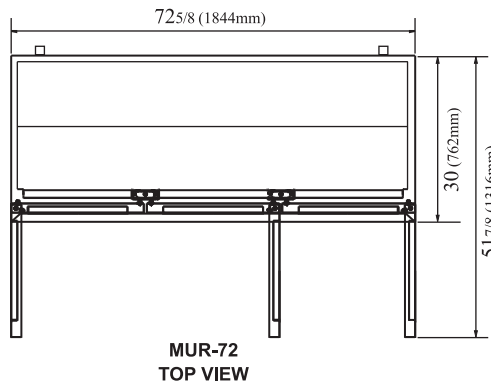
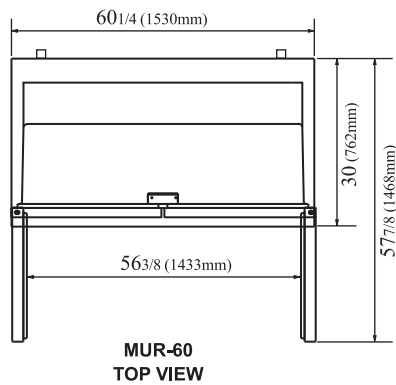
Design and specifications subject to change without notice.

Actual shipping weight may differ due to extra packing materials for product protection.

*Depth does not include 1" for rear spacers. † Height does not include 5-7/8" for caster height.

■ **WARRANTY : 1 Year Parts and Labor Warranty**
Additional 4 Year Warranty on Compressor

- SELF-CONTAINED SYSTEM
- 4" SWIVEL CASTERS
- 2.5" DIA. CASTERS AVAILABLE (OPTIONAL)
- LEGS AVAILABLE FOR ALL MODELS (OPTIONAL)
- STAINLESS STEEL BACK SPLASH AVAILABLE (OPTIONAL)



(unit : inch)

PLAN VIEW