

|  |  |                   |        |
|--|--|-------------------|--------|
|  <b>REFRIGERATOR MANUFACTURER</b><br><b>Turbo air</b><br>more durable, efficient, beautiful | 4184 E. Conant St.<br>Long Beach, CA 90808<br>Tel. 310-900-1000<br>Fax. 310-900-1077<br><a href="http://www.turboairinc.com">www.turboairinc.com</a> | Project:          |        |
|  |  | Model #:          |        |
|  |  | Item #:           |        |
|  |  | Available W/H:    | Qty:   |
|  |  | Approval:         |        |
|  |  | AIA #:            | SIS #: |
|  |  | CSI Section 11400 |        |

**Back Bar** *Underbar Equipment  
Super Deluxe Series*

**Model : TBB-1SBD-N6**



**FEATURES & BENEFITS**



- **Hydrocarbon refrigerants (R-600a)**  
 With innovative and eco-friendly technology, Turbo Air brings you hydrocarbon refrigerators designed to meet DOE's Energy Conservation Standards in 2017 and to use EPA's SNAP Program approved HC refrigerants. Hydrocarbon refrigerants do not deplete the ozone layer and have very low contribution to global warming (ODP-0, GWP-3).
- **Forced air cooling system**  
 Fast cooling and balanced temperature throughout the cabinet.
- **Ergonomically designed doors**  
 Customers' fatigue fades away with easy grip handles and doors that open effortlessly. These features along with self-closing doors make this the ultimate choice in customer convenience.
- **High-density polyurethane insulation**  
 The entire cabinet structure is foamed-in-place using high density, HCFC free polyurethane insulation.
- **Stainless steel countertop and interior**  
 The exterior of the cabinet is constructed with heavy gauge reinforced stainless steel countertop and wear-resistant black vinyl coated galvanized steel. The interior is painted galvanized steel with reinforced stainless steel floor. Turbo Air Back Bar model guarantees the utmost in cleanliness and long product life. It also adds a touch of style to the most refined setting.
- **LED interior lighting**
- **Adjustable, heavy duty, PE (polyethylene) coated wire shelves**
- **Refrigerator holds 33°F ~ 38°F for the best in beverage preservation**



| Model              | Swing Door | CU./FT.     | 1/2 Barrels | #of Shelves | HP         | AMPS       | Crated Weight (lbs.) | L x D x H† (inches)          |
|--------------------|------------|-------------|-------------|-------------|------------|------------|----------------------|------------------------------|
| <b>TBB-1SBD-N6</b> | <b>1</b>   | <b>7.76</b> | <b>1</b>    | <b>2</b>    | <b>1/8</b> | <b>1.3</b> | <b>212</b>           | <b>235/8 x 293/4 x 341/2</b> |

Ver.20210317 Printed in U.S.A. \* Depth does not include 3/8" for door handle. Depth does not include 2-3/8" for rear spacers. † Height does not include 4-7/8" for caster height.

## Model : TBB-1SBD-N6

| ELECTRICAL DATA            |  |      |
|----------------------------|--|------|
| Voltage                    | 115/60/1   |      |
| Plug Type                  |  NEMA 5-15P |      |
| Full Load Amperes          | 1.3  |      |
| Compressor HP              | 1/8  |      |
| Refrigerant                | R-600a   |      |
| Cord Length (ft.)          | 8.5  |      |
| Lamp (W)                   | 6.5  |      |
| DIMENSIONAL DATA           |  |      |
| Capacity                   | 1/2 Barrels  | 1    |
|                            | cu. ft.  | 7.76 |
| Ext. Length Overall (in.)  | 23 <sup>5</sup> / <sub>8</sub> (600mm)   |      |
| Ext. Depth Overall (in.)*  | 29 <sup>3</sup> / <sub>4</sub> (756mm)   |      |
| Ext. Height Overall (in.)† | 34 <sup>1</sup> / <sub>2</sub> (875mm)   |      |
| # of Swing Door            | 1  |      |
| # of Shelves               | 2  |      |
| Shelf size (L x D) (in.)   | 18 <sup>1</sup> / <sub>2</sub> x 19 <sup>1</sup> / <sub>2</sub>                              |      |
| # of Casters               |  4EA       |      |
| Net Weight (lbs.)          | 190  |      |
| Gross Weight (lbs.)        | 212  |      |

Design and specifications subject to change without notice.

Actual shipping weight may differ due to extra packing materials for product protection.

\* Depth does not include 3/8" for door handle. Depth does not include 2-3/8" for rear spacers.

† Height does not include 4-7/8" for caster height.

■ **WARRANTY : 3 Year Parts and Labor Warranty**  
Additional 4 Year Warranty on Compressor

### ■ STANDARD FEATURES

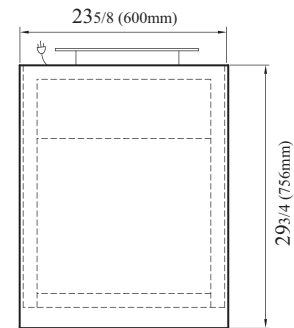
- Anti-corrosion coated evaporator
- Self-contained system
- 4" dia. swivel casters with locks on the front set
- Door locks standard

### ■ OPTIONAL ACCESSORIES

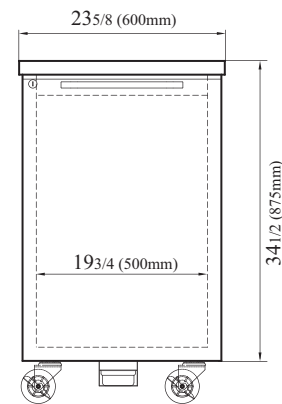
- Additional PE coated wire shelf: P0178D0100
- 6" adjustable stainless steel leg: P0121P0100

## PLAN VIEW

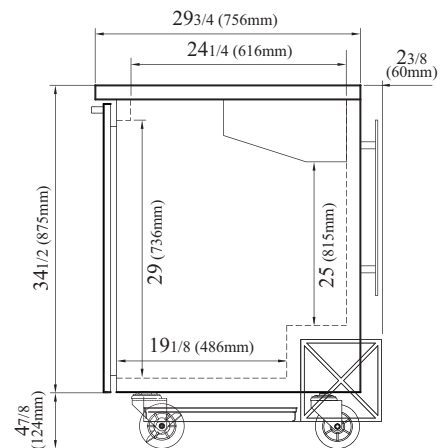
(unit : inch)



TOP VIEW



FRONT VIEW



SIDE VIEW

Ver.20210317



- Turbo Air : 800-627-0032
- GK : 800-500-3519
- Warranty : 800-381-7770
- AC : 888-900-1002

