

G-19 GRIDDLE

G-19 GRIDDLE



G-19

Wells Griddle G-19 is ideal for any kitchen based on its versatile, easy-to-use design. In addition to the standard grill surface there are two options to choose from, grooved or chrome-plated. The two positive-off thermostats allow individual zone control. The oversize grease drawer is easily removable for cleaning.

Features

- Each individual thermostat controls a seventeen-inch wide cooking surface.
- Enclosed tubular elements are clamped onto the griddle plate to provide even heat distribution over the entire surface.
- Splashguard makes clean-up easier by preventing grease and food products from leaving the cooking area.
- An extra-large, removable, front-grease drawer has a capacity of four quarts.
- Controls are front-mounted with a protective guard ring to help prevent accidental temperature changes.
- A terminal block is provided for field connection to the main power supply.
- The G-19 Griddle is Underwriters Laboratories, Inc. LISTED and meets the National Sanitation Foundation and Canadian standards.
- A one-year warranty against defects covers parts and labor.

Accessories / Options

- Chrome-plated griddle surface, 50 microns thick
- Grooved griddle surface, 3/4-inch thick ribbed steel plate that allows for the "branding" of meat products

Specifications

Overall Dimensions:	Inches	MM
Width	36 1/2	927
Depth	23 9/16	598
Height	16	406

(incl. 4" legs & splashguard)

Grid Surface Dimensions:	Inches	MM
Width	34 1/4	870
Depth	18 5/16	465
Area	625 in ²	.40 m ²

Temperature Range:	Fahrenheit	Celsius
G-19	200° to 450°	93° to 232°

Number of Thermostats:	2
------------------------	---

Pre-Heat Time to 400° F:	9 minutes
--------------------------	-----------

Watts Per Hour to Maintain 400° F:	1,700
------------------------------------	-------

Typical Production:	Per Load	Per Hour
Hamburgers	48	720
Steaks	18	220
Pancakes*	35	500
Eggs*	45	675

* Not applicable to grooved surface

Weights:	Lbs.	KG
Installed	159	72
Shipping	190	86

Export

The following models are available for export and meet the standards for CE:

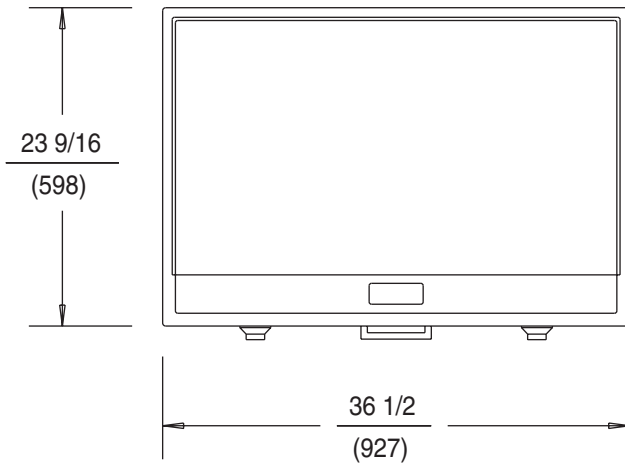
- G-19EU, 19MM-thick plate, 380-415V, 3NAC, 16.1 KW, 50° to 275° C thermostats, shipping weight is 86 KG
- PG-19EU, chrome plate 19MM-thick plate, 380-415V, 3NAC, 16.1 KW, 50° to 275° C thermostats, shipping weight is 102 KG



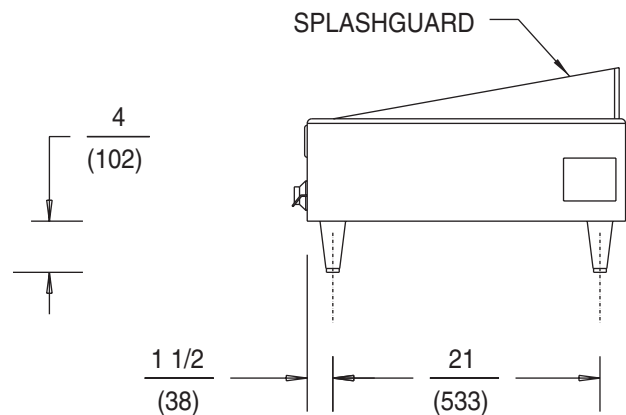
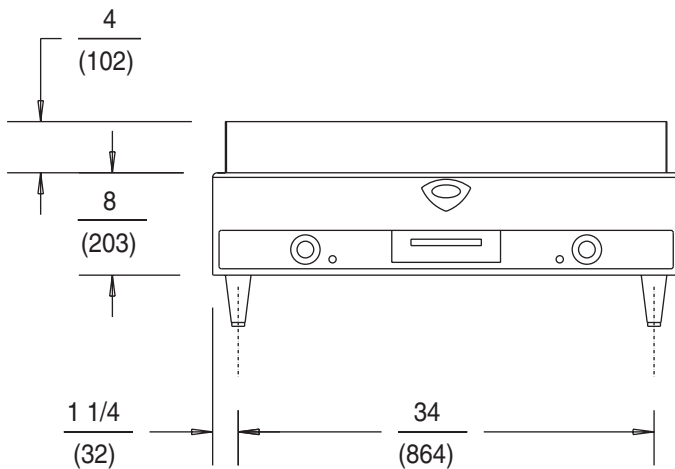


MODEL G-19 GRIDDLE

DIMENSIONS:



MINIMUM CLEARANCE REQUIRED FROM UNIT TO THE NEAREST COMBUSTIBLE OBJECT.			
BACK	SIDE	BOTTOM	TOP
$\frac{1}{1}$	$\frac{1}{1}$	$\frac{4}{4}$	$\frac{NA}{NA}$
(25)	(25)	(102)	NA



G-19 ELECTRICAL SPECIFICATIONS:

MODELS	VOLTS	WATTS	AMPS PER LINE PHASE 3				AMPS SINGLE PHASE	POWER SUPPLY CORD
			L1	L2	L3	N		
G-19	208	12000	28.8	49.9	28.8	NA	57.6	NONE
G-19	240	12000	25.0	43.3	25.0	NA	50.0	NONE
G-19EU	380-415	16100	22.5	22.5	22.5	0	NA	NONE
G-19	480	12000	12.5	NA	25.0	NA	25.0	NONE

Denotes export (EU) products.

NOTE: Specifications are subject to change without notice.

WELLS MANUFACTURING COMPANY

2 ERIK CIRCLE, PO BOX 280, VERDI, NV 89439 U.S.A. • USA PHONE: (775) 689-5700 • FAX: (775) 689-5972

FOR ORDERS ONLY: (888) 356-5362 • FAX: (800) 356-5142 • www.wellsbloomfield.com

A SPECIALTY EQUIPMENT COMPANY • 2000 WELLS MANUFACTURING • PRINTED IN THE U.S.A. • 7/00 • REV(G) • PART NO. 38855

