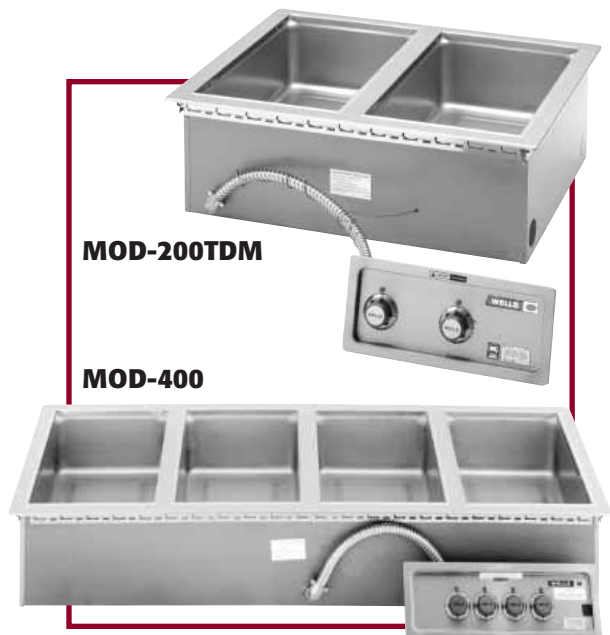


BUILT-IN MODULAR WARMERS

BUILT-IN MODULAR WARMERS



Features

- **Individual controls** on each well give the warmers maximum versatility.
- **Wellslok** allows for quick and easy installation in stainless steel countertops.
- Designed for **wet or dry operation**.
- **Fully insulated** for greater efficiency.
- **Thermostat (T) models** with higher wattage provide more accurate temperature control.
- **Each well is one-piece, deep-drawn, stainless steel construction** for maximum strength and durability.
- **The MOD series Warmers** are Underwriters Laboratories, Inc. LISTED and meet the National Sanitation Foundation and Canadian standards.
- **A one-year warranty** against defects covers parts and labor.

Specifications

Weights:	Lbs.	KG
MOD-100 series:		
Installed	19	9
Shipping	21	10
MOD-200 series:		
Installed	46	21
Shipping	56	25
MOD-300 series:		
Installed	64	29
Shipping	78	35
MOD-400 series:		
Installed	81	37
Shipping	98	44
MOD-500 series:		
Installed	101	46
Shipping	122	55

Explanation of Built-In Warmer Suffixes:

- D with drain
- T thermostatically controlled
- TD thermostatically controlled/with drain
- DM with drain/connected to drain manifold/
infinite control
- TDM thermostatically controlled/with drain/
connected to drain manifold
- None infinite control

Accessories / Options

Wellslok Extension Kit, designed for installation in a variety of countertops up to 1" thick, refer to installation instructions, 22593

Drain Valve Extension Kit, extension from drain to counter front with remote handle, for use with "D" models only, excluding "DM" models, 20385

Drain Screen, 21709

Optional 72" Wiring, infinite or thermostatically controlled warmers, priced per well

Individual drain (D), for all models

Individual thermostat (T), for all models

Individual drain connected to the manifold (DM), for all models except MOD-100

Individual thermostat and drain connected to the manifold(TDM), for all models except MOD-100

Export

The following models are available for export and meet the standards for CE:

- MOD-100EUT, 220-240V, 1Ø, 1650 watts
- MOD-100EUTD, 220-240V, 1Ø, 1650 watts

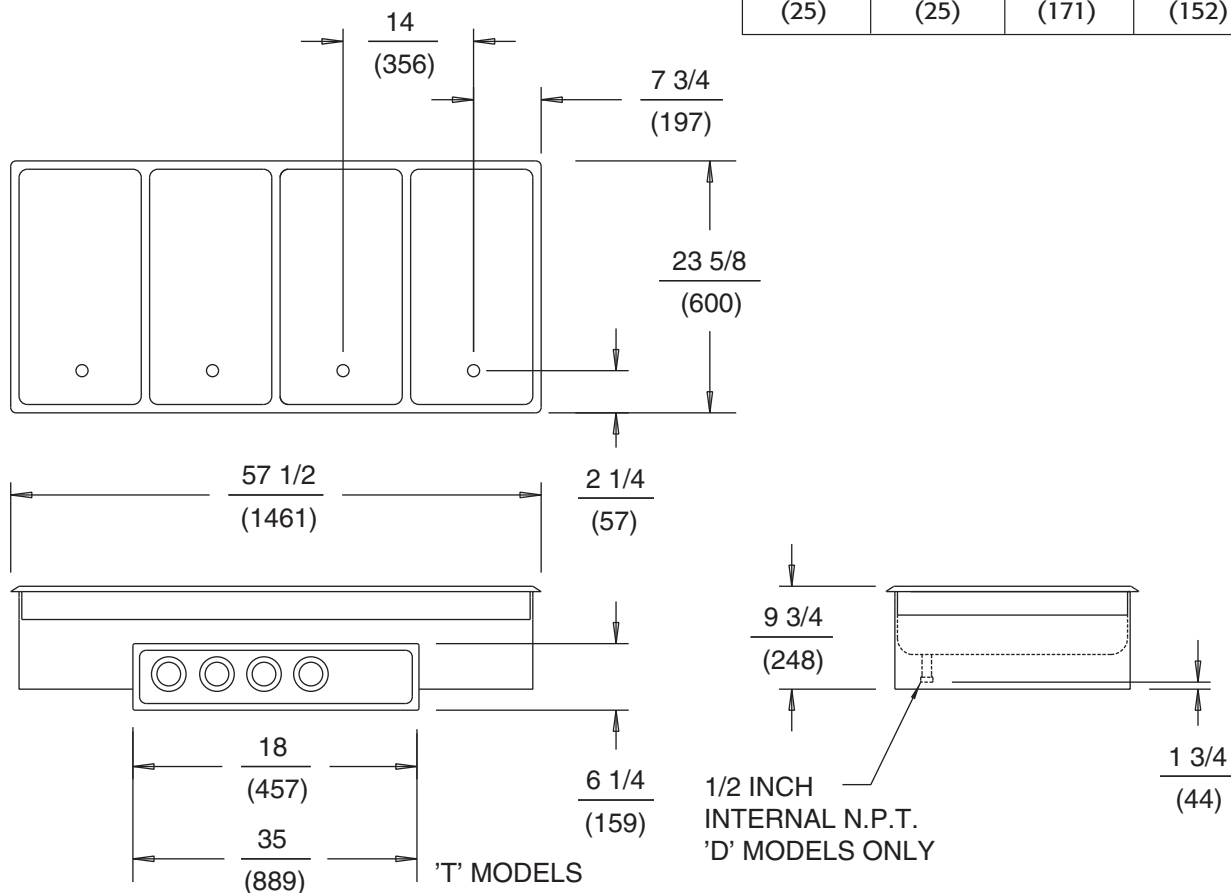




MODELS
MOD-400, MOD-400D
MOD-400T, MOD-400TD
MOD-400DM, MOD-400TDM
BUILT-IN MODULAR WARMERS

DIMENSIONS:

$\frac{\text{INCH}}{\text{(MM)}}$



MINIMUM CLEARANCE REQUIRED FROM UNIT TO THE NEAREST SURFACE.			
BACK	SIDE	BOTTOM	FRONT
$\frac{1}{(25)}$	$\frac{1}{(25)}$	$\frac{6 \ 3/4}{(171)}$	$\frac{6}{(152)}$

MOD-400, MOD-400D, MOD-400T, MOD-400TD, MOD-400DM AND MOD-400TDM ELECTRICAL SPECIFICATIONS:

MODELS	VOLTS	WATTS	AMPS PER LINE PHASE 3			AMPS SINGLE PHASE	POWER SUPPLY CORD
			L1	L2	L3		
MOD-400	208	3600	11.2	11.2	7.5	17.3	NONE
MOD-400	240	4800	13.0	13.0	8.7	20.0	NONE
MOD-400T	208	4960	14.5	14.5	9.8	23.8	NONE
MOD-400T	240	6600	17.8	17.8	11.3	27.5	NONE

All models with a 'D' or 'DM' suffix have the same electrical specs as the standard MOD-400 or MOD-400T models.

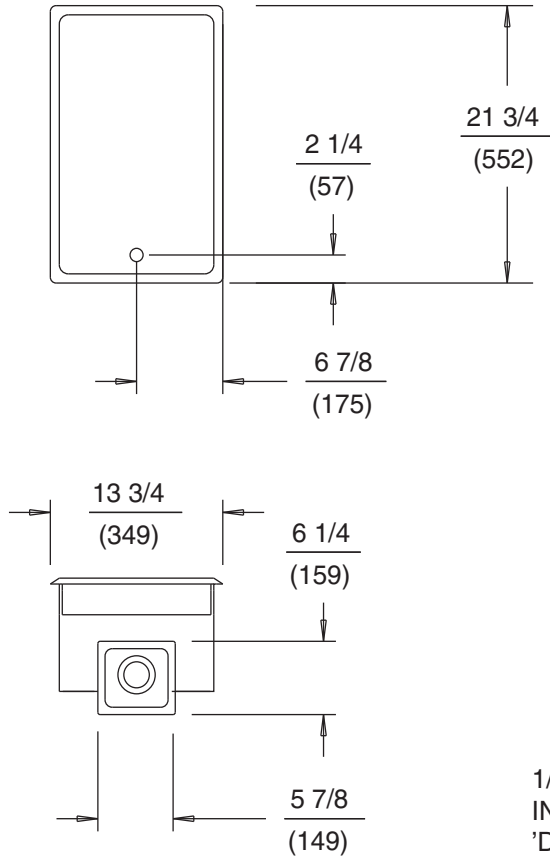
NOTE: Specifications are subject to change without notice. See installation instruction sheet prior to installing the unit. This document is not for installation purposes. The Drain Manifold with Valve (1" internal N.P.T.) is supplied for DM & TDM models only.





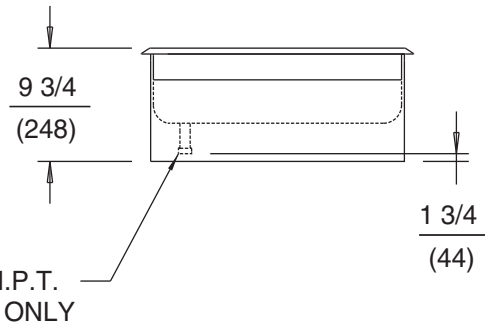
**MODELS
MOD-100, MOD-100D
MOD-100T, MOD-100TD
BUILT-IN MODULAR WARMERS**

DIMENSIONS: INCH
 (MM)



MINIMUM CLEARANCE REQUIRED FROM UNIT TO THE NEAREST SURFACE.

BACK	SIDE	BOTTOM	FRONT
1 (25)	1 (25)	6 3/4 (171)	4 1/8 (105)



**MOD-100, MOD-100D, MOD-100T AND MOD-100TD
ELECTRICAL SPECIFICATIONS:**

MODELS	VOLTS	WATTS	AMPS	PHASE	POWER SUPPLY CORD
MOD-100	120	1200	10.0	SINGLE	NONE
MOD-100	208	900	4.3	SINGLE	NONE
MOD-100	240	1200	5.0	SINGLE	NONE
MOD-100T	120	1650	13.8	SINGLE	NONE
MOD-100T	208	1240	6.0	SINGLE	NONE
MOD-100T	240	1650	6.9	SINGLE	NONE
● MOD-100EUT	220-240	1650	6.9	SINGLE	NONE

All models with a 'D' or 'DM' suffix have the same electrical specs as the standard MOD-100 or MOD-100T models.

● Denotes export (EU) products.

NOTE: Specifications are subject to change without notice. See installation instruction sheet prior to installing the unit. This document is not for installation purposes.



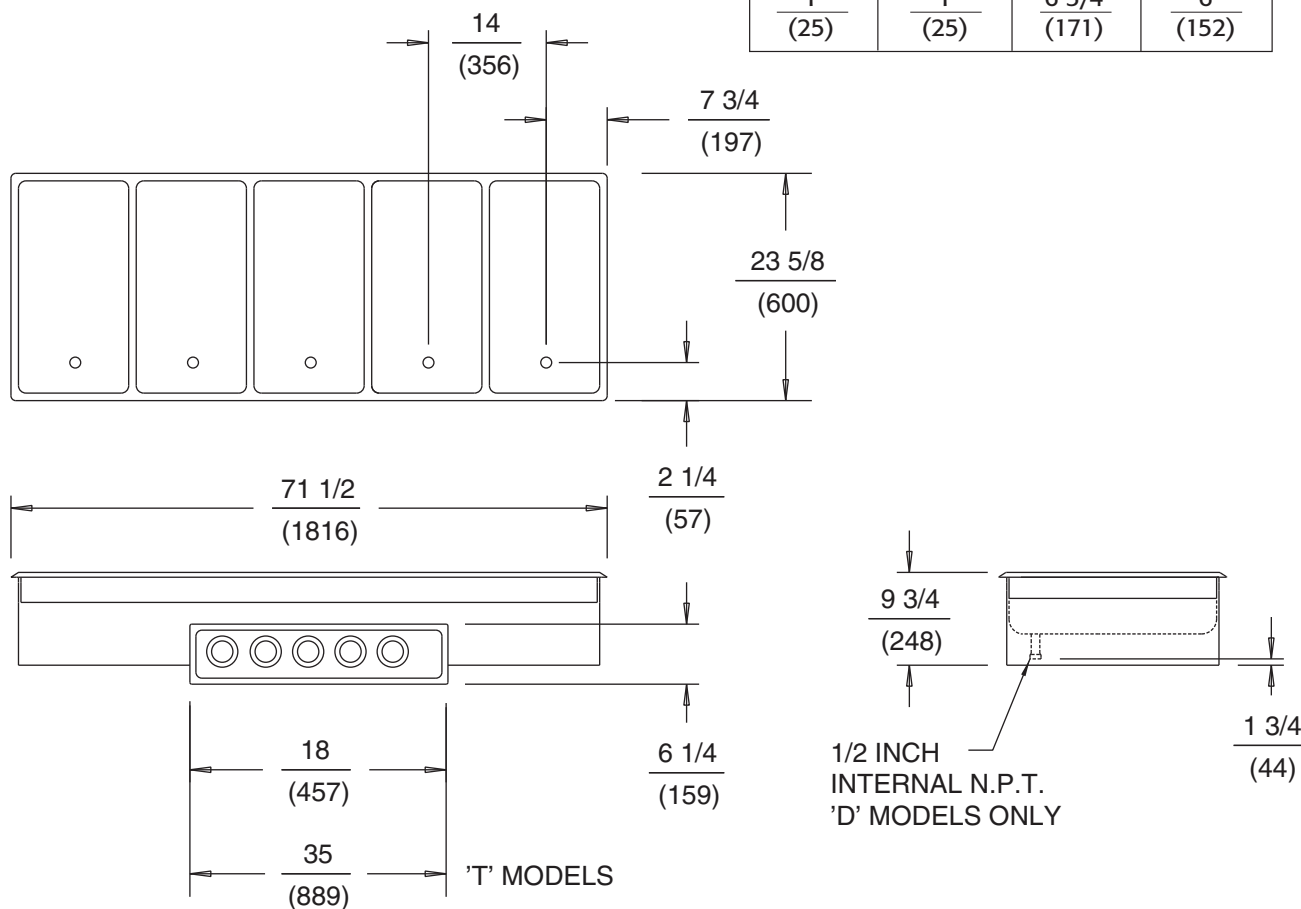


MODELS MOD-500, MOD-500D MOD-500T, MOD-500TD MOD-500DM, MOD-500TDM BUILT-IN MODULAR WARMERS

DIMENSIONS: INCH
 (MM)

MINIMUM CLEARANCE REQUIRED FROM UNIT TO THE NEAREST SURFACE.

BACK	SIDE	BOTTOM	FRONT
$\frac{1}{1}$ (25)	$\frac{1}{1}$ (25)	$\frac{6 \frac{3}{4}}{171}$ (171)	$\frac{6}{6}$ (152)



MOD-500, MOD-500D, MOD-500T, MOD-500TD, MOD-500DM AND MOD-500TDM ELECTRICAL SPECIFICATIONS:

MODELS	VOLTS	WATTS	AMPS PER LINE PHASE 3			AMPS SINGLE PHASE	POWER SUPPLY CORD
			L1	L2	L3		
MOD-500	208	4500	15.0	11.2	11.2	21.6	NONE
MOD-500	240	6000	17.0	13.0	13.0	25.0	NONE
MOD-500T	208	6200	19.5	14.6	14.6	29.8	NONE
MOD-500T	240	8250	22.1	16.9	16.9	34.4	NONE

All models with a 'D' or 'DM' suffix have the same electrical specs as the standard MOD-500 or MOD-500T models.

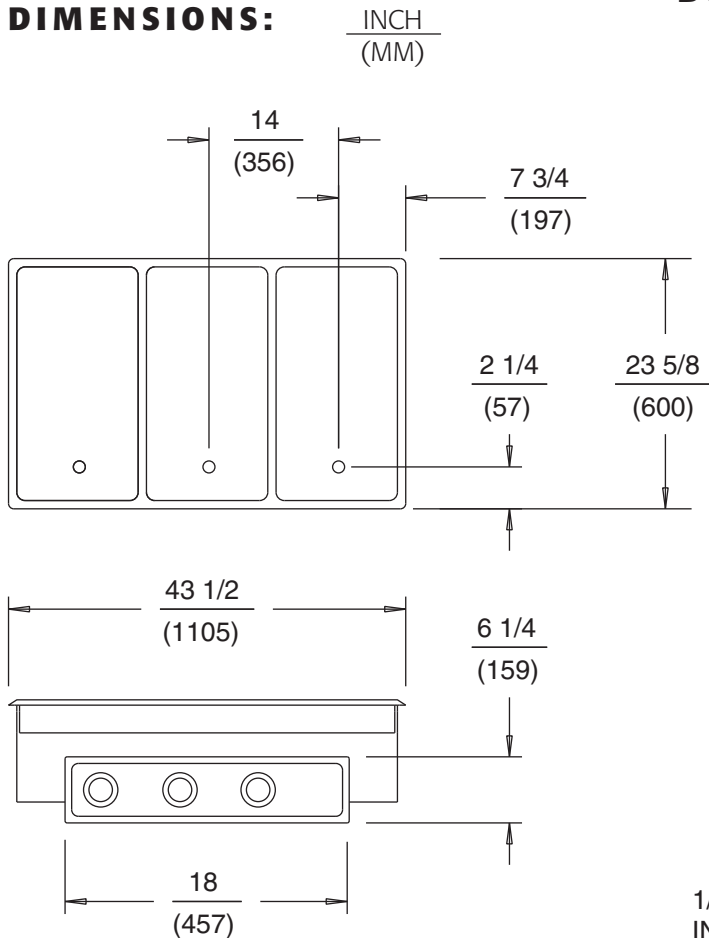
NOTE: Specifications are subject to change without notice. See installation instruction sheet prior to installing the unit. This document is not for installation purposes. The Drain Manifold with Valve (1" internal N.P.T.) is supplied for DM & TDM models only.



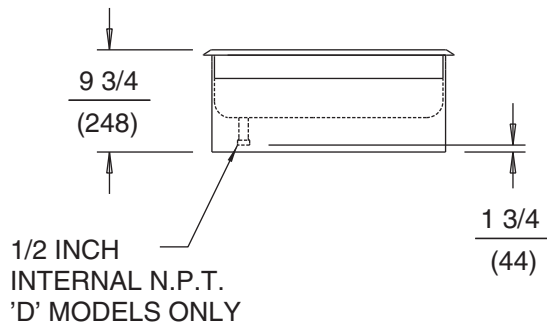


**MODELS
MOD-300, MOD-300D
MOD-300T, MOD-300TD
MOD-300DM, MOD-300TDM
BUILT-IN MODULAR WARMERS**

DIMENSIONS:



MINIMUM CLEARANCE REQUIRED FROM UNIT TO THE NEAREST SURFACE.			
BACK	SIDE	BOTTOM	FRONT
1 (25)	1 (25)	6 3/4 (171)	4 1/8 (105)



MOD-300, MOD-300D, MOD-300T, MOD-300TD, MOD-300DM AND MOD-300TDM ELECTRICAL SPECIFICATIONS:

MODELS	VOLTS	WATTS	AMPS PER LINE PHASE 3			AMPS SINGLE PHASE	POWER SUPPLY CORD
			L1	L2	L3		
MOD-300	208	2700	7.5	7.5	7.5	13.0	NONE
MOD-300	240	3600	8.7	8.7	8.7	15.0	NONE
MOD-300T	208	3720	10.3	10.3	10.3	17.9	NONE
MOD-300T	240	4950	11.9	11.9	11.9	20.6	NONE

All models with a 'D' or 'DM' suffix have the same electrical specs as the standard MOD-300 or MOD-300T models.

NOTE: Specifications are subject to change without notice. See installation instruction sheet prior to installing the unit. This document is not for installation purposes. The Drain Manifold with Valve (1" internal N.P.T.) is supplied for DM & TDM models only.

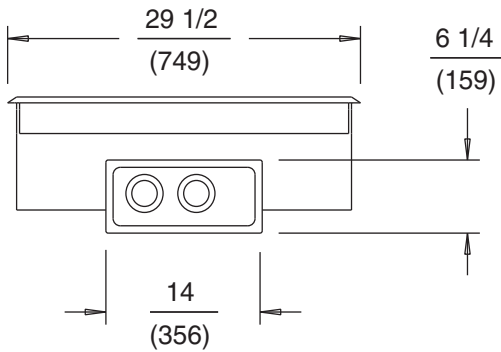
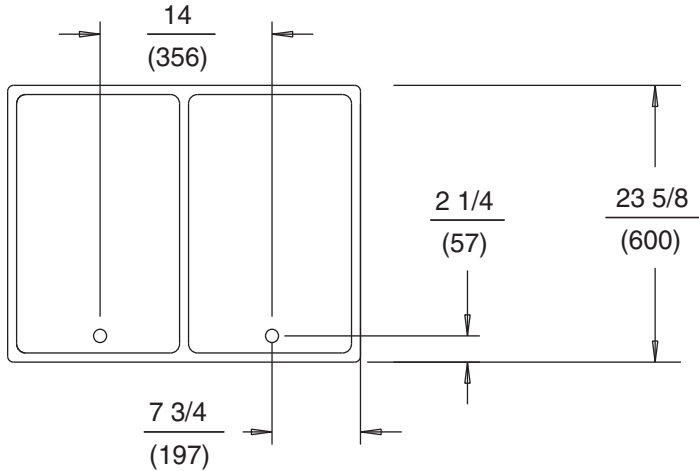




**MODELS
MOD-200, MOD-200D
MOD-200T, MOD-200TD
MOD-200DM, MOD-200TDM
BUILT-IN MODULAR WARMERS**

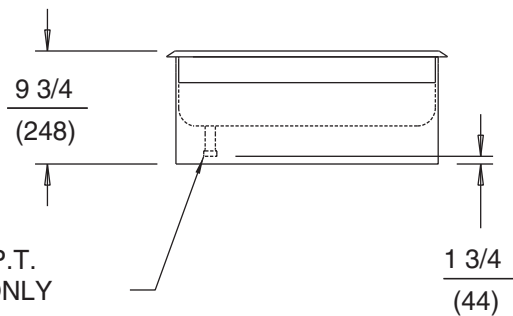
DIMENSIONS:

$\frac{\text{INCH}}{\text{(MM)}}$



MINIMUM CLEARANCE REQUIRED FROM UNIT TO THE NEAREST SURFACE.

BACK	SIDE	BOTTOM	FRONT
$\frac{1}{(25)}$	$\frac{1}{(25)}$	$\frac{6\ 3/4}{(171)}$	$\frac{4\ 1/8}{(105)}$



**MOD-200, MOD-200D, MOD-200T, MOD-200TD,
MOD-200DM AND MOD-200TDM ELECTRICAL SPECIFICATIONS:**

MODELS	VOLTS	WATTS	AMPS	PHASE	POWER SUPPLY CORD
MOD-200	208	1800	8.7	SINGLE	NONE
MOD-200	240	2400	10.0	SINGLE	NONE
MOD-200T	208	2480	11.9	SINGLE	NONE
MOD-200T	240	3300	13.8	SINGLE	NONE

All models with a 'D' or 'DM' suffix have the same electrical specs as the standard MOD-200 or MOD-200T models.

NOTE: Specifications are subject to change without notice. See installation instruction sheet prior to installing the unit. This document is not for installation purposes. The Drain Manifold with Valve (1" internal N.P.T.) is supplied for DM & TDM models only.

