



Project:

Item Number:

Quantity:

**AFFORDABLE PORTABLE™ – 3 AND 4 WELL HOT FOOD STATION**



4-Well Hot with Buffet Breath Guard



4-Well Hot with Cafeteria Breath Guard

Affordable Portable™ Hot Food Stations

**DESCRIPTION & FEATURES**

- Vollrath Affordable Portable™ hot food stations are constructed of vinyl-clad, 20-gauge carbon steel.
- High-density glass fiber insulation.
- Standard models include Buffet breath guards.
- The hot food stations are available in four versatile colors: granite, walnut woodgrain, black and cherry woodgrain.
- Countertops are manufactured from 20-gauge stainless steel.
- Two locking casters included.
- Spillage pans required. Order separately.
- Dial controls.
- **Affordable Portable™ orders cannot be canceled or returned.**

**Lighting (requires buffet breath guard, bulbs not included)**

- Factory-installed option
- 120V or 120/208-240V
- Heat lamp bulbs (order separately)

Item	Description
72242	White, 250W
72241	Red, 250W

**AGENCY CERTIFICATIONS**



Due to continued product improvement, please consult [www.vollrathco.com](http://www.vollrathco.com) for current product specifications.

**MODELS**

Description	Black	Walnut Woodgrain	Granite	Cherry Woodgrain
<b>3 Well Hot Food Station - 120V</b>				
Solid base <sup>1</sup>	38707	38935	38727	38767
Solid w/lights <sup>2</sup>	3870746	3893546	3872746	3876746
Open Storage <sup>1</sup>	38708	38936	38728	38768
Open w/lights <sup>2</sup>	3870846	3893646	3872846	3876846
Storage w/door <sup>1</sup>	38709	38937	38729	38769
Storage w/door, w/lights <sup>2</sup>	3870946	3893746	3872946	3876946
Cafeteria unit <sup>1,3</sup>	39707	39935	39727	39767
Cafeteria unit w/open storage <sup>1,3</sup>	39708	39936	39728	39768
Cafeteria unit w/storage door <sup>1,3</sup>	39909	39937	39729	39769
<b>4 Well Hot Food Station - 120V</b>				
Solid base <sup>1</sup>	38710	38945	38730	38770
Solid w/lights <sup>2</sup>	3871060	3894560	3873060	3877060
Open Storage <sup>1</sup>	38711	38946	38731	38771
Open w/lights <sup>2</sup>	3871160	3894660	3873160	3877160
Storage w/door <sup>1</sup>	38712	38947	38732	38772
Storage w/door, w/lights <sup>2</sup>	3871260	3894760	3873260	3877260
Cafeteria unit <sup>1,3</sup>	39710	39945	39730	39770
Cafeteria unit w/open storage <sup>1,3</sup>	39711	39948	39731	39771
Cafeteria unit w/storage door <sup>1,3</sup>	39712	39947	39732	39772

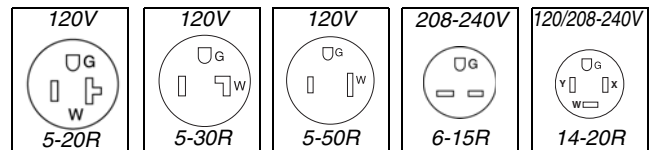
<sup>1</sup> For 208-240V without lights, add 2 to the model number.  
<sup>2</sup> For 120/208 and 120/240V with lights, add 4 to the model number.  
<sup>3</sup> Includes Cafeteria breath guard with acrylic panel.

**ELECTRICAL PLUG SPECIFICATIONS**

Incandescent lamps only (250W maximum per fixture)

Description	Volts	Amps	Receptacle	Electrical Service (A)
3-Well	120	13.1	5-20R	20
4-Well		17.5	5-30R	30
3-Well	208-240	8.8	6-15R	15
4-Well		11.7	6-15R	15
3-Well with Lights	120	19.4	5-30R	30
4-Well with Lights		25.8	5-50R	50
3-Well with Lights	120/208-240	13	14-20R	20
4-Well with Lights		15.9	14-20R	20

**RECEPTACLE CONFIGURATIONS**



<b>Approvals</b>	<b>Date:</b>

Affordable Portable™ – 3 and 4 Well Hot Food Station

The Vollrath Company, L.L.C.



Setting the Standard™

[www.vollrathco.com](http://www.vollrathco.com)

The Vollrath Company, L.L.C.  
 1236 North 18th Street  
 Sheboygan, WI 53081-3201  
 U.S.A.  
 Main Tel: 800.628-0830  
 Service Tel: 800.628.0832  
 FAX: 800.752.5620

Vollrath of Canada, Co.  
 Tel: 800.695.8560  
 FAX: 800.752.5620

# AFFORDABLE PORTABLE™ – 3 AND 4 WELL HOT FOOD STATION

## ACCESSORIES AND ADD-ONS

### Cashier Station

- Stable stainless steel work surface
- Wide enough for almost any register or terminal
- Open base and bottom shelf for extra storage
- Cash drawer not available
- Unit depth: 24" (61 cm)



Description	Dimensions (LxH) Inches (CM)	Black	Walnut Woodgrain	Granite	Cherry Woodgrain
Cashier Station	24 x 35 (60.9 x 89)	38700	38905	38720	38760

### Tray Slides and Cutting Boards

- Polyethylene cutting boards
- 300 series stainless steel tray slide
- Fold-down mounting brackets
- Cutting boards add 4" (10.2 cm) and tray slides add 5½" (14 cm) to width of unit in folded position



Tray Slide	Cutting Board	Description	Case Lot
39924	39824	Fits 24" (61 cm) Affordable Portable™	1
39946	39846	Fits 46" (117 cm) Affordable Portable™	1
39960	39860	Fits 60" (152 cm) Affordable Portable™	1

### Spillage Pans

- Stainless steel or aluminum
- Accepts standard size pans
- Can use with adaptor plates or insets
- Suitable for bulk storage



99870

Item	Description	Case Lot
99765	Standard edge stainless spillage pan	1
99780	Dripless stainless spillage pan	1
99785	Aluminum spillage pan	1

### Plate Rests

- Stainless steel
- Fold-down mounting kit
- Designed for Affordable Portable™ only
- Surface width: 7" (17.8 cm)
- Adds 4½" (11.4 cm) to width of unit in folded position



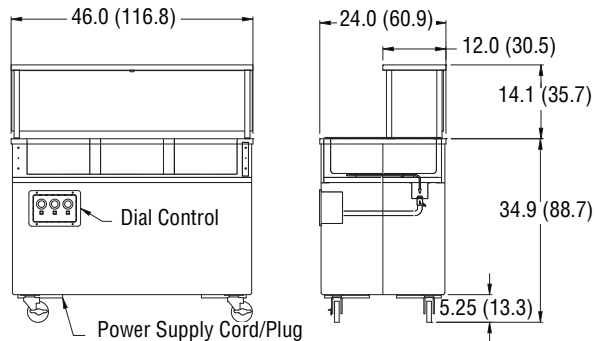
Item	Description	Case Lot
38992	24" (61 cm) plate rest with mounting kit	1
38993	46" (117 cm) plate rest with mounting kit	1
38994	60" (152 cm) plate rest with mounting kit	1

## STORAGE OPENING DIMENSIONS

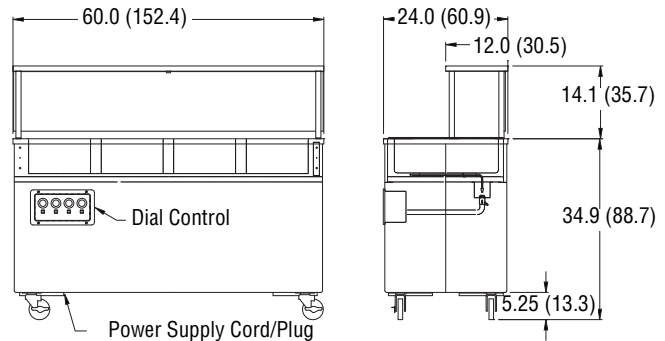
Description	Dimensions (L x W x H): IN (CM)
60" Unit	50 x 23 x 16½ (127 x 58 x 42)
46" Unit	36 x 23 x 16½ (91.5 x 58 x 42)

## HOT FOOD STATION DIMENSIONS

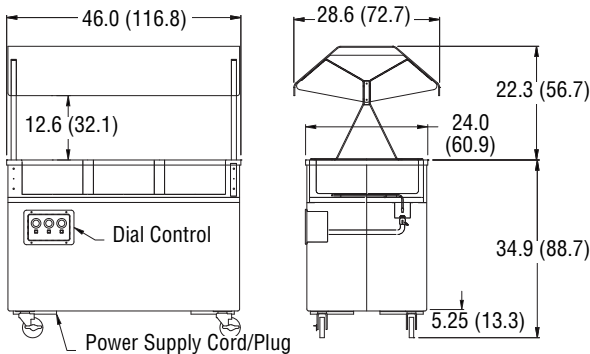
### 3 Well Hot Food Station with Cafeteria Breath Guard



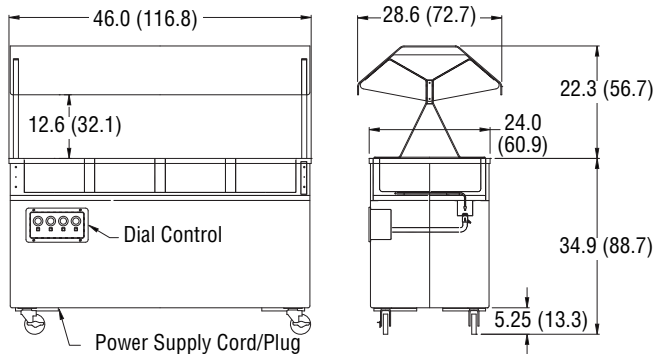
### 4 Well Hot Food Station with Cafeteria Breath Guard



### 3 Well Hot Food Station with Buffet Breath Guard



### 4 Well Hot Food Station with Buffet Breath Guard



www.vollrathco.com

The Vollrath Company, L.L.C.  
1236 North 18th Street  
Sheboygan, WI 53081-3201  
U.S.A.  
Main Tel: 800.628-0830  
Service Tel: 800.628.0832

Vollrath of Canada, Co.  
Tel: 800.695.8560  
FAX: 800.752.5620