



**Project:**

**Item Number:**

**Quantity:**

**MODULAR DROP-IN: THREE WELL HOT**



*Modular Drop-In: Three Well Hot*

**DESCRIPTION**

The modular drop-in is designed for top-mount installation and does not require hard-wiring. The drop-in comes complete with a 6-ft. (182.8 cm) power cord with plug and a 4-ft. (121.9 cm) control cord for remote installation.

Full-perimeter drip-edge contains spills and condensation within the stainless steel countertop area of the drop-in. Drip-edge adds additional strength to the flange area.

Drop-in can operate wet or dry, however, moist operation is recommended for even heating of the food product. Meets NSF4 performance standards when using moist heat.

High-density glass-fiber insulation allows zero-clearance installation and use of 625W elements for lower energy consumption and reduced costs. Also available with 1000W elements.

Stainless steel wells are 6<sup>3</sup>/<sub>8</sub>" (16.19 cm) deep to allow use of full-size and fractional pans up to 6" (15.24 cm) deep while still providing moist heat. Adaptor bars are recommended when using fractional pans.

MODELS	1000W Per Well	625W Per Well	Drain	Auto-Fill
120V Infinite Control	3640401 3640451 3640461	36404 3640450 3640460	Standard Manifold Manifold	- - Yes
120V Thermostatic Control	3640411 3640471 3640481	3640410 3640470 3640480	Standard Manifold Manifold	- - Yes
208V Infinite Control		36405 3640550 3640560	Standard Manifold Manifold	- - Yes
208V Thermostatic Control		3640510 3640570 3640580	Standard Manifold Manifold	- - Yes
208-240V Infinite Control	3640501 3640551 3640561		Standard Manifold Manifold	- - Yes
208-240V Thermostatic Control	3640511 3640571 3640581		Standard Manifold Manifold	- - Yes
240V Infinite Control		36473 3647350 3647360	Standard Manifold Manifold	- - Yes
240V Thermostatic Control		3647310 3647370 3647380	Standard Manifold Manifold	- - Yes

**FEATURES**

- Top is 18-gauge stainless steel, 18-8 Type 304, with 3/8" (9.52 mm) overhang on all sides and die-stamped with full-perimeter drip-edge, and 19<sup>7</sup>/<sub>8</sub>" x 11<sup>7</sup>/<sub>8</sub>" (50.48 x 30.16 cm) openings.
- Breaker gasket included for installation under drip-edge.
- Flat work surface around opening.
- Deep drawn well is 20-gauge 18-8 stainless steel, 6<sup>3</sup>/<sub>8</sub>" (16.19 cm) deep.
- Standard 1000W or 625W heating element.
- Infinite or thermostatic control.
- Power indicator light.
- Standard drain is 1/2" (1.27 cm) stainless steel fitting welded to pan with ball valve shutoff below exterior housing.
- Manifold drain option is 1" (2.54 cm) copper tubing and retains individual well shut-off and adds manifold shutoff.
- Unit insulated on sides, between wells, and below element assembly with high-density glass fiber insulation.
- Exterior housing is 20-gauge galvanized steel.
- Drop-in is supplied with stainless steel control panel connected to bottom of unit for shipping.
- Control panel may remain on unit or be remote mounted.
- Control wires contained in flexible rubber cord.
- Unit comes with cord and plug and does not require hard-wiring installation.
- Positioning clips provided to center drop-in within cutout.
- Standard mounting clips adjustable for up to 3" (7.62 cm) thick counters.
- Full one-year parts and labor warranty.
- Sheet pan adaptor available. Item No. 19186.

**Agency Certifications**



Approvals	Date:



Setting the Standard™

www.vollrathco.com

The Vollrath Company, L.L.C.  
1236 North 18th Street  
Sheboygan, WI 53082-0611  
U.S.A.  
Main Tel: 800.624.2051  
Service Tel: 800.628.0832  
FAX: 800.752.5620

Vollrath of Canada, Co.  
Tel: 800.695.8560  
FAX: 800.752.5620

Modular Drop-In: Three Well Hot

The Vollrath Company, L.L.C.

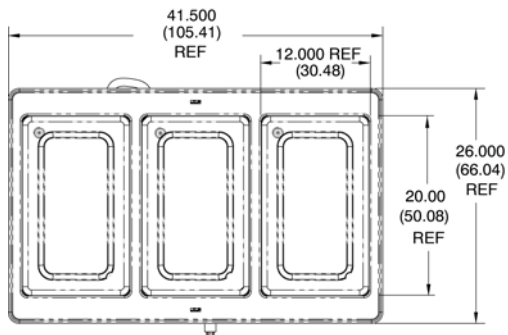
# MODULAR DROP-IN: THREE WELL HOT

## AUTO-FILL OPTION

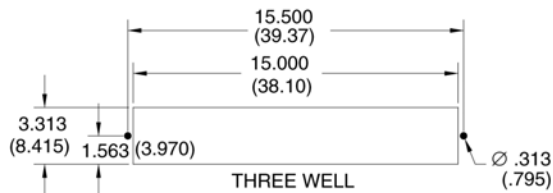
Field-installed option that efficiently maintains a constant water level. Eliminates the need to monitor wells and add water, reducing operating and labor costs. Attaches easily to manifold drain assembly using simple tools. The check valve/siphon prevents cross contamination of drain and potable water lines.

## DIMENSIONS

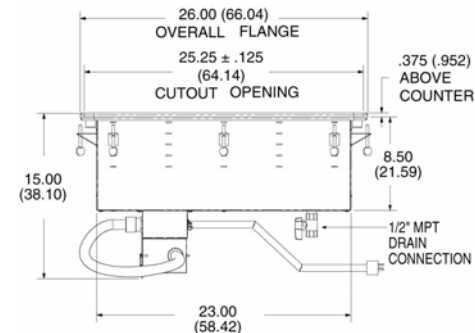
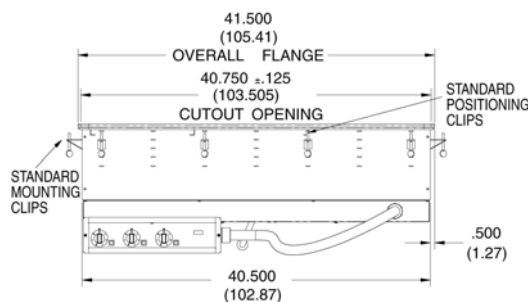
- ❑ Overall Dimension: 41.50" x 26.00" (105.41 cm x 66.04 cm)
- ❑ Cutout Dimensions: 40.75" x 25.25" (103.505 cm x 64.14 cm)
- ❑ Opening cutout must have a 7/8" (2.22 cm) corner radius.



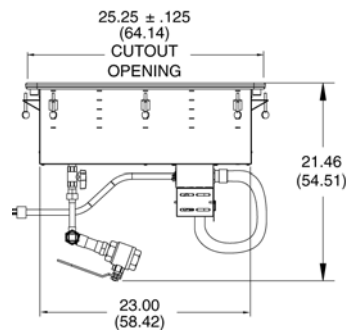
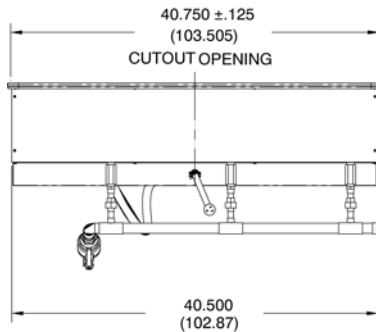
### Control Panel Cutout +.063/-0 (+.160/-0) Tolerance



### Standard Drain



### Manifold Drain

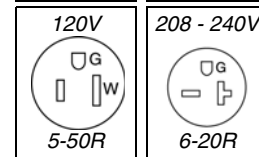
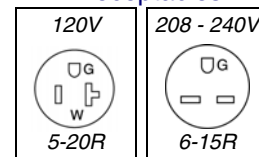


Dimensions shown in inches (centimeters).

## Receptacles

## ELECTRICAL SPECIFICATIONS

Model	Total Watts	Volts	Nominal Amps	NEMA Plug
36404, 3640450, 3640460, 3640410, 3640470, 3640480	1875	120V AC	15.6	5-20P
3640401, 3640451, 3640461, 3640411, 3640471, 3640481	3000	120V AC	25	5-50P
36405, 3640550, 3640560, 3640510, 3640570, 3640580	1875	208V AC	9.0	6-15P
3640501, 3640551, 3640561, 3640511, 3640571, 3640581	2250 - 3000	208 - 240V AC	10.8 - 12.5	6-20P
36473, 3647350, 3647360, 3647310, 3647370, 3647380	1875	240V AC	7.8	6-15P



www.vollrathco.com

The Vollrath Company, L.L.C.  
1236 North 18th Street  
Sheboygan, WI 53082-0611  
U.S.A.  
Main Tel: 800.624.2051  
Service Tel: 800.628.0832  
FAX: 800.752.5620

Vollrath of Canada, Co.  
Tel: 800.695.8560  
FAX: 800.752.5620