



Outperform every day.™

Project:

Item Number:

Quantity:

Breath Guards for Signature Server® with Stainless Steel Tops Only

The Vollrath Company, L.L.C.

BREATH GUARDS FOR SIGNATURE SERVER® WITH STAINLESS STEEL TOPS ONLY



Classic Cafeteria Single Deck



Classic Economy

Classic Cafeteria Double Deck



Access®

DESCRIPTION

Four breath guard styles designed to fit Signature Server® bases with stainless steel top provide the versatility to meet almost any serving need. Accessories include lights and heat strips.

FEATURES

- Stainless steel construction
- 1 tubular stainless steel uprights and end caps
- ¼" (6.4 mm) acrylic breath guard panels
- Double-shelf Classic Cafeteria has adjustable front breath guard panels with middle acrylic shelf
- Classic Economy has a stainless steel reinforcing center bracket
- The adjustable Access® breath guard height can be adjusted without tools

Note: Signature Server® equipment orders cannot be canceled or returned.

WARRANTY: All models shown come with Vollrath's standard warranty against defects in materials and workmanship. For full warranty details, please refer to the Vollrath Equipment and Smallwares Catalog.

Step 1 Select Base Item		
Length	Standard Item No.	NSF Item No.
Classic Cafeteria Single Deck*		
28" (71)	37310	N37310
46" (117)	37311	N37311
60" (152)	37312	N37312
74" (188)	37313	N37313
88" (224)	9861006	N9861006
Classic Cafeteria Double Deck *		
28" (71)	37320	N37320
46" (117)	37321	N37321
60" (152)	37322	N37322
74" (188)	37323	N37323
88" (224)	9861707	N9861707
Classic Economy		
28" (71)	36300	N36300
46" (117)	36301	N36301
60" (152)	36302	N36302
74" (188)	36303	N36303
88" (224)	98607	N98607
Access® Buffet – Adjustable		
28" (71)	36339	N36339
46" (117)	36343	N36343
60" (152)	36363	N36363
74" (188)	36373	N36373
88" (224)	N/A	
Access® Buffet – Non-Adjustable		
28" (71)	36337	N36337
46" (117)	36341	N36341
60" (152)	36361	N36361
74" (188)	36371	N36371
88" (224)	9860206	N9860206
Entree Cart		
28" (71)	36380	N/A

Optional Step 2 Select Accessories	
Length	Item No.
Fluorescent Lights	
46" (117)	36421
60" (152)	36422
74" (188)	36423
88" (224)	98622
Incandescent/Infrared Lights	
Entree unit	36440
46" (117)	36431
60" (152)	36432
74" (188)	36433
88" (224)	98625
Cayenne® Heat Strips	
46" (117)	36401
60" (152)	36402
74" (188)	36403
88" (224)	98623
Cayenne® Heat Strips w/ Lights	
46" (117)	36411
60" (152)	36412
74" (188)	36413
88" (224)	98624

Due to continued product improvement, please consult www.vollrath.com for current product specifications.

Approvals	Date



Outperform every day.™
www.vollrath.com

The Vollrath Company, L.L.C.
1236 North 18th Street
Sheboygan, WI 53081-3201 U.S.A.
Customer Service: 800.628.0830
Canada Customer Service: 800.695.8560
Main Fax: 800.752.5620 or 920.459.6573

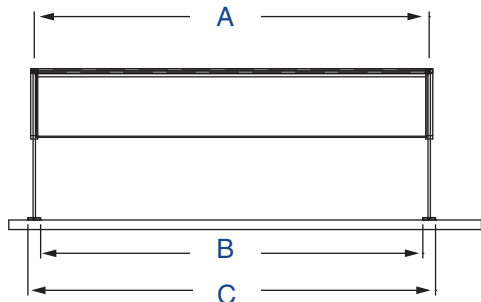
Technical Services: 800.628.0832
Technical Services Fax: 920.459.5462

BREATH GUARDS FOR SIGNATURE SERVER® WITH STAINLESS STEEL TOPS

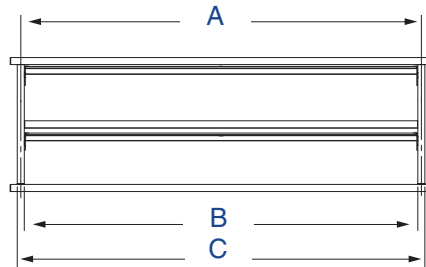
DIMENSIONS

Dimensions shown in inches (cm).

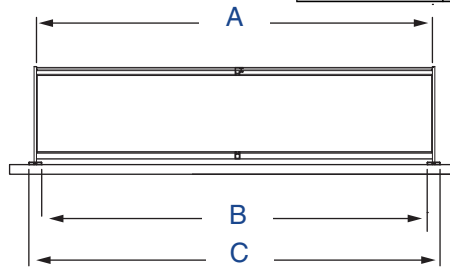
Front View



Classic Economy Buffet and Access®



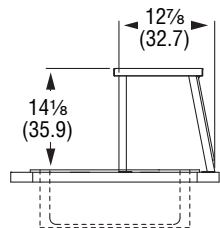
Classic Cafeteria Double Shelf



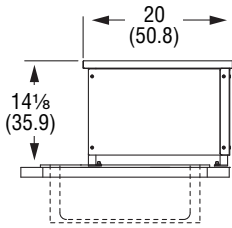
Classic Cafeteria Single Shelf

Style	(A) Center Line to Center Line	(B) Inside of Flange to Inside of Flange	(C) Outside of Flange to Outside of Flange
Economy, Cafeteria Single Shelf, Cafeteria Double Shelf			
Two-Well/Pan	25 (63.5)	24 (61)	26 (66)
Three-Well/Pan	43 (109.2)	42 (106.7)	44 (111.8)
Four-Well/Pan	57 (144.8)	56 (142.2)	58 (147.3)
Five-Well/Pan	71 (180.3)	70 (177.8)	72 (182.9)
Six-Well/Pan	85 (215.9)	84 (213.4)	86 (218.4)
Access®			
Two-Well/Pan	25 (63.5)	23 ³ / ₈ (60)	26 ³ / ₈ (67)
Three-Well/Pan	43 (109.2)	41 ¹ / ₈ (105.7)	44 ³ / ₈ (112.7)
Four-Well/Pan	57 (144.8)	55 ⁵ / ₈ (141.3)	58 ³ / ₈ (148.3)
Five-Well/Pan	71 (180.3)	69 ⁵ / ₈ (176.8)	72 ³ / ₈ (183.8)
Six-Well/Pan	85 (215.9)	83 ⁵ / ₈ (212.4)	86 ³ / ₈ (219.4)

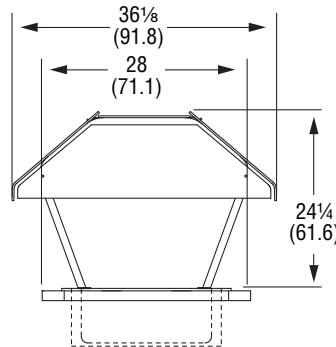
Side View



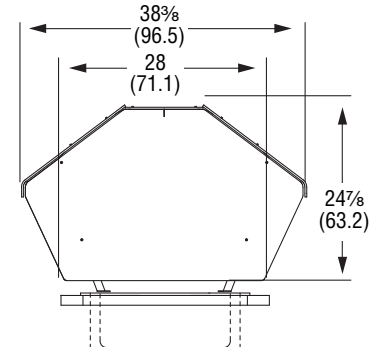
*Single Shelf
Cafeteria Standard*



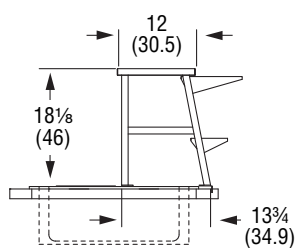
*Single Shelf
Cafeteria NSF*



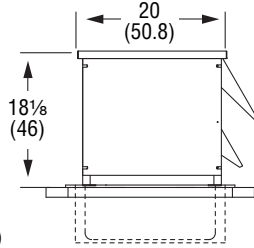
*Classic Economy
Buffet Standard*



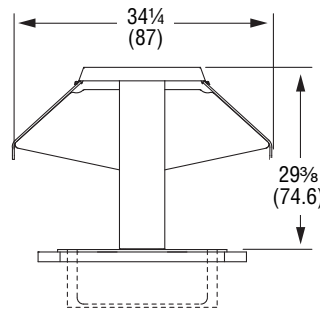
*Classic Economy
Buffet NSF*



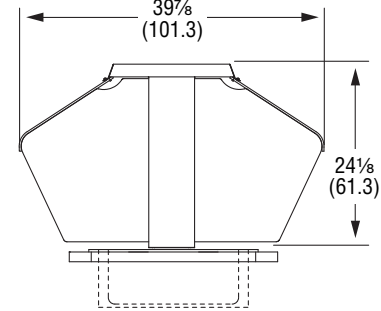
*Double Shelf
Cafeteria Standard*



*Double Shelf
Cafeteria NSF*



Access® Standard



Access® NSF



Outperform every day.™

www.vollrath.com

The Vollrath Company, L.L.C.
1236 North 18th Street
Sheboygan, WI 53081-3201 U.S.A.
Customer Service: 800.628.0830
Canada Customer Service: 800.695.8560
Main Fax: 800.752.5620 or 920.459.6573

Technical Services: 800.628.0832
Technical Services Fax: 920.459.5462