



Project:

Item Number:

Quantity:

AFFORDABLE PORTABLE™ COLD FOOD STATIONS



Affordable Portable™ Cold Food Stations

DESCRIPTION & FEATURES

- Vollrath Affordable Portable™ cold stations are constructed of vinyl-clad, 20-gauge carbon steel.
- Foamed-in-place polyurethane foam insulation.
- 1 (2.54 cm) drain makes clean-up easy.
- Fully enclosed clear acrylic breath guards with 12" (30.5 cm) clearance. NSF2 Certified.
- The non-refrigerated cold stations are available in four versatile colors: granite, walnut woodgrain, black and cherry woodgrain.
- Seamless one-piece 20 gauge 300 series stainless steel work surfaces.
- Locking casters included.
- **Affordable Portable™ orders cannot be canceled or returned.**

Lighting (requires Buffet breath guard, bulbs not included)

- Factory-installed option
- 120V

AGENCY CERTIFICATIONS



Due to continued product improvement, please consult www.vollrathco.com for current product specifications.

MODELS

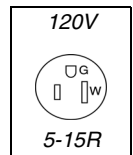
Description	Black	Walnut Woodgrain	Granite	Cherry Woodgrain
3 Pan (46") Cold Food Station Base - 120V				
Solid base	38713	38950	38733	38773
Solid w/lights	3871346	3895046	3873346	3877346
Open Storage	38714	38951	38734	38774
Open w/lights	3871446	3895146	3873446	3877446
Storage w/door	38715	38952	38735	38775
Storage w/door, w/lights	3871546	3895246	3873546	3877546
Cafeteria unit⇒	39713	39950	39733	39773
Cafeteria unit w/open storage⇒	39714	39951	39734	39774
Cafeteria unit w/storage door⇒	39715	39952	39735	39775
4 Pan (60") Cold Food Station Base - 120V				
Solid base	38716	38960	38736	38776
Solid w/lights	3871660	3896060	3873660	3877660
Open Storage	38717	38961	38737	38777
Open w/lights	3871760	3896160	3873760	3877760
Storage w/door	38718	38962	38738	38778
Storage w/door, w/lights	3871860	3896260	3873860	3877860
Cafeteria unit⇒	39716	39959	39736	39776
Cafeteria unit w/open storage⇒	39717	39961	39737	39777
Cafeteria unit w/storage door⇒	39718	39962	39738	39778

⇒ Includes Cafeteria breath guard with acrylic panel.

ELECTRICAL PLUG SPECIFICATIONS

Incandescent lamps only (250W maximum per fixture)

Description	With Lights		
	Amps	Receptacle	Electrical Service (A)
46" Utility Station	6.0	5-15R	15
60" Utility Station	8.0	5-15R	15



WARRANTY: All models shown come with Vollrath's standard warranty against defects in materials and workmanship. For full warranty details, please refer to the Vollrath Equipment and Smallwares Catalog.

Approvals	Date

Affordable Portable™ Cold Food Stations

The Vollrath Company, L.L.C.



Setting the Standard™

www.vollrathco.com

The Vollrath Company, L.L.C.
 1236 North 18th Street
 Sheboygan, WI 53081-3201 U.S.A.
 Customer Service: 800.628.0830
 Canada Customer Service: 800.695.8560
 Main Fax: 800.752.5620 or 920.459.6573

Technical Services: 800.628.0832
 Technical Services Fax: 920.459.6573

AFFORDABLE PORTABLE™ COLD FOOD STATIONS

ACCESSORIES AND ADD-ONS

Cashier Station

- Stable stainless steel work surface
- Wide enough for almost any register or terminal
- Open base and bottom shelf for extra storage
- Cash drawer not available
- Unit depth: 24" (61 cm)



Description	Dimensions (LxH)	Black	Walnut Woodgrain	Granite	Cherry Woodgrain
	Inches (CM)				
Cashier Station	24 x 35 (60.9 x 89)	38700	38905	38720	38760

Tray Slides and Cutting Boards

- Polyethylene cutting boards
- 300 series stainless steel tray slide
- Fold-down mounting brackets
- Cutting boards add 4" (10.2 cm) and tray slides add 5½" (14 cm) to width of unit in folded position



Tray Slide	Cutting Board	Description	Case Lot
39924	39824	Fits 24" (61 cm) Affordable Portable™	1
39946	39846	Fits 46" (117 cm) Affordable Portable™	1
39960	39860	Fits 60" (152 cm) Affordable Portable™	1

Spillage Pans

- Stainless steel or aluminum
- Accepts standard size pans
- Can use with adaptor plates or insets
- Suitable for bulk storage



99870

Item	Description	Case Lot
99765	Standard edge stainless spillage pan	1
99780	Dripless stainless spillage pan	1
99785	Aluminum spillage pan	1

Plate Rests

- Stainless steel
- Fold-down mounting kit
- Designed for Affordable Portable™ only
- Surface width: 7" (17.8 cm)
- Adds 4½" (11.4 cm) to width of unit in folded position\



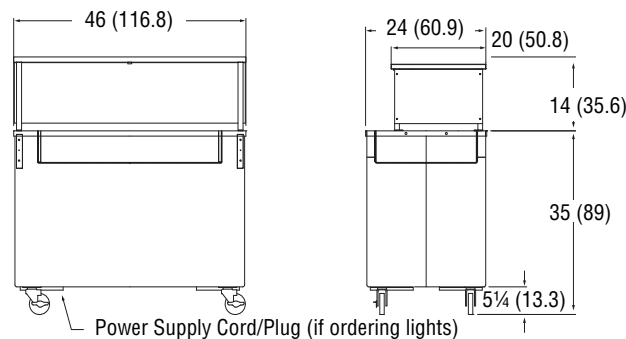
Item	Description	Case Lot
38992	24" (61 cm) plate rest with mounting kit	1
38993	46" (117 cm) plate rest with mounting kit	1
38994	60" (152 cm) plate rest with mounting kit	1

STORAGE OPENING DIMENSIONS

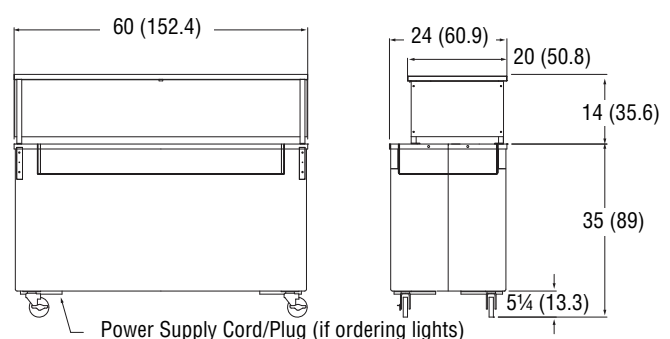
Description	Dimensions (L x W x H): IN (CM)
60" Unit	50 x 23 x 16½ (127 x 58 x 42)
46" Unit	36 x 23 x 16½ (91.5 x 58 x 42)

DIMENSIONS

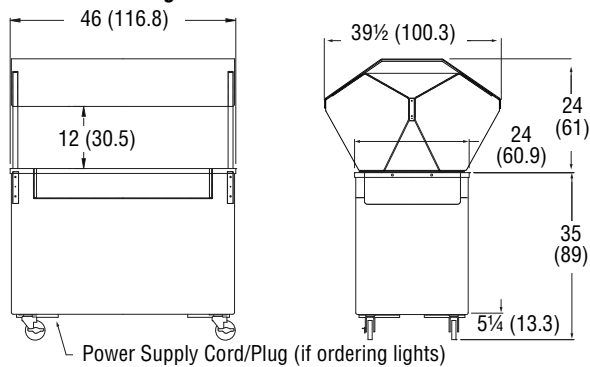
3 Pan Non-Refrigerated Cold Station with Cafeteria Breath Guard



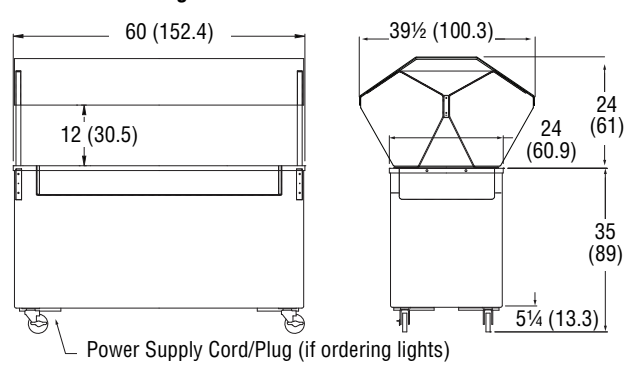
4 Pan Non-Refrigerated Cold Station with Cafeteria Breath Guard



3 Pan Non-Refrigerated Cold Station with Buffet Breath Guard



4 Pan Non-Refrigerated Cold Station with Buffet Breath Guard



Setting the Standard™

www.vollrathco.com

The Vollrath Company, L.L.C.
 1236 North 18th Street
 Sheboygan, WI 53081-3201 U.S.A.
 Customer Service: 800.628.0830
 Canada Customer Service: 800.695.8560
 Main Fax: 800.752.5620 or 920.459.6573

Technical Services: 800.628.0832
 Technical Services Fax: 920.459.6573