

This Space For Architect/Engineer Approval

Job Name _____ Date _____

Model Specified _____ Quantity _____

Customer/Wholesaler _____

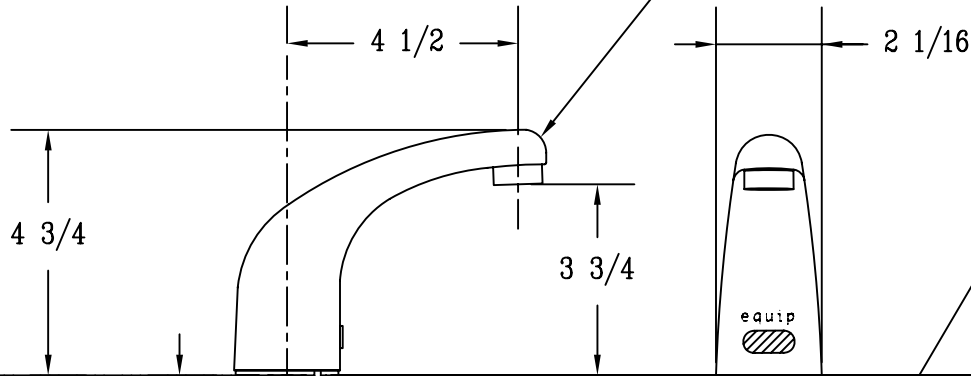
Contractor _____

Architect/Engineer _____



ADA COMPLIANT

POLISH CHROME PLATED
SOLID CAST BRASS SPOUT
w/ AERATOR



3 5/8" x 4 3/16" x 2" DEEP
CONTROL MODULE BOX
(WHITE) w/ WATERPROOF
CONNECTIONS. AC or DC
OPERATED w/ (4) AA
BATTERIES



FITS
COUNTERS
UP TO
1 3/8" THICK
REQUIRES 1 1/4" Ø
MOUNTING HOLE

FURNISHED w/ 1/4" NPSM
FE. x 1/2" NPSM FEMALE x
18" LONG FLEXIBLE ST.
STEEL HOSE BETWEEN
SHANK & CONTROL MODULE

REMOVEABLE STRAINER

LOCKWASHER
& LOCKNUT
24" SENSOR
CABLE

144" LONG POWER CORD
w/ 100-135 VAC ADAPTER
(REMOVE RUBBER PLUG IN
MODULE TO CONNECT)

MIXING
FITTING

(2) 18" FLEX. ST.
STEEL SUPPLY
HOSES: 1/2" NPSM FE.
x 3/8" COMPRESSION
FEMALE

NOTE:
SUPPLY STOPS BY OTHERS

MODEL NUMBER 5EF-1D-DS	DATE 07/10/08	SCALE NTS	DRAWN GEF	CHECKED JRM	APPROVED JHB
---------------------------	------------------	--------------	--------------	----------------	-----------------



DESCRIPTION
ELECTRONIC FAUCET: SINGLE HOLE DECK
MOUNT 4" CAST SPOUT, AC-DC CONTROL
MODULE, TEMPERATURE CONTROL, MIXING VALVE,
AND 18" HOT & COLD FLEXIBLE SUPPLY HOSES

equip Foodservice Accessories
P.O. BOX 1088, 2 SADDLEBACK COVE
TRAVELERS REST, SOUTH CAROLINA 29690
PHONE: 800.891.4808 FAX: 800.868.0084