



T&S BRASS AND BRONZE WORKS, INC.  
 2 SADDLEBACK COVE / P.O. BOX 1088 / TRAVELERS REST, SC 29690  
 PHONE 800-476-4103 - FAX 864- 834-3518



Model No.

B-1146

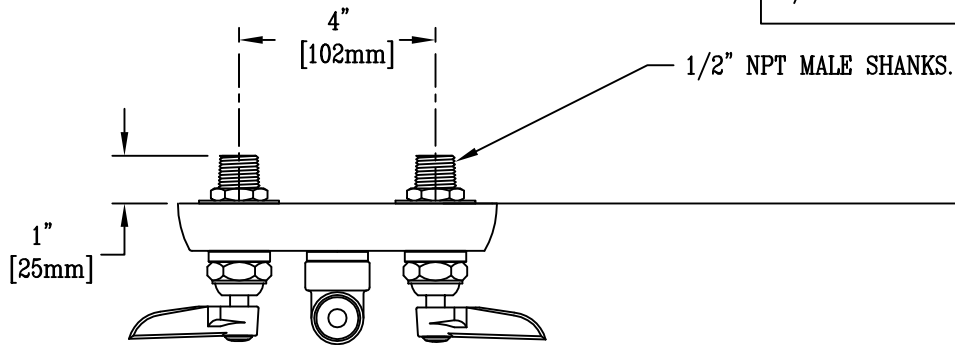
RELIABILITY  
 BUILT IN

Job Name:

Architect/Engineer Approval:

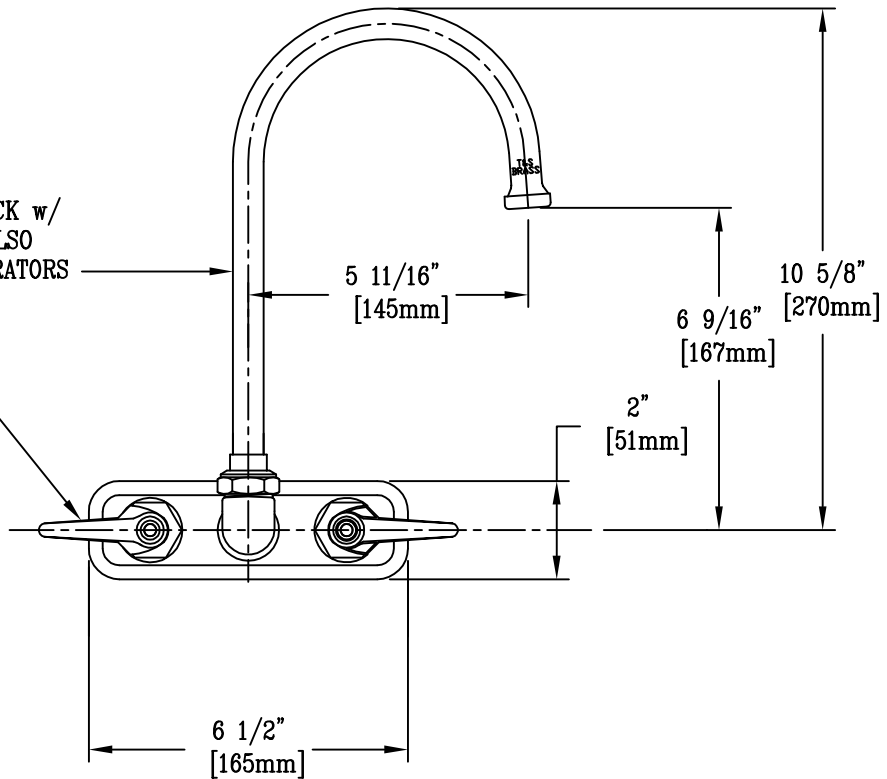
Notes:

B-1100-K ELBOW KIT SOLD SEPARATELY. CONTAINS (2) 1/2" NPT MALE 90° ELBOWS



133X SWIVEL GOOSENECK w/  
 STREAM REGULATOR. ALSO  
 ACCEPTS SERIES 1 AERATORS

HOT & COLD INDEXED  
 LEVER HANDLES



Product Description:

WALL MOUNT WORKBOARD FAUCET WITH 1/2" NPT MALE SHANKS, 4" INLET CENTERS, 133X SWIVEL GOOSENECK, LEVER HANDLES

Drawn:

WJS

Checked

JKD

Scale:

1 : 4

Approved

MVW

Date:

10-4-01