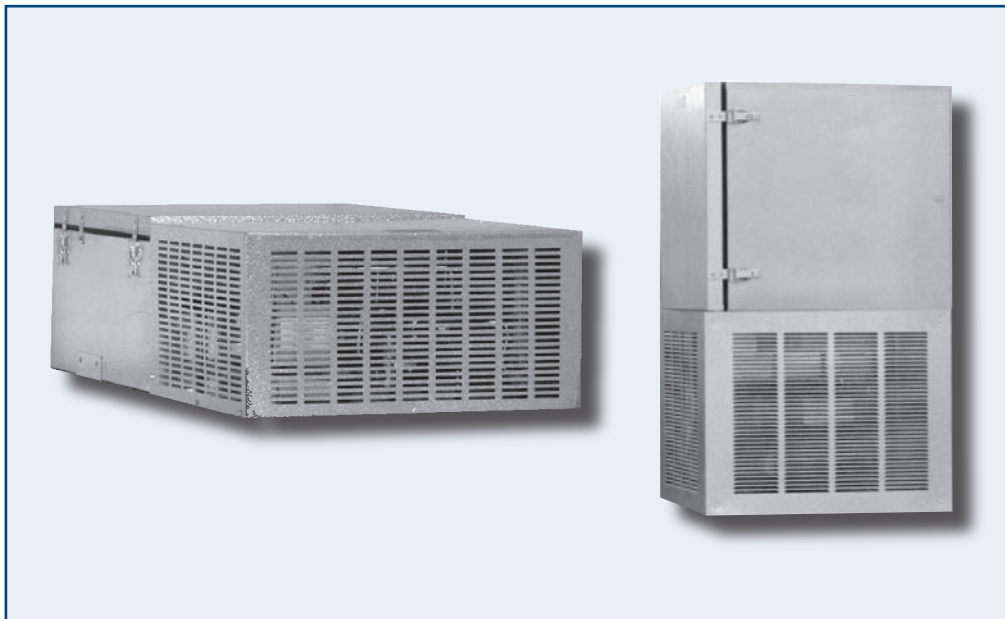




# CAPSULE PAK™ REFRIGERATION SYSTEM



PROJECT:

.....

ITEM NUMBER:

.....

MODEL NUMBER:

.....

CAPSULE PAK™ REFRIGERATION SYSTEM

## STANDARD FEATURES

- Available for coolers or freezers
- Indoor or outdoor models
- Three temperatures +35°F, -10°F, -20°F
- Ceiling or wall mount
- Air cooled condensing unit
- Automatic condensate vaporizer. No drain lines required on indoor units
- Time clock provided for automatic defrost on both coolers and freezers
- Registered by UL to ISO 9001:2000
- UL and C-UL electrical listing on complete Capsule Pak™ refrigeration systems
- -20°F ambient controls (outdoor models)

## OPTIONAL FEATURES

- Condensing unit air deflector kit
- Heater kit for outdoor use in below 32°F ambient
- Three phase electrical
- Remote Capsule Pak™ refrigeration system
- Electric condensate vaporizer
- Five year compressor warranty
- 220/50/1 electrical
- CE approval models for international installation

**Standard equipment for Nor-Lake  
Kold Locker™ Walk-Ins**



Nor-Lake, Inc.  
Registered to ISO 9001:2000  
File No. A3204

\*Most options are available two weeks from receipt of order. Please contact us for specific questions.

SPECIFICATION  
**GUIDE**

# PHYSICAL SPECIFICATIONS

## Capsule Pak™ Refrigeration System Specification

Capsule Pak™ refrigeration systems consist of a unitized system which is factory assembled, wired, charged, tested and fully equipped for insertion into a factory prepared walk-in opening. The Capsule Pak™ system has a flush coil which keeps all components outside, allowing more storage inside. Models shall be available for wall or ceiling mounting for use on indoor or outdoor installations. Models are available for interior compartment design temperatures of +38°F to +35°F, -10°F and -20°F. Installation is fast and easy. No plumbing required on indoor units.

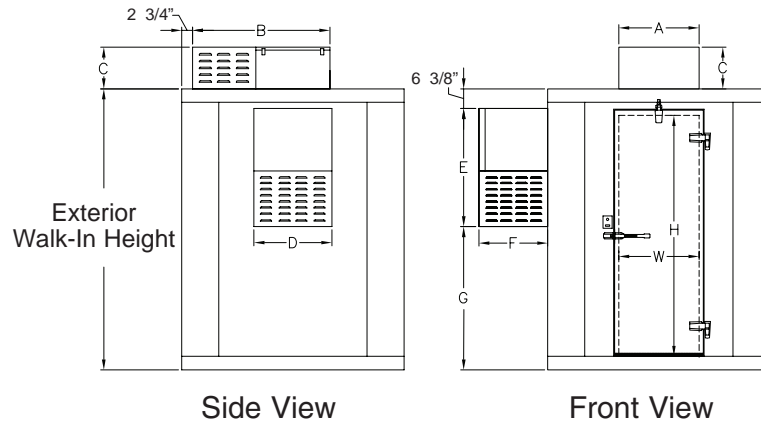
The Capsule Pak™ system evaporator section shall consist of an integral factory assembled component of the complete Capsule Pak™ refrigeration system. The evaporator section shall be design as to be located entirely outside the walk-in with no intrusions into the refrigerated space. The evaporator enclosure shall be constructed utilizing foamed-in-place HFC-134a polyurethane insulation and be equipped with a removable, gasketed access cover.

All indoor Capsule Pak™ models shall be equipped with a discharge gas condensate vaporizer which requires no plumbing. All outdoor Capsule Pak™ models shall be equipped with low ambient controls consisting of crankcase heater, flooded condenser head pressure control and pump down cycle.

**All standard Capsule Pak™ refrigeration systems are stocked for same day shipment.**

All standard Capsule Pak™ refrigeration systems shall be UL and C-UL listed.

Note: Allow minimum of 6" clearance above the Capsule Pak™ system.



### Door Opening Size

W	H	Model
26"	59"	45 Series
26"	66"	STD Series
26"	78"	74 Series
26"	78"	77 Series

### Capsule-Pak™ Refrigeration Systems

### "G" DIMENSION\*

Model Number	"A"	"B"	"C"	"D"	"E"	"F"	6'0"	6'7"	7'4"	7'7"
CPB0501C-A	26"	44-1/2"	13-1/2"	N/A	N/A	N/A	N/A	N/A	N/A	N/A
CPB0751C-A	37"	48-1/4"	14-1/2"	N/A	N/A	N/A	N/A	N/A	N/A	N/A
CPB0501CO-A	32"	44-1/2"	14-7/8"	N/A	N/A	N/A	N/A	N/A	N/A	N/A
CPB0751CO-A	43"	48-1/2"	14-7/8"	N/A	N/A	N/A	N/A	N/A	N/A	N/A
CPB050DC-A	29"	44-1/2"	14-1/2"	N/A	N/A	N/A	N/A	N/A	N/A	N/A
CPB075DC-A	37"	48-1/4"	14-1/2"	N/A	N/A	N/A	N/A	N/A	N/A	N/A
CPB100DC-A	34-1/2"	59"	21-1/4"	N/A	N/A	N/A	N/A	N/A	N/A	N/A
CPF060DC-A	39"	44-1/2"	14-1/2"	N/A	N/A	N/A	N/A	N/A	N/A	N/A
CPF075DC-A	39"	48-1/4"	14-1/2"	N/A	N/A	N/A	N/A	N/A	N/A	N/A
CPF100DC-A	36-1/2"	59"	21-1/4"	N/A	N/A	N/A	N/A	N/A	N/A	N/A
CPF150DC-A	36-1/2"	59"	21-1/4"	N/A	N/A	N/A	N/A	N/A	N/A	N/A
CPF151DC-A	36-1/2"	59"	21-1/4"	N/A	N/A	N/A	N/A	N/A	N/A	N/A
CPX100DC-A	39"	48-1/4"	14-1/2"	N/A	N/A	N/A	N/A	N/A	N/A	N/A
CPX150DC-A	36-1/2"	59"	21-1/4"	N/A	N/A	N/A	N/A	N/A	N/A	N/A
CPX151DC-A	36-1/2"	59"	21-1/4"	N/A	N/A	N/A	N/A	N/A	N/A	N/A
CPB050DCO-A	32"	44-1/2"	14-7/8"	N/A	N/A	N/A	N/A	N/A	N/A	N/A
CPB075DCO-A	43"	48-1/4"	14-7/8"	N/A	N/A	N/A	N/A	N/A	N/A	N/A
CPB100DCO-A	40-1/2"	59-1/2"	22-7/8"	N/A	N/A	N/A	N/A	N/A	N/A	N/A
CPF060DCO-A	43"	44-1/2"	15-7/8"	N/A	N/A	N/A	N/A	N/A	N/A	N/A
CPF075DCO-A	43"	48-1/4"	15-7/8"	N/A	N/A	N/A	N/A	N/A	N/A	N/A
CPF100DCO-A	40-1/2"	59-1/2"	22-7/8"	N/A	N/A	N/A	N/A	N/A	N/A	N/A
CPF150DCO-A	40-1/2"	59-1/2"	22-7/8"	N/A	N/A	N/A	N/A	N/A	N/A	N/A
CPF151DCO-A	40-1/2"	59-1/2"	22-7/8"	N/A	N/A	N/A	N/A	N/A	N/A	N/A
CPB050DW	N/A	N/A	N/A	25-1/4"	38-1/4"	22-1/4"	27-3/8"	34-3/8"	43"	46-3/8"
CPB075DW	N/A	N/A	N/A	44-1/8"	45"	30"	N/A	27-5/8"	36-1/4"	39-5/8"
CPF060DW	N/A	N/A	N/A	25-1/4"	38-1/4"	22-1/4"	27-3/8"	34-3/8"	43"	46-3/8"
CPF075DW	N/A	N/A	N/A	25-1/4"	38-1/4"	22-1/4"	N/A	34-3/8"	43"	46-3/8"
CPF100DW	N/A	N/A	N/A	44-1/8"	45"	30"	N/A	27-5/8"	36-1/4"	39-5/8"
CPF150DW	N/A	N/A	N/A	44-1/8"	45"	30"	N/A	27-5/8"	36-1/4"	39-5/8"
CPX100DW	N/A	N/A	N/A	25-1/4"	38-1/4"	22-1/4"	N/A	34-3/8"	43"	46-3/8"
CPX150DW	N/A	N/A	N/A	44-1/8"	45"	30"	N/A	27-5/8"	36-1/4"	39-5/8"
CPX151DW	N/A	N/A	N/A	44-1/8"	45"	30"	N/A	27-5/8"	36-1/4"	39-5/8"
CPB050DWO	N/A	N/A	N/A	25-1/4"	42"	22-3/4"	27-3/8"	34-3/8"	43"	46-3/8"
CPB075DWO	N/A	N/A	N/A	44-1/8"	48-3/4"	30-1/2"	N/A	27-5/8"	36-1/4"	39-5/8"
CPF060DWO	N/A	N/A	N/A	25-1/4"	42"	22-3/4"	27-3/8"	34-3/8"	43"	46-3/8"
CPF075DWO	N/A	N/A	N/A	25-1/4"	42"	22-3/4"	N/A	34-3/8"	43"	46-3/8"
CPF100DWO	N/A	N/A	N/A	44-1/8"	48-3/4"	30-1/2"	N/A	27-5/8"	36-1/4"	39-5/8"
CPF150DWO	N/A	N/A	N/A	44-1/8"	48-3/4"	30-1/2"	N/A	27-5/8"	36-1/4"	39-5/8"
CPF151DWO	N/A	N/A	N/A	44-1/8"	48-3/4"	30-1/2"	N/A	27-5/8"	36-1/4"	39-5/8"

Consideration must be given to accessibility for service & free condenser air flow.

Consult Factory.

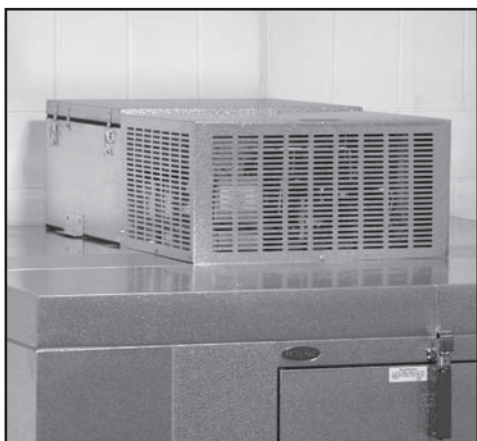
Subject to change without notice

• Exterior Walk-In Height



Nor-Lake, Inc.  
Registered to ISO 9001:2000  
File No. A3204

# ELECTRICAL DATA



## Capsule Pak™ Refrigeration Systems

Model Number	Horsepower	Volts/Hz/Ph	Defrost AMPS	Total Systems AMPS	Minimum Circuit AMPS	Maximum Fuse Size
CPB0501C-A	1/2	115/60/1	N/A	11.0	14.1	20
CPB0751C-A	3/4	208-230/60/1	N/A	9.0	11.7	15
CPB0501CO-A	1/2	115/60/1	N/A	14.5	18.1	30
CPB0751CO-A	3/4	208-230/60/1	N/A	9.0	12.0	15
CPB050DC-A	5/8	115/60/1	N/A	13.3	16.1	20
CPB075DC-A	7/8	208-230/60/1	N/A	8.0	9.3	15
CPB100DC-A	1	208-230/60/1	N/A	12.0	14.4	20
CPF060DC-A**	5/8	208-230/60/1	13.3	8.0	13.3	15
CPF075DC-A**	3/4	208-230/60/1	14.9	8.4	14.9	15
CPF100DC-A	1	208-230/60/1	8.9	8.3	10.2	15
CPF150DC-A	1-1/2	208-230/60/1	12.8	12.0	13.9	20
CPF151DC-A	1-1/2	208-230/60/1	10.22	11.6	13.4	20
CPF200DC-A	2	208-230/60/1	9.9	15.7	17.7	20
CPX100DC-A**	1	208-230/60/1	13.5	8.3	13.5	15
CPX150DC-A*	1-1/2	208-230/60/1	9.2	11.4	15.2	20
CPX151DC-A*	1-1/2	230/60/1	12.9	15.3	19.7	25
CPB050DCO-A	5/8	115/60/1	N/A	14.7	18.0	25
CPB075DCO-A	7/8	208-230/60/1	N/A	9.3	10.3	15
CPB100DCO-A	1	208-230/60/1	N/A	10.9	13.3	20
CPF060DCO-A**	5/8	208-230/60/1	13.6	7.6	13.6	15
CPF075DCO-A**	3/4	208-230/60/1	13.5	8.3	13.5	15
CPF100DCO-A	1	208-230/60/1	8.9	7.0	10.1	15
CPF150DCO-A	1-1/2	208-230/60/1	10.7	9.8	12.0	15
CPF151DCO-A	1-1/2	230/60/1	8.45	11.7	13.95	25
CPF200DCO-A	2	208-230/60/1	9.9	14.2	16.4	20
CPB050DW	1/2	115/60/1	N/A	12.2	14.4	20
CPB075DW	3/4	208-230/60/1	N/A	8.4	9.7	15
CPF060DW**	5/8	208-230/60/1	8.34	6.2	8.34	15
CPF075DW**	3/4	208-230/60/1	9.9	7.9	9.9	15
CPF100DW	1	208-230/60/1	7.1	8.1	9.7	15
CPF150DW	1-1/2	208-230/60/1	7.1	11.2	14.2	20
CPX100DW**	1	208-230/60/1	8.3	8.7	9.3	15
CPX150DW	1-1/2	208-230/60/1	7.1	11.4	14.9	20
CPX151DW	1-1/2	230/60/1	7.1	15.3	19.5	25
CPB050DWO	1/2	115/60/1	N/A	12.4	14.7	20
CPB075DWO	3/4	208-230/60/1	N/A	8.8	10.6	15
CPF060DWO**	5/8	208-230/60/1	9.6	7.0	9.6	15
CPF075DWO**	3/4	208-230/60/1	9.9	7.0	9.9	15
CPF100DWO	1	208-230/60/1	7.5	8.5	10.1	15
CPF150DWO	1-1/2	208-230/60/1	7.5	11.5	14.6	20
CPF151DWO	1-1/2	230/60/1	7.5	11.4	14.4	20

NOTE:

\* Hot gas defrost

\*\* These systems have 115 volt fan motors and/or drain line heaters which will require 115/208-230/60/1, AC 4 wire service  
Subject to change without notice

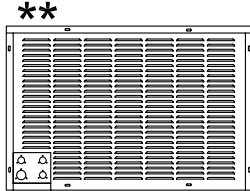
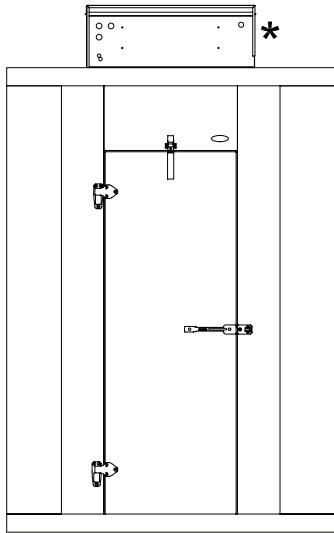
## Ceiling Mount Capsule Pak™ System

Ceiling Mount Capsule Pak™ systems are conveniently located on top of the walk-in to maximize available floor space. Available in indoor and outdoor models for single or dual walk-in compartments. Ceiling mount systems are available for same day shipment.



## Wall Mount Capsule Pak™ System

The Wall Mount Capsule Pak™ System provides easy access for service and installation where there is not enough room for a ceiling mounted application. Available in indoor and outdoor models for single or dual walk-in compartments. Wall Mount Systems are available to ship in ten days.



These systems include ambient controls, weather-proof hoods, precharged systems with quick connects for simple field connections to precharged lines of your choice. Consult factory for application, pricing and ship date availability.

## Remote Capsule-Pak™ Refrigeration Systems

							** CONDENSING UNIT		*EVAPORATOR UNIT			
CEILING MOUNT SYSTEMS												
Model Number	REF.	Refrig. Opening Size	Voltage	Cond AMPS	Min. Circuit AMPS	Max Fuse Size	Voltage	Defrost AMPS	Evap. Amps	Min. Circuit Amps	Max Fuse Size	
*RCPB0501C-A	R22	SMALL	115/60/1	13.4	17	30	115/60/1	N/A	1.1	1.4	15	
RCPB050DC-A	R404	SMALL	115/60/1	13.5	16.7	25	115/60/1	N/A	1.2	1.5	15	
*RCPB0751C-A	R22	MEDIUM	208-230/60/1	8.5	11.1	15	230/60/1	N/A	0.81	1	15	
RCPB075DC-A	R404	MEDIUM	208-230/60/1	8.2	9.1	15	230/60/1	N/A	1.1	1.3	15	
RCPB100DC-A	R404	LARGE	208-230/60/1	9.6	12.2	20	230/60/1	N/A	1	1.3	15	
RCPF060DC-A	R404	MEDIUM	208-230/60/1	5.5	7.5	15	115/60/1	13.2	2.1	13.2	15	
RCPF075DC-A	R404	MEDIUM	208-230/60/1	6.93	8.7	15	115/60/1	14.6	2.2	14.6	15	
RCPF100DC-A	R404	LARGE	208-230/60/1	5.8	8.9	15	230/60/1	8.9	1.2	8.9	15	
RCPF150DC-A	R404	LARGE	208-230/60/1	8.7	10.9	15	230/60/1	10.7	1.1	10.7	15	
WALL MOUNT SYSTEMS												
RCPB050DW	R404	SMALL	115/60/1	10.8	13.1	20	115/60/1	N/A	1.65	2	15	
RCPB075DW	R404	LARGE	208-230/60/1	7.4	8.9	15	230/60/1	N/A	1	1.3	15	
RCPF060DW	R404	SMALL	208-230/60/1	5.1	6.6	15	115/60/1	9.6	1.7	9.6	15	
RCPF075DW	R404	SMALL	208-230/60/1	5.6	6.6	15	115/60/1	9.6	1.4	9.9	15	
RCPF100DW	R404	LARGE	208-230/60/1	7.4	8.9	15	230/60/1	7.1	1.1	7.1	15	
RCPF150DW	R404	LARGE	208-230/60/1	10.5	13.4	20	230/60/1	7.1	1	7.1	15	

**\*WARNING:** Contains R22, a substance which harms public health and environment by destroying ozone in the upper atmosphere.

## Electric Condensate Vaporizer

Exclusive to Nor-Lake is the Electric Condensate Vaporizer for Remote Capsule Pak™ Systems. This UL and C-UL approved product requires no drain lines on indoor applications, which makes installation fast and easy and allows equipment to be operational in a shorter time frame.

NOR-LAKE, INCORPORATED  
 727 Second St.  
 Hudson, WI 54016  
**800-955-5253**  
 715-386-2323  
 800-961-5253 PARTS  
 800-388-5253 SERVICE  
 715-386-4291 FAX  
 www.norlake.com



© 2008 NOR-LAKE, INC.  
 Printed in U.S.A.  
 Part Number: 132724  
 Revision Date: 4/08