



ITEM NO. \_\_\_\_\_  
 PROJECT \_\_\_\_\_  
 LOCATION \_\_\_\_\_  
 DATE \_\_\_\_\_ QTY. \_\_\_\_\_

## CAPSULE PAK ECO™

Self-Contained Indoor  
 Refrigeration Systems With  
 Natural Refrigerant

### COOLERS

- CPB050PC-S-0
- CPB075PC-S-0
- CPB100PC-S-0

### FREEZERS

- CPF050PC-S-0
- CPF075PC-S-0
- CPF100PC-S-0
- CPF150PC-S-4



**R290**  
 ECO-FRIENDLY  
 NATURAL REFRIGERANT



**PATENT  
 PENDING  
 DESIGN**

### FEATURES

- Condensing unit and evaporator coil contained in a single housing ready to mount on top of your Norlake walk-in
- Indoor ceiling mount models
- Available for coolers or freezers
- Systems may be specified for walk-in rooms 14' long and under
- Two temperatures: +37°F and -10°F
- Air cooled condensing unit
- Automatic condensate evaporator
- LogiTemp™ electronic controller system
- Electronic control provided for automatic defrost on both coolers and freezers
- All models feature standard cord and plug eliminating the need for field connection
- UL and C-UL electrical listing on complete Capsule Pak ECO refrigeration systems\*
- DOE, CARB and SNAP compliant
- 18 months parts and labor warranty (optional 5 year compressor warranty available)

### OPTIONS

- Five year compressor warranty

\* C-UL is Underwriters Laboratories Safety Certification Mark which indicates that UL has tested the equipment to applicable CSA Standards.



## CAPSULE PAK ECO™

SELF-CONTAINED REFRIGERATION SYSTEMS WITH NATURAL REFRIGERANT

### SYSTEM SPECIFICATIONS

Capsule Pak ECO™ refrigeration systems consist of a single assembly pre-charged condensing unit and evaporator coil factory assembled, wired, tested and ready for insertion into a factory prepared walk-in ceiling opening.

Capsule Pak ECO systems are ceiling mount. A flush evaporator coil keeps all components outside the walk-in storage area allowing more storage inside. Capsule Pak ECO systems are for indoor installations only. Models are available for interior compartment design temperatures of +37°F and -10°F. Installation is fast and easy with no plumbing required.

The evaporator section is designed to be located entirely outside the walk-in with no intrusions into the refrigerated space. The evaporator enclosure is constructed utilizing

foamed-in-place polyurethane insulation and equipped with a removable, gasketed access cover. High efficiency EC evaporator fan motors circulate air throughout the walk-in.

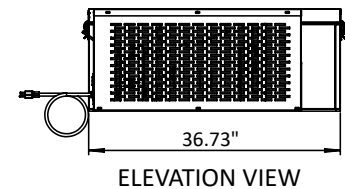
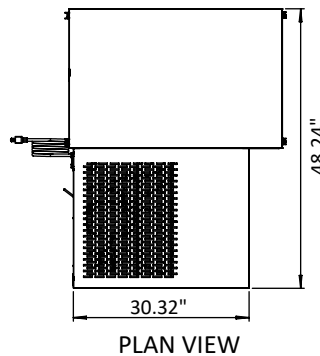
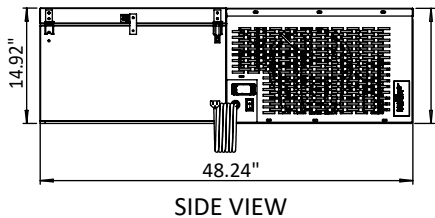
Capsule Pak ECO systems incorporate a condensate pan with wicks and warm air from the condenser fan to dissipate condensate.

Capsule Pak ECO systems are UL and C-UL listed and DOE compliant. They are also designed to be paired with a Norlake UL listed ignition protected walk-in.

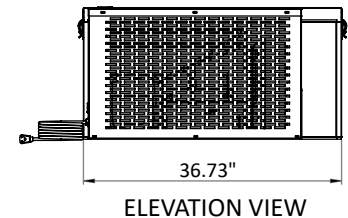
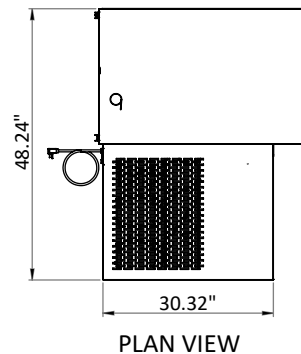
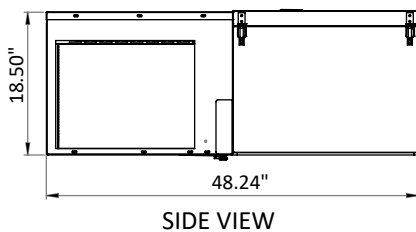
Allow a minimum clearance of 24" on each side of the system for installation. Consideration should be given to accessibility for service and free condenser air flow. Consult factory with installation questions.

### PHYSICAL SPECIFICATIONS

#### 050 & 075 Models



#### 100 & 150 Models



**NOTE:**

- Consideration must be given to accessibility for service and free condenser air flow. Consult factory with installation questions.
- Proper condensing unit ventilation must be provided. The factory recommends 200cfm of fresh air in the surrounding area with ample clearance around the condensing unit.
- Subject to change without notice.



## CAPSULE PAK ECO™

SELF-CONTAINED REFRIGERATION SYSTEMS WITH NATURAL REFRIGERANT

### ELECTRICAL DATA

#### INDOOR REFRIGERATION SYSTEMS (CORD AND PLUG CONNECTED)

MODEL	REFRIGERANT	ELECTRICAL	TOTAL SYSTEM AMPS	NEMA PLUG	AWEF	BTUH*
CPB050PC-S-0	R290	115/60/1	6.9	5-15P	5.61	4100
CPB075PC-S-0	R290	115/60/1	11.4	5-20P	5.61	6700
CPB100PC-S-0	R290	115/60/1	15.3	5-20P	5.61	8800
CPF050PC-S-0	R290	115/60/1	6.9	5-15P	1.96	1600
CPF075PC-S-0	R290	115/60/1	11.4	5-20P	2.07	2900
CPF100PC-S-0	R290	115/60/1	15.3	5-20P	2.18	4000
CPF150PC-S-4	R290	230/60/1		6-20P		

\*BTUH calculated using 16 hour design runtimes on coolers and 20 hour design runtimes on freezers, 90°F ambient.

Note:

- Consult factory for application specifics, pricing and ship date availabilities.
- All Capsule Pak ECO systems require a single power supply.

### STANDARD LOGITEMP™ ELECTRONIC CONTROLLER SYSTEM



#### FOOD SAFETY

- More precise and reliable controls than an all-mechanical system for increased food safety
- Should there be an issue with the refrigeration system, operators will know instantly through error codes

#### INSTALLATION SAVINGS

- Controller is already installed on the Capsule Pak ECO™ refrigeration system so no additional installation is necessary

All specifications within this publication subject to change without notice.



891 County Road U • Hudson, WI 54016 • 800-955-5253 • norlake.com

171573-5/22  
©2022 Norlake, Inc. All rights reserved.