



Profit from the Eagle Advantage®

# Specification Sheet

## Short Form Specifications

Eagle 1800 / 2200 Series Modular Add-On Hand Sinks, model \_\_\_\_\_. Top, front, sink and backsplash to be heavy gauge type 304 stainless steel. Sink to be deep-drawn 10" x 14" x 10" deep with faucet, splash mounted. Predrilled mounting holes on both ends. Two knocked-down channel/gusset and galvanized leg assemblies with adjustable bullet feet furnished.



#MA2-18 hand sink unit for 1800 Series units

## Options / Accessories

- Stainless steel leg kits

## EAGLE GROUP

100 Industrial Boulevard, Clayton, DE 19938-8903 USA

Phone: 302-653-3000 • Fax: 302-653-2065

www.eaglegrp.com

Foodservice Division: Phone 800-441-8440

MHC/Retail Display Divisions: Phone 800-637-5100

For custom configuration or fabrication needs, contact our SpecFAB® Division.

Phone: 302-653-3000 • Fax: 302-653-3091 • e-mail: specfab@eaglegrp.com

Item No.: \_\_\_\_\_  
Project No.: \_\_\_\_\_  
S.I.S. No.: \_\_\_\_\_

## Modular Add-On Hand Sinks for 1800 and 2200 Series Units

### MODELS:

MA2-18

MA2-22

### Design and Construction Features

- Modular add-on hand sinks align to adjoining 1800 series or 2200 series units via predrilled mounting holes and pan-head screws.
- 10" x 14" x 10" (254 x 356 x 254mm) sink bowl.
- Standard faucet and 1½" (38mm) basket drain.
- Units come with knocked-down gusset/channel and galvanized leg assemblies.
- New bullnose front edge.
- Predrilled mounting holes on both ends.
- Standard faucet.
- Basket drain.
- Tubular legs.
- Add-On units attach to either end of underbar unit.
- Models available for use with both 1800 Series and 2200 Series underbar units.



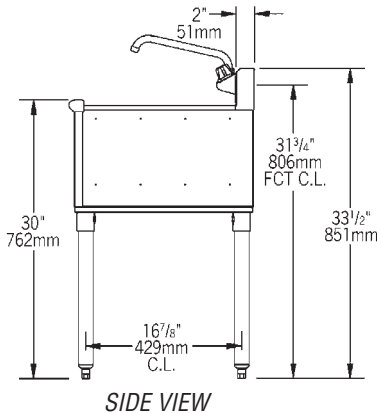
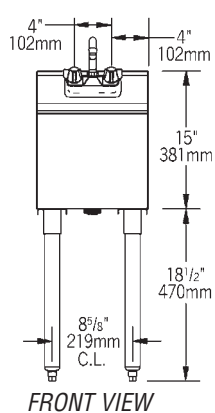
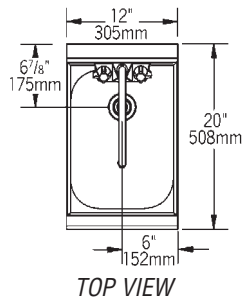


Profit from the Eagle Advantage®

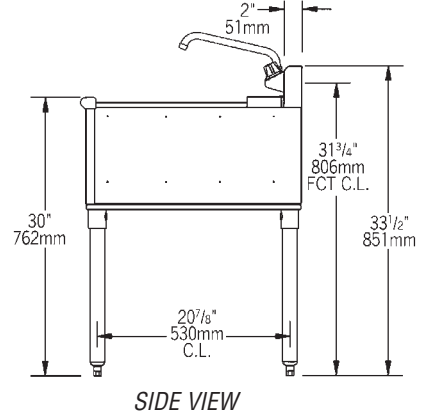
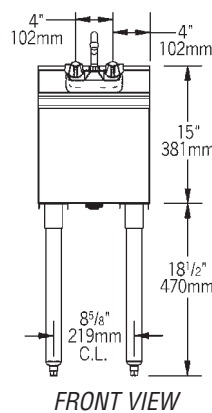
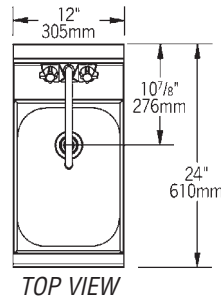
Item No.: \_\_\_\_\_  
 Project No.: \_\_\_\_\_  
 S.I.S. No.: \_\_\_\_\_

## Modular Add-On Hand Sinks for 1800 and 2200 Series Units

**Model #MA2-18 for 1800 Series**



**Model #MA2-22 for 2200 Series**



| model # | width |     | length |     | weight |      |
|---------|-------|-----|--------|-----|--------|------|
|         | in.   | mm  | in.    | mm  | lbs.   | kg   |
| MA2-18  | 20"   | 508 | 12"    | 305 | 26     | 11.8 |
| MA2-22  | 24"   | 610 | 12"    | 305 | 34     | 15.4 |

### Optional Stainless Steel Leg Kits

| add suffix # | description  |
|--------------|--|
| -SL          | stainless steel leg assemblies                                 |
| -SLF         | stainless steel leg assemblies & stainless steel feet          |
| -SLG         | stainless steel leg assemblies & stainless steel gussets       |
| -SLGF        | stainless steel leg assemblies, stainless steel feet & gussets |

**EAGLE GROUP**  
 100 Industrial Boulevard, Clayton, DE 19938-8903 USA  
 Phone: 302-653-3000 • Fax: 302-653-2065  
 www.eaglegrp.com

Foodservice Division: Phone 800-441-8440  
 MHC/Retail Display Divisions: Phone 800-637-5100

Printed in U.S.A.  
 ©2010 by Eagle Group

Rev. 06/10

Spec sheets available for viewing, printing or downloading from our online literature library at [www.eaglegrp.com](http://www.eaglegrp.com)

Although every attempt has been made to ensure the accuracy of the information provided, we cannot be held responsible for typographical or printing errors. Information and specifications are subject to change without notice. Please confirm at time of order.