



Profit from the Eagle Advantage®

Specification Sheet

Short Form Specifications

Eagle Chef's Line® Single-Tank Electric Fryer, model _____. Heavy gauge stainless steel top and front with aluminized steel sides. Stainless steel deep-drawn 10" x 14" fry tank is removable for cleaning or filtering. Snap action thermostat with indicator light, hi-limit safety control with reset button and indicator light. Two nickel-plated 4" x 11" fry baskets. Cast metal legs with flanged feet. 15-lb. fat capacity. Available in 120/60/1 15-amp, 208/60/1 19.8-amp, or 240/60/1 22.9-amp.

Eagle Chef's Line® Double-Tank Electric Fryer, model _____. Heavy gauge stainless steel top and front with aluminized steel sides. Stainless steel deep-drawn 10" x 14" fry tanks are removable for cleaning or filtering. Snap action thermostat with indicator light, hi-limit safety control with reset button and indicator light. Two nickel-plated 4" x 11" fry baskets per tank. Cast metal legs with flanged feet. 30-lb. fat capacity. Available in 208/60/1 39.6-amp or 240/60/1 45.8-amp.



single fryer



double fryer

Options / Accessories

- Double fry basket
- Night cover

NOTE: INTENDED FOR OTHER THAN HOUSEHOLD USE. THESE COMMERCIAL APPLIANCES MUST BE INSTALLED WITHIN SURROUNDINGS AND VENTILATION REQUIREMENTS AS DICTATED BY NATIONAL AND/OR LOCAL CODE.

EAGLE GROUP
 100 Industrial Boulevard, Clayton, DE 19938-8903 USA
 Phone: 302-653-3000 • Fax: 302-653-2065
 www.eaglegrp.com

Foodservice Division: Phone 800-441-8440
MHC/Retail Display Divisions: Phone 800-637-5100

For custom configuration or fabrication needs, contact our **SpecFAB® Division**.
 Phone: 302-653-3000 • Fax: 302-653-3091 • e-mail: specfab@eaglegrp.com

Item No.: _____
 Project No.: _____
 S.I.S. No.: _____

RedHots® Chef's Line® Fryers

MODELS:

- | | | |
|--------------------------------------|---------------------------------|---------------------------------|
| <input type="checkbox"/> CLEF10-120 | <input type="checkbox"/> 307543 | <input type="checkbox"/> 361993 |
| <input type="checkbox"/> CLEF10-240 | <input type="checkbox"/> 307546 | |
| <input type="checkbox"/> CLEF102-240 | <input type="checkbox"/> 309781 | |

Single-Tank Fryers

- 15-lb. fat capacity.
- Equipped with cord and plug for easy installation.
- Two nickel-plated fry baskets provided.

Double-Tank Fryers

- 30-lb. fat capacity.
- Equipped with terminal block for field-wiring.
- Four nickel-plated fry baskets provided.

Design and construction features on all units

- All-stainless steel fry tank is deep-drawn one-piece construction, removable for easy cleaning or filtering of fat.
- Stainless steel top and control panel.
- Snap action thermostat complete with indicator light for accurate temperature control.
- Hi-limit safety control provides total system shutdown in case of malfunction. Complete with reset button and indicator light.
- Heating elements are self-cleaning Incoloy® sheath for long life and high performance.
- Lift-up heater design with two-position stop for draining and removal of tank.
- 4" x 11" (102 x 279mm) fry baskets with heavy plated mesh construction. Optional double fry baskets available.
- Heavy duty cast metal legs with flanged feet adjustable from 4" to 5" (102 to 127mm).

Certifications / Approvals



Spec sheets available for viewing, printing or downloading from our online literature library at www.eaglegrp.com

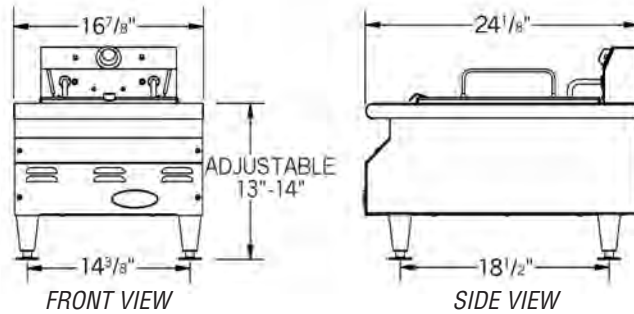


Profit from the Eagle Advantage®

Item No.: _____
 Project No.: _____
 S.I.S. No.: _____

RedHots® Chef's Line® Fryers

Single-Tank Fryers

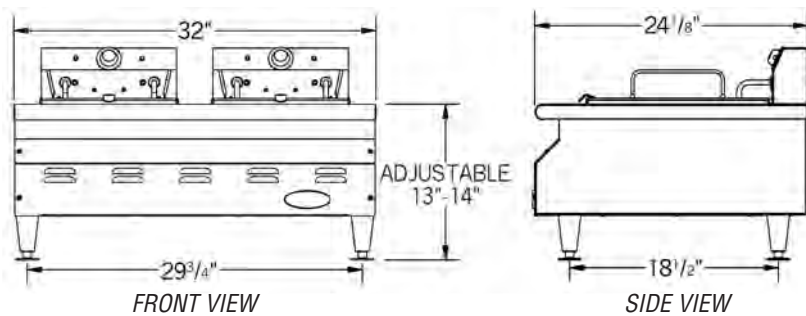


model #	electric data (based on single phase connection)	performance* — french fries, raw-to-finish	width		length		height		weight	
			in.	mm	in.	mm	in.	mm	lbs.	kg
CLEF10-120	120V, 15A, 1800W	120V: 6 lbs. (2.7 kg)/hr	16 ³ / ₈ "	426	24 ¹ / ₈ "	613	18 ³ / ₄ "	476	31	14.1
CLEF10-240**	208/240V, 19.8/22.9A, 4200/5500W	208V: 20 lbs. (9.1 kg)/hr 240V: 30 lbs. (13.6 kg)/hr	16 ³ / ₈ "	426	24 ¹ / ₈ "	613	18 ³ / ₄ "	476	31	14.1

* Double the performance for pre-cooked convenience foods. Pre-heat to 350°F for 4½ minutes. Fryer performance is limited by the maximum available voltage in line.

** 240-volt models can be used for 208V or 240V operation.

Double-Tank Fryers



model #	electric data (based on single phase connection)	performance* — french fries, raw-to-finish	width		length		height		weight	
			in.	mm	in.	mm	in.	mm	lbs.	kg
CLEF102-240**	208/240V, 39.6/45.8A, 8400/11000W	208V: 40 lbs. (18.1 kg)/hr 240V: 60 lbs. (27.2 kg)/hr	32"	813	24 ¹ / ₈ "	613	18 ³ / ₄ "	476	61	27.7

* Double the performance for pre-cooked convenience foods. Pre-heat to 350°F for 4½ minutes. Fryer performance is limited by the maximum available voltage in line.

** 240-volt models can be used for 208V or 240V operation.

Accessories/Replacements for Electric Fryers

model #	description
307543	replacement basket, left side, for single-tank fryers only
307546	replacement basket, right side, for single-tank fryers only
309781	double-fry basket, 8 ¹ / ₂ " x 9 ¹ / ₂ " x 4" (210 x 235 x 102mm)
361993	night cover*

* For double-tank fryers, two night covers are required.

EAGLE GROUP

100 Industrial Boulevard, Clayton, DE 19938-8903 USA

Phone: 302-653-3000 • Fax: 302-653-2065

www.eaglegrp.com

Foodservice Division: Phone 800-441-8440

MHC/Retail Display Divisions: Phone 800-637-5100

Printed in U.S.A.
 ©2010 by Eagle Group

Rev. 05/10

Spec sheets available for viewing, printing or downloading from our online literature library at www.eaglegrp.com

Although every attempt has been made to ensure the accuracy of the information provided, we cannot be held responsible for typographical or printing errors. Information and specifications are subject to change without notice. Please confirm at time of order.