



Profit from the Eagle Advantage®

Specification Sheet

Short Form Specifications

Eagle Deluxe Service Mates Buffet Hot Food Table, model _____ . Polished stainless steel top with black vinyl on steel body. Individual heat wells with recessed controls, 500 watts (at 120 volts) or 750 watts (at 208 or 240 volts) per well. Clear polycarbonate sneeze guard. Portable units feature black vinyl base and 4" swivel casters, two with brakes. Tabletop units feature adjustable feet for mounting onto tabletop.

Eagle Deluxe Service Mates Buffet Cold Pan Unit, model _____ . Polished stainless steel insulated ice cold pan, 6" deep with black vinyl on steel body. Clear polycarbonate sneeze guard. Portable units feature black vinyl base and 4" swivel casters, two with brakes. Tabletop units feature adjustable feet for mounting onto tabletop.



portable buffet hot food table

tabletop buffet cold pan table

Options / Accessories (see back page of EG30.16B)

- Fluorescent lights
- Vinyl skirts*
- Stainless steel skirts*
- Tray shelves
- Undershelf*
- Infrared bullet lamps
- Wood trimmed sneeze guards
- Stainless steel liners
- Stainless steel body upgrade
- 1000W heaters (for 240V units)

* For portable units

EAGLE GROUP

100 Industrial Boulevard, Clayton, DE 19938-8903 USA
Phone: 302-653-3000 • Fax: 302-653-2065
www.eaglegrp.com

Foodservice Division: Phone 800-441-8440

MHC/Retail Display Divisions: Phone 800-637-5100

For custom configuration or fabrication needs, contact our SpecFAB® Division.

Phone: 302-653-3000 • Fax: 302-653-2065 • e-mail: quotes@eaglegrp.com

Item No.: _____
 Project No.: _____
 S.I.S. No.: _____

Deluxe Service Mates— Buffet Hot Food and Cold Pan Units

MODELS:

- BPDHT2-120
- BPDHT2-208*
- BPDHT2-240*
- BPDHT3-120
- BPDHT3-208*
- BPDHT3-240*
- BPDHT4-120
- BPDHT4-208*
- BPDHT4-240*
- CDHT3-120
- CDHT3-208*
- CDHT3-240*
- CDHT2-120
- CDHT2-208*
- CDHT2-240*
- CDHT4-120
- CDHT4-208*
- CDHT4-240*
- BPCP-2
- BPCP-3
- BPCP-4
- CCP-2
- CCP-3
- CCP-4

* Available in three-phase. To order, add suffix "-3". Example: BPDHT3-240-3

Portable Buffet Hot Food Tables

- Clear polycarbonate sneeze guard.
- Polished 22 gauge type 430 stainless steel top.
- Black vinyl-clad 22 gauge steel body.
- Black vinyl-clad 18 gauge steel base.
- Individual heat wells with separate controls.
- 4" (102mm) swivel casters, two with brake.
- 22⁵/₁₆" (573mm) front-to-back**, 52³/₄" (1340mm) height.

Tabletop Buffet Hot Food Tables

- Clear polycarbonate sneeze guard.
- Polished 22 gauge type 430 stainless steel top.
- Black vinyl-clad 22 gauge steel body.
- Individual control for each well.
- Adjustable feet for mounting on tabletop.
- 22⁵/₁₆" (573mm) front-to-back**, 34³/₈" (880mm) height.

Portable Buffet Cold Food Tables

- Clear polycarbonate sneeze guard.
- Polished 20 gauge type 304 stainless steel insulated ice type cold pan.
- Black vinyl-clad 22 gauge steel body.
- Black vinyl-clad 18 gauge steel base.
- 4" (102mm) swivel casters, two with brake.
- 22⁵/₁₆" (573mm) front-to-back**, 52³/₄" (1340mm) height.

Tabletop Buffet Cold Food Tables

- Clear polycarbonate sneeze guard.
- Polished 20 gauge type 304 stainless steel insulated ice type cold pan.
- Black vinyl-clad 22 gauge steel body.
- Adjustable feet for mounting on tabletop.
- 22⁵/₁₆" (573mm) front-to-back**, 34³/₈" (880mm) height.

** Unit width only—does not include sneeze guard.

Certifications / Approvals
(Buffet Hot Food Tables)



New York MEA 376-84

AUTOQUOTES



EG30.16A Rev. 12/15

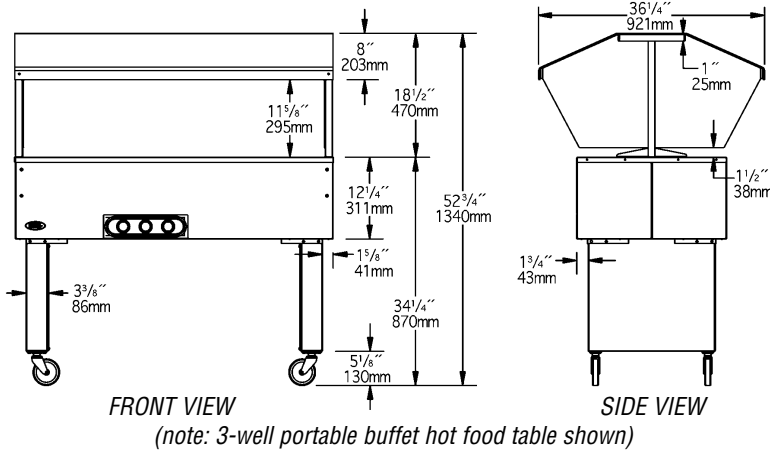
Spec sheets available for viewing, printing or downloading from our online literature library at www.eaglegrp.com

Eagle Foodservice Equipment, Eagle MHC, SpecFAB®, and Retail Display are divisions of Eagle Group. ©2015 by the Eagle Group



Item No.: _____
 Project No.: _____
 S.I.S. No.: _____

Deluxe Service Mates—Buffet Hot Food and Cold Pan Units



Receptacle Configurations Required

See charts below for applicable NEMA plug.

15A 120V	15A 240V	20A 240V	30A 120V	20A 3Ø 240V
furnished with NEMA 5-15 plug	furnished with NEMA 6-15 plug	furnished with NEMA 6-20 plug	furnished with NEMA 5-30 plug	furnished with NEMA 15-20 plug

Buffet Hot Food Tables—Single-Phase Units

PORTABLE MODELS			TABLETOP MODELS			# of top openings	length		watts	volts	amps	NEMA plug
model #	weight lbs.	weight kg	model #	weight lbs.	weight kg		in.	mm				
BPDHT2-120	212	96.2	CDHT2-120	149	67.6	2	33"	838	1000W	120V	8.3A	5-15P
BPDHT2-208	212	96.2	CDHT2-208	149	67.6	2	33"	838	1500W	208V	7.2A	6-15P
BPDHT2-240	212	96.2	CDHT2-240	149	67.6	2	33"	838	1500W	240V	6.25A	6-15P
BPDHT3-120	264	119.8	CDHT3-120	189	85.7	3	48"	1219	1500W	120V	12.5A	5-15P
BPDHT3-208	264	119.8	CDHT3-208	189	85.7	3	48"	1219	2250W	208V	10.8A	6-15P
BPDHT3-240	264	119.8	CDHT3-240	189	85.7	3	48"	1219	2250W	240V	9.38A	6-15P
BPDHT4-120	312	141.5	CDHT4-120	234	106.1	4	63½"	1613	2000W	120V	16.6A	5-30P
BPDHT4-208	312	141.5	CDHT4-208	234	106.1	4	63½"	1613	3000W	208V	14.4A	6-20P
BPDHT4-240	312	141.5	CDHT4-240	234	106.1	4	63½"	1613	3000W	240V	12.5A	6-20P

Buffet Hot Food Tables—Three-Phase Units

PORTABLE MODELS			TABLETOP MODELS			# of top openings	length		watts	volts	amps	NEMA plug
model #	weight lbs.	weight kg	model #	weight lbs.	weight kg		in.	mm				
BPDHT2-208-3	212	96.2	CDHT2-208-3	149	67.6	2	33"	838	1500W	208V	6.3A	15-20P
BPDHT2-240-3	212	96.2	CDHT2-240-3	149	67.6	2	33"	838	1500W	240V	5.4A	15-20P
BPDHT3-208-3	264	119.8	CDHT3-208-3	189	85.7	3	48"	1219	2250W	208V	6.3A	15-20P
BPDHT3-240-3	264	119.8	CDHT3-240-3	189	85.7	3	48"	1219	2250W	240V	5.4A	15-20P
BPDHT4-208-3	312	141.5	CDHT4-208-3	234	106.1	4	63½"	1613	3000W	208V	9.5A	15-20P
BPDHT4-240-3	312	141.5	CDHT4-240-3	234	106.1	4	63½"	1613	3000W	240V	8.3A	15-20P

Buffet Cold Pan Units

PORTABLE MODELS				TABLETOP MODELS							
weight		height		model #	weight		height		model #	length	
lbs.	kg	in.	mm		lbs.	kg	in.	mm		in.	mm
167	75.8	52½"	1337	BPCP-2	137	62.1	34½"	880	CCP-2	33"	838
203	92.1	52½"	1337	BPCP-3	157	71.2	34½"	880	CCP-3	48"	1219
240	108.9	52½"	1337	BPCP-4	188	85.3	34½"	880	CCP-4	63½"	1613

EAGLE GROUP
 100 Industrial Boulevard, Clayton, DE 19938-8903 USA
 Phone: 302-653-3000 • Fax: 302-653-2065
 www.eaglegrp.com

Foodservice Division: Phone 800-441-8440
 MHC/Retail Display Divisions: Phone 800-637-5100

Printed in U.S.A.
 ©2015 by Eagle Group

Rev. 12/15

Spec sheets available for viewing, printing or downloading from our online literature library at www.eaglegrp.com

Although every attempt has been made to ensure the accuracy of the information provided, we cannot be held responsible for typographical or printing errors. Information and specifications are subject to change without notice. Please confirm at time of order.