

STOCK POT STOVES



JSP-18



JSP-182

MODEL NO.	DESCRIPTION
<input type="checkbox"/> JSP-18	18" W SINGLE STOCK POT WITH ONE 2 RING BURNER
<input type="checkbox"/> JSP-218	36" W DOUBLE STOCK POT WITH TWO 2 RING BURNERS
<input type="checkbox"/> JSP-182	18" W DOUBLE STOCK POT WITH TWO 2 RING BURNERS
<input type="checkbox"/> JSP-24	18" W SINGLE STOCK POT WITH ONE 3 RING BURNER
<input type="checkbox"/> JSP-224	36" W DOUBLE STOCK POT WITH TWO 3 RING BURNERS
<input type="checkbox"/> JSP-324	54" W TRIPLE STOCK POT WITH THREE 3 RING BURNERS
<input type="checkbox"/> JSP-120	18" W SINGLE STOCK POT WITH ONE 3 RING BURNER
<input type="checkbox"/> JSP-240	36" W DOUBLE STOCK POT WITH TWO 3 RING BURNERS
<input type="checkbox"/> JSP-360	54" W TRIPLE STOCK POT WITH THREE 3 RING BURNERS

STANDARD FEATURES

- Stainless steel sides, front and plate shelf
- 45,000 or 100,000 BTU/hr cast iron open burners
- Infinite control manual gas valves at each burner ring for precise heat control
- Reversible cast iron top grates for woks or candy bowls (two ring burners only)
- Highly polished steel top grates (three ring burners only)
- 14 gauge stainless steel all welded construction
- Stainless steel tubing throughout
- One stainless steel pilot tip per burner ring
- Welded steel 14 gauge drip pan
- 3/4" gas regulator (shipped loose, MUST be installed for proper operation)

AVAILABLE OPTIONS

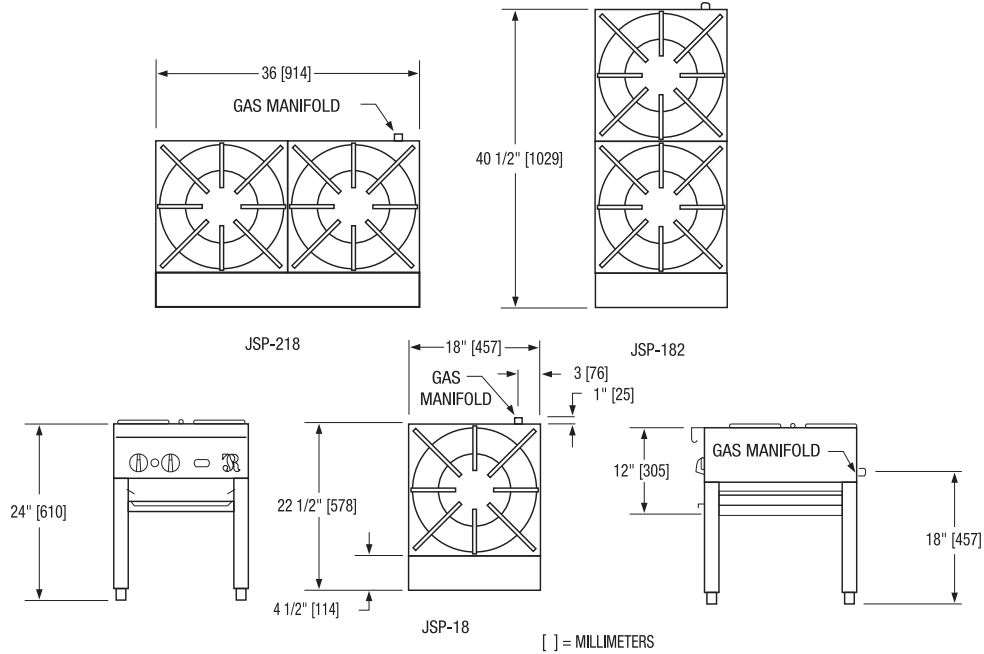
- 36" flex hose with quick disconnect and restraining device
- 48" flex hose with quick disconnect and restraining device
- Steel grates option

Note: Factory does not recommend the use of casters with any model.





STOCK POT STOVES



MODEL	BTUS	WIDTH	DEPTH	HEIGHT	APPX. SHP. WT.	APPX. CUBE
JSP-18	45,000	18"	22-1/2"	24"	90 LBS.	14
JSP-218	90,000	36"	22-1/2"	24"	165 LBS.	25
JSP-182	90,000	18"	40-1/2"	24"	175 LBS.	23
JSP-24	100,000	18"	22-1/2"	24"	100 LBS.	14
JSP-224	200,000	36"	22-1/2"	24"	180 LBS.	25
JSP-324	300,000	54"	22-1/2"	24"	200 LBS.	35
JSP-120	120,000	18"	22-1/2"	24"	100 LBS.	14
JSP-240	240,000	36"	22-1/2"	24"	180 LBS.	25
JSP-360	360,000	54"	22-1/2"	24"	200 LBS.	35

DESCRIPTION:

Stock Pot Stove, to be model # JSP-_____ manufactured by Jade Range, LLC. Provide heavy duty cast iron 45,000 or 100,000 BTU/hr open burners, controlled by infinite manual gas valves at each burner ring. Furnish reversible cast iron top grates (on two ring burners). To have 14 gauge stainless steel all welded construction with stainless steel front, plate shelf, gas tubing throughout and heavy gauge round tube legs with adjustable feet. Furnished with one stainless steel pilot per burner ring, 14 gauge welded drip tray. Unit to have 3/4" gas regulator.

SPECIFY TYPE OF GAS WHEN ORDERING.

SPECIFY ALTITUDE WHEN ABOVE 2,000 FT.

UTILITY INFORMATION:

- Ranges are supplied with 3/4" rear gas connection. Ranges are supplied with 3/4" gas pressure regulator. For 1-1/4" or 1" gas pressure regulator, see accessories.
- Required operating pressure:
 Natural Gas 5" W.C. minimum
 Propane Gas 10" W.C. minimum, 14" W.C. maximum

Note: This unit must be connected with the gas appliance regulator supplied.