



GEMU090



Interior

Chewable ice in a convenient under counter machine

- Exclusive Pure Ice® technology ensures fresh, odor-free ice every time.
- Features soft, chewable Pearl Ice®.
- Great for suites, break rooms, offices and cafés.

Features

- Up to 85 lbs (39 kg) production and 22 lbs (10 kg) storage capacity.
- Quiet operation.
- Optional drain pump available.
- Simple 115-volt plug-in design.

Options & Accessories

| WATER FILTERS | | | |
|-------------------|----------|-------------|-------------|
| Ice Machine Model | Manifold | | Inline |
| | System | Replacement | System |
| GEMU090 | N/A | N/A | IF14C/IF18C |

| ACCESSORIES | | | |
|-------------|---------------|--------------------------|---|
| Model | Description | Shipping Weight lbs (kg) | Size in. (mm) |
| KPU090 | Pump Kit | 7 (3.2) | 10 x 12 x 9 in. (254 x 305 x 229 mm) |
| 101148-59 | Scale Remover | 20 (9) per case of 12 | 12 individual 16 oz (473 ml) bottles |

Ice Maker Warranty

Every Ice-O-Matic ice maker is backed by a warranty that provides both parts and labor coverage.

- Two years **Parts** and **Labor**.

Ice Form



PEARL ICE

PEARL ICE DIMENSIONS

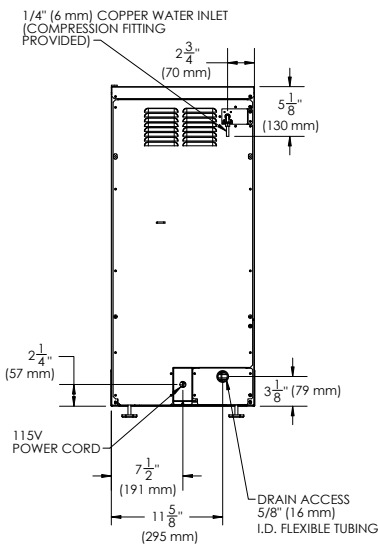
| | |
|----------------|------------|
| H x Dia. (in.) | 1/2 x 3/8 |
| H x Dia. (mm) | 12.7 x 9.5 |

24 Hour Ice Production

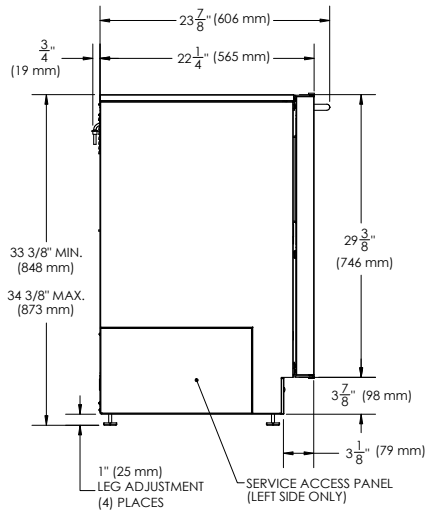
| Based on Air/Water Temperatures | Air-Cooled 24 Hour Production - lbs (kg) |
|---------------------------------|---|
| 70°F (21°C)/50°F (10°C) | 85 (39) |
| 90°F (32°C)/70°F (21°C) | 60 (27) |



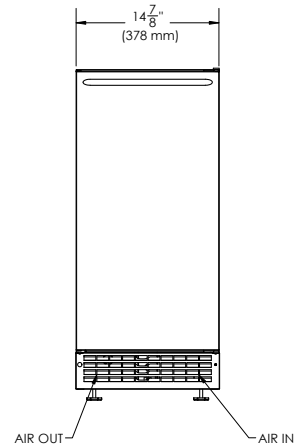
GEMU090 PEARL ICE® MAKER



REAR VIEW



LEFT VIEW



FRONT VIEW

Operating Requirements

| | MINIMUM | MAXIMUM |
|-------------------------|-------------------|-----------------|
| | 60 Hz | |
| Ambient Temp. Range Air | 50°F (10°C) | 100°F (38°C) |
| Water Temp. | 40°F (4.4°C) | 90°F (32°C) |
| Water Pressure | 20 PSIG (1.4 BAR) | 80 PSIG (5 BAR) |
| Electrical Voltage | -10% | +10% |

Dimensions

| ALL MODELS (without legs adjusted) | |
|------------------------------------|------------------------------|
| W x D x H (in.) | 14.875 x 23.625 x 33.375 min |
| W x D x H (mm) | 378 x 578 x 847 |

Specifications

| Model Number | Cond. Unit | Ice Production per 24 hrs | | Water Usage gallons per 100 lbs (45 kg) of ice 90°F (32°C) air/ 70°F (21°C) water | Potable | kWH Used per 100 lbs (45 kg) of ice 90°F (32°C) air/ 70°F (21°C) water | Voltage Characteristics | Min. Circuit Ampacity | Fuse Size | Amps |
|--------------|------------|---|---|---|---------|--|-------------------------|-----------------------|-----------|------|
| | | 70°F (21°C) air/ 50°F (10°C) water lbs (kg) | 90°F (32°C) air/ 70°F (21°C) water lbs (kg) | | | | | | | |
| GEMU090 | Air | 85 (39) | 60 (27) | 12 | | 10.7 | 115/60/1 | 5 | 15 | 5 |

NOTES:

- 3-prong power cord attached
- Approx. shipping weight for single unit = 133 lbs (60.5 kg). Listed weight does not include pallet.
- Shipping to distributor in pallets of 5 only.
- Total pallet shipping weight = 720 lbs (327.3 kg)