



Register Online!
(see page 2)

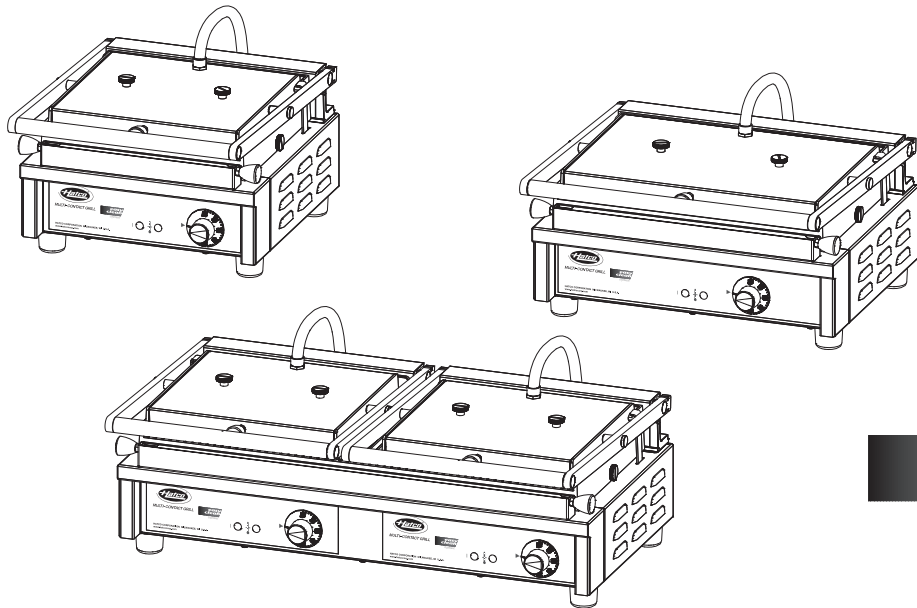
S'inscrire en ligne!
(voir page 13)



Multi Contact Grill Grills multi-contact MCG Series • Série MCG

Installation and Operating Manual Manuel d'installation et d'utilisation

P/N 07.04.661.00



⚠ WARNING

Do not operate this equipment unless you have read and understood the contents of this manual! Failure to follow the instructions contained in this manual may result in serious injury or death. This manual contains important safety information concerning the maintenance, use, and operation of this product. If you're unable to understand the contents of this manual, please bring it to the attention of your supervisor. Keep this manual in a safe location for future reference.

English = p 2

⚠ ADVERTENCIA

No opere este equipo al menos que haya leído y comprendido el contenido de este manual! Cualquier falla en el seguimiento de las instrucciones contenidas en este manual puede resultar en un serio lesión o muerte. Este manual contiene importante información sobre seguridad concerniente al mantenimiento, uso y operación de este producto. Si usted no puede entender el contenido de este manual por favor pregunte a su supervisor. Almacenar este manual en una localización segura para la referencia futura.

⚠ AVERTISSEMENT

Ne pas utiliser cet équipement sans avoir lu et compris le contenu de ce manuel ! Le non-respect des instructions contenues dans ce manuel peut entraîner de graves blessures ou la mort. Ce manuel contient des informations importantes concernant l'entretien, l'utilisation et le fonctionnement de ce produit. Si vous ne comprenez pas le contenu de ce manuel, veuillez le signaler à votre supérieur. Conservez ce manuel dans un endroit sûr pour pouvoir vous y référer plus tard.

Français = p 13

Important Owner Information	2	Operation	7
Introduction	2	General	7
Important Safety Information	3	Control Panel.....	7
Model Description	4	Operating the Unit	7
Model Designation	4	Balancing the Top Grill Plate	8
Specifications	4	Suggested Cook Temperatures and Times	8
Plug Configurations	4	Maintenance	9
Electrical Rating Charts	5	General	9
Dimensions	5	Daily Cleaning	9
Installation	6	Removing the Grill Plates.....	10
General	6	Troubleshooting Guide	11
		Options and Accessories	11
		Limited Warranty	12
		Authorized Parts Distributors	Back Cover

IMPORTANT OWNER INFORMATION

Record the model number, serial number, voltage, and purchase date of the unit in the spaces below (specification label located on the bottom the unit). Please have this information available when calling Hatco for service assistance.

Model No. _____

Serial No. _____

Voltage _____

Date of Purchase _____

Business Hours: 8:00 AM to 5:00 PM Central Standard Time (CST)
 (Summer Hours: June to September—
 8:00 AM to 5:00 PM CST Monday–Thursday
 8:00 AM to 2:30 PM CST Friday)

Telephone: 800-558-0607; 414-671-6350

e-mail: partsandservice@hatcocorp.com

Fax: 800-690-2966 (Parts and Service)
 414-671-3976 (International)



24 Hour 7 Day Parts and Service Assistance available in the United States and Canada by calling 800-558-0607.

Additional information can be found by visiting our web site at www.hatcocorp.com.

Register your unit!

Completing online warranty registration will prevent delay in obtaining warranty coverage. Access the Hatco website at www.hatcocorp.com, select the *Parts & Service* pull-down menu, and click on "Warranty Registration".

INTRODUCTION

Hatco Multi Contact Grills offer quick, reliable, and versatile cooking options for commercial kitchens as well as display cooking locations. The adjustable temperature control along with the standard grooved grill plates and accessory smooth grill plates enable the Multi Contact Grill to cook a variety of food product including paninis, hamburgers, fish, and vegetables. The Multi Contact Grill's *easy clean System*® provides quick removal and easy cleaning of the grill plates. Exclusive top and bottom heating element packs provide exceptional heat distribution over the entire grill plate surface.

Hatco Multi Contact Grills are products of extensive research and field testing. The materials used were selected for maximum durability, attractive appearance, and optimum performance. Every unit is inspected and tested thoroughly prior to shipment.

This manual provides installation, safety, and operating instructions for Multi Contact Grills. Hatco recommends all installation, operating, and safety instructions appearing in this manual be read prior to installation or operation of a unit.

Safety information that appears in this manual is identified by the following signal word panels:



WARNING indicates a hazardous situation which, if not avoided, could result in death or serious injury.



CAUTION indicates a hazardous situation which, if not avoided, could result in minor or moderate injury.



NOTICE is used to address practices not related to personal injury.



Read the following important safety information before using this equipment to avoid serious injury or death and to avoid damage to equipment or property.

WARNING**ELECTRIC SHOCK HAZARD:**

- Plug unit into a properly grounded electrical receptacle of the correct voltage, size, and plug configuration. If plug and receptacle do not match, contact a qualified electrician to determine and install proper voltage and size electrical receptacle.
- Turn OFF power switch, unplug power cord, and allow unit to cool before performing any cleaning, adjustments, or maintenance.
- Unit is not weatherproof. Locate unit indoors where ambient air temperature is a minimum of 50°F (10°C) and a maximum of 104°F (40°C).
- DO NOT submerge or saturate with water. Unit is not waterproof. Do not operate if unit has been submerged or saturated with water.
- Do not steam clean or use excessive water on unit.
- This unit is not “jet-proof” construction. Do not use jet-clean spray to clean this unit.
- Do not clean unit when it is energized or hot.
- Do not allow liquids to spill into unit.
- Do not pull unit by power cord.
- Do not allow power cord to hang over edge of counter.
- Discontinue use if power cord is frayed or worn.
- Do not attempt to repair or replace a damaged power cord. Cord must be replaced by Hatco, an Authorized Hatco Service Agent, or a person with similar qualifications.
- This unit must be serviced by qualified personnel only. Service by unqualified personnel may lead to electric shock or burn.
- Use only Genuine Hatco Replacement Parts when service is required. Failure to use Genuine Hatco Replacement Parts will void all warranties and may subject operators of the equipment to hazardous electrical voltage, resulting in electrical shock or burn. Genuine Hatco Replacement Parts are specified to operate safely in the environments in which they are used. Some aftermarket or generic replacement parts do not have the characteristics that will allow them to operate safely in Hatco equipment.

EXPLOSION HAZARD: Do not store or use gasoline or other flammable vapors or liquids in the vicinity of this or any other appliance.

Make sure all operators have been instructed on the safe and proper use of the unit.

This unit is not intended for use by children or persons with reduced physical, sensory, or mental capabilities. Ensure proper supervision of children and keep them away from the unit.

Never leave unit unattended during use.

Do not use unit for any purpose other than for which it is designed.

WARNING**FIRE HAZARD:**

- Locate unit a minimum of 8” (200 mm) from combustible walls and materials. If safe distances are not maintained, discoloration or combustion could occur.
- Do not obstruct air ventilation openings on outer housing of unit. Unit combustion or malfunction may occur.

This unit has no “user-serviceable” parts. If service is required on this unit, contact an Authorized Hatco Service Agent or contact the Hatco Service Department at 800-558-0607 or 414-671-6350; fax 800-690-2966; or International fax 414-671-3976.

CAUTION**BURN HAZARD:**

- Some exterior surfaces on unit will get hot. Avoid unnecessary contact with unit.
- Do not come in contact with grill plates during operation. Both plates are very hot.
- Allow unit to cool before performing any cleaning, adjustments, or maintenance.

Locate unit at proper counter height in an area that is convenient for use. Location should be level and strong enough to support weight of unit and contents.

NOTICE

This unit is designed for use in environments where ambient temperature is between 50°F (10°C) and 104°F (40°C).

Do not locate unit in an area subject to excessive temperatures or grease from grills, fryers, etc. Excessive temperatures and grease could cause damage to unit.

Unit is recommended for use in or on metallic countertops. For other surfaces, verify with manufacturer that material is suitable for prolonged temperatures up to 200°F (93°C). Damage to any countertop material caused by heat generated from Hatco equipment is not covered under Hatco warranty.

For steel surfaces, use non-abrasive cleaners and cloths only. Abrasive cleaners and cloths could scratch finish of unit, marring its appearance and making it susceptible to soil accumulation.

Do not use harsh chemicals such as bleach, cleaners containing bleach, or oven cleaners to clean this unit.

Do not attempt to cool hot grill plates quickly, such as by immersing in water. Damage to plates will occur.

This unit is intended for commercial use only—NOT for household use.

Clean unit daily to avoid malfunctions and maintain sanitary operation.

MODEL DESCRIPTION

All Models

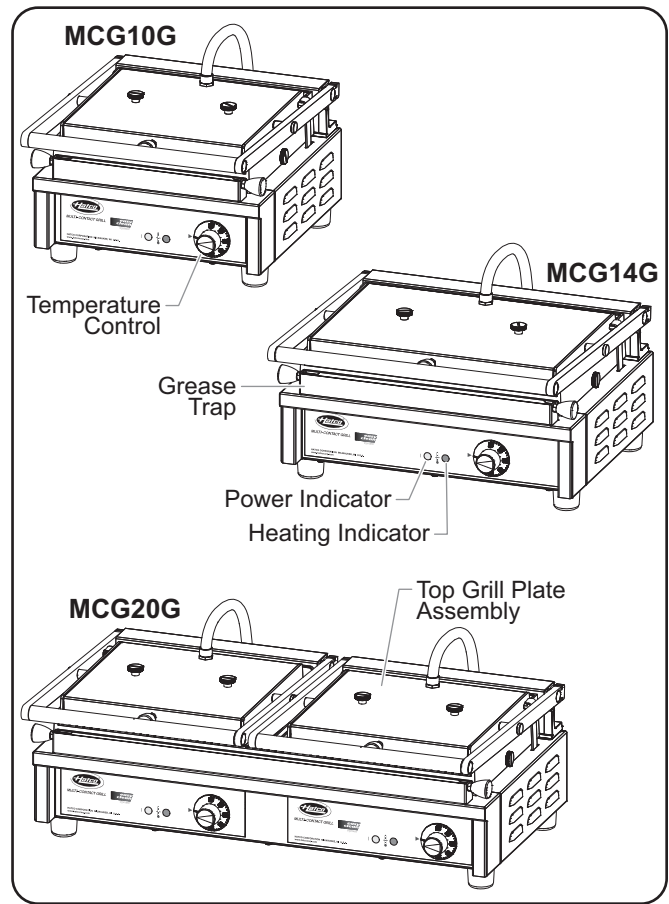
Hatco Multi Contact Grills consist of an easy-to-clean stainless steel frame. Enamel-coated, removable cast iron grill plates come standard with a grooved surface. The units feature an adjustable Temperature Control(s) with a range from 120°F–570°F (50°C–300°C), a power indicator, a heating indicator, and a removable grease trap. All units are equipped with a factory attached 6' (1829 mm) power cord and plug.

Multi-Contact Grills are equipped with a self-adjusting top grill plate that has the ability to grill food product of different thickness and size. The maximum product thickness for each model with the grill plates parallel is as follows:

- Model MCG10G = 2-3/8" (60 mm)
- Model MCG14G = 2-3/4" (70 mm)
- Model MCG20G = 2-3/8" (60 mm)

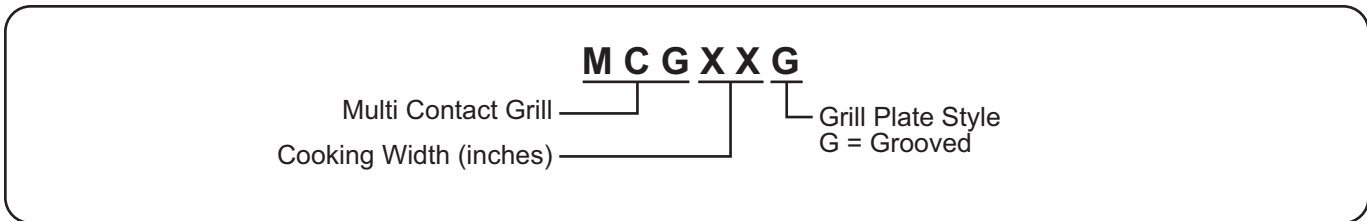
NOTE: Thicker food product can be grilled, but the plates will not be parallel and the top plate will not rest flat on the top surface of the food product.

Smooth surface top and bottom grill plates are available as accessories. Refer to the OPTIONS AND ACCESSORIES section for details.



Multi Contact Grills

MODEL DESIGNATION



SPECIFICATIONS

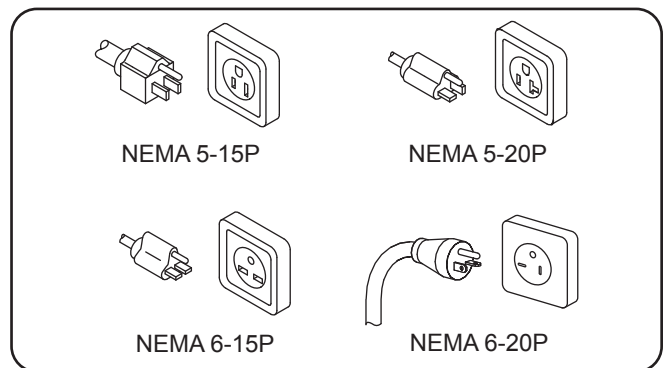
Plug Configurations

Units are supplied from the factory with an electrical cord and plug. Plugs are supplied according to the application.



ELECTRIC SHOCK HAZARD: Plug unit into a properly grounded electrical receptacle of the correct voltage, size, and plug configuration. If plug and receptacle do not match, contact a qualified electrician to determine and install proper voltage and size electrical receptacle.

NOTE: Receptacle not supplied by Hatco.



Plug Configurations

Electrical Rating Chart

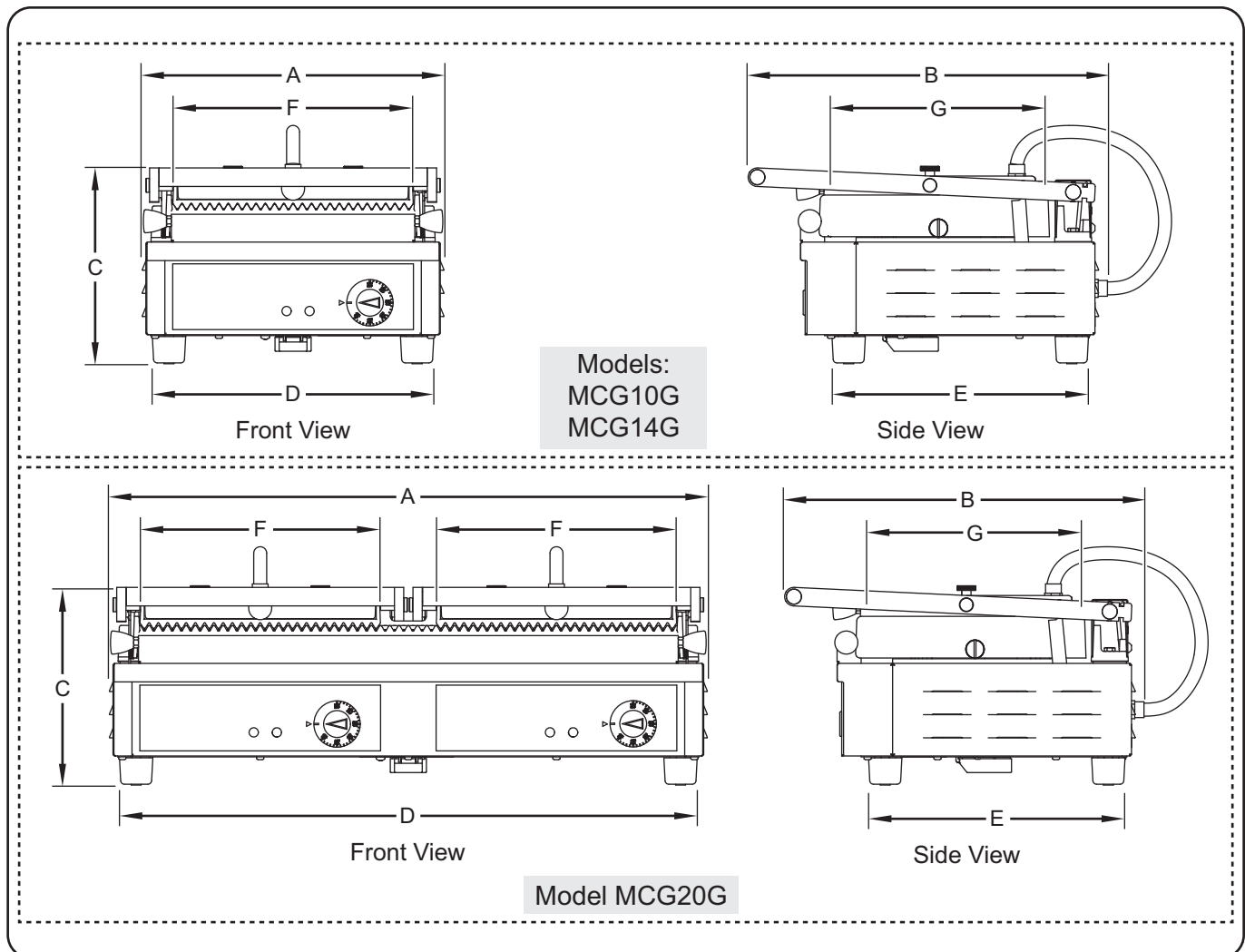
Model	Voltage	Watts	Amps	Plug Configuration	Unit Weight
MCG10G	120*	1800	15	NEMA 5-15P	47 lbs. (21 kg)
MCG14G	120*	1800	15	NEMA 5-15P	62 lbs. (28 kg)
	208-240 †	1950-2600	9.4-10.8	NEMA 6-15P	62 lbs. (28 kg)
MCG20G	208-240 †	2820-3760	13.6-15.7	NEMA 6-20P	93 lbs. (42 kg)

* 120 V Canadian units operate at 1800 W and 15 A with a NEMA 5-20P plug configuration.

† Unit is designed to operate on supply voltages between 208 V and 240 V.

Dimensions

Model	Width (A)	Depth (B)	Height (C)	Footprint Width (D)	Footprint Depth (E)	Cooking Width (F)	Cooking Depth (G)
MCG10G	12-7/8" (326 mm)	15-5/16" (388 mm)	8-7/16" (214 mm)	12" (305 mm)	10-7/8" (276 mm)	10-1/4" (260 mm)	9" (229 mm)
MCG14G	16-3/8" (416 mm)	15-5/16" (388 mm)	8-7/16" (214 mm)	15-1/2" (394 mm)	10-7/8" (276 mm)	13-3/4" (350 mm)	9" (229 mm)
MCG20G	25-7/16" (646 mm)	15-5/16" (388 mm)	8-7/16" (214 mm)	24-9/16" (624 mm)	10-7/8" (276 mm)	10-1/4" (260 mm)	9" (229 mm)



General

Hatco Multi Contact Grills are shipped pre-assembled and ready to use. Care should be taken when unpacking the shipping carton to avoid damage to the unit. The following installation procedure must be performed before connecting electricity and operating the unit.

⚠ WARNING

ELECTRIC SHOCK HAZARD: Unit is not weatherproof. Locate unit indoors where ambient air temperature is a minimum of 70°F (21°C).

FIRE HAZARD:

- Locate unit a minimum of 8" (200 mm) from combustible walls and materials. If safe distances are not maintained, discoloration or combustion could occur.
- Do not obstruct air ventilation openings on outer housing of unit. Unit combustion or malfunction may occur.

1. Inspect the shipping carton for obvious signs of transit damage. If damaged, inform the freight company immediately. **CAUTION! Stop! Do not attempt to use unit if damaged. Contact Hatco for assistance.**
2. Remove the unit and any loose components/accessories from the shipping carton. The following loose components are included in every Multi Contact Grill:
 - Grease Trap
 - Hex Wrench (for top grill plate balancing)

NOTE: To prevent delay in obtaining warranty coverage, complete online warranty registration. See the IMPORTANT OWNER INFORMATION section for details.

3. Remove tape and protective packaging from all surfaces of the unit.
 - Make sure to remove all protective film from the stainless steel surfaces.
4. Inspect the unit for freight damage such as dents in housing or broken knobs. If damaged, inform the freight company immediately.

⚠ CAUTION

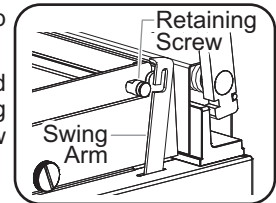
Locate unit at proper counter height in an area that is convenient for use. Location should be level and strong enough to support weight of unit and contents.

NOTICE

Do not locate unit in an area subject to excessive temperatures or grease from grills, fryers, etc. Excessive temperatures and grease could cause damage to unit.

Unit is recommended for use in or on metallic countertops. For other surfaces, verify with manufacturer that material is suitable for prolonged temperatures up to 200°F (93°C). Damage to any countertop material caused by heat generated from Hatco equipment is not covered under Hatco warranty.

5. Place the unit in the desired location.
 - Locate the unit in an area where the ambient air temperature is constant and a minimum of 50°F (10°C) to a maximum of 104°F (40°C). Avoid areas that may be subject to active air movements or currents (i.e., near exhaust fans/hoods and air conditioning ducts).
 - Make sure the unit is at the proper counter height in an area convenient for use.
 - Make sure the countertop is level and strong enough to support the weight of the unit and food product.
 - Make sure all the feet on the bottom of the unit are positioned securely on the countertop.
6. Attach the swing arm to the top grill plate assembly.
 - Lift up the swing arm and place the cutout on the swing arm over the retaining screw on the top grill plate.



General

Hatco Multi Contact Grills are designed for ease of operation and versatility. Use the following information and procedures to operate the grill.



WARNING

Read all safety messages in the **IMPORTANT SAFETY INFORMATION** section before operating this equipment.

Control Panel

The following are descriptions of the controls used to operate a Multi Contact Grill. All controls are located on the control panel at the front of the unit.

Power Indicator

The Power Indicator illuminates when the unit is on.

Heating Indicator

The Heating Indicator illuminates when the heating elements are on and heating the grill plates.

Temperature Control

The Temperature Control controls the power to the unit as well as the temperature setting. Turn the Temperature Control clockwise to turn on and increase the temperature setting. Turn the Temperature Control counterclockwise to decrease the temperature setting and turn off the unit.

Operating the Unit

Startup

1. Plug the unit into a properly grounded electrical receptacle of the correct voltage, size, and plug configuration. See the SPECIFICATIONS section for details.
2. Make sure the grease trap is in position and the top grill plate is down in the closed/operating position.



CAUTION

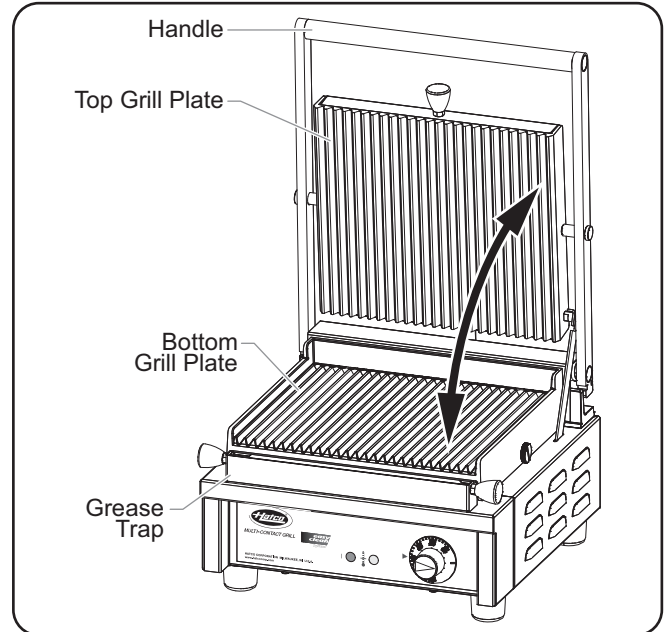
BURN HAZARD:

- Some exterior surfaces on unit will get hot. Avoid unnecessary contact with unit.
 - Do not come in contact with grill plates during operation. Both plates are very hot.
3. Turn the Temperature Control clockwise to the desired temperature setting.
 - Both the Power Indicator and the Heating Indicator will illuminate.

4. Allow the unit approximately 20 minutes to reach operating temperature.
 - The Heating Indicator will go dark when the unit reaches the selected temperature.

NOTE: Refer to the "Suggested Cook Temperatures and Times" chart in this section for examples of food products that can be cooked on the Multi Contact Grill.

5. Lift the top grill plate handle to open up the unit.
6. Carefully apply a small amount of cooking oil to the top and bottom grill plates.
7. Place food product onto the bottom grill plate, and close the top grill plate onto the food product.

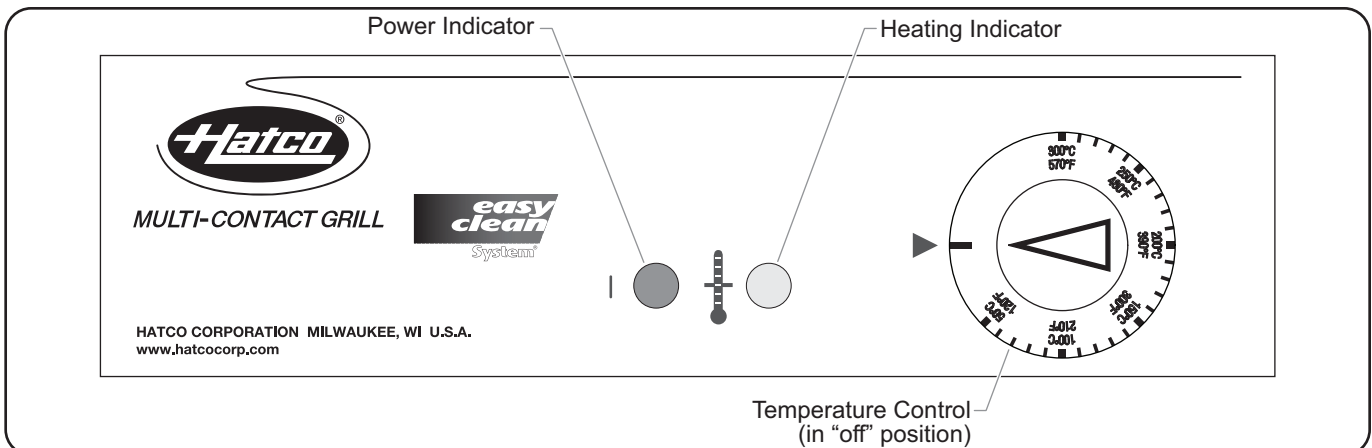


Model MCG10G in open position

NOTE: If the top grill plate does not stay down and rest flat on top of the food product, it needs to be balanced. Refer to the "Balancing the Top Grill Plate" procedure in this section.

8. When cooking is complete, lift the top grill plate handle to open up the unit and remove the food product.

continued...



Control Panel (MCG10G shown)

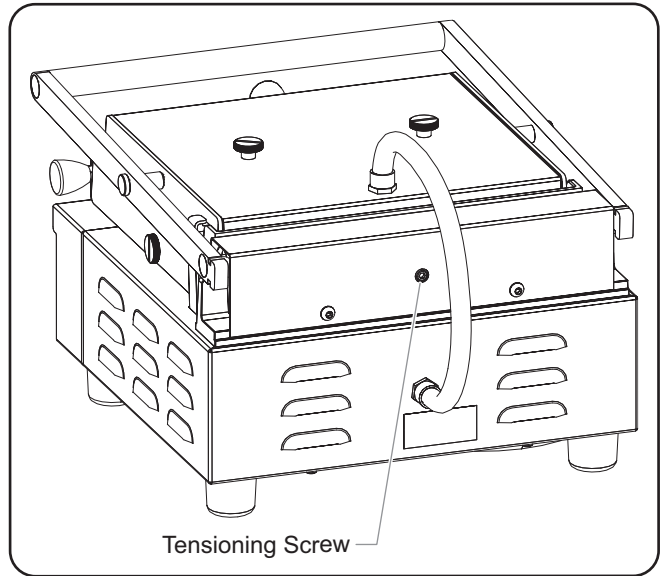
Shutdown

1. Turn the Temperature Control fully counterclockwise to the "off" position.
2. Perform the "Daily Cleaning" procedure in the Maintenance section of this manual.

Balancing the Top Grill Plate

Perform the following procedure to balance the top grill plate. A properly balanced top grill plate will stay down and rest flat on the food product during operation. The top grill plate is balanced by adjusting the tension on the top grill plate hinge assembly.

1. Turn off the unit, unplug the power cord, and allow the unit to cool.
2. Locate the tensioning screw on the back of the unit.
3. Using the hex wrench included with the unit, adjust the tension on the top grill plate hinge assembly.
 - Turn the tensioning screw clockwise to increase the tension on the hinge assembly.
 - Turn the tensioning screw counterclockwise to decrease the tension on the hinge assembly.
4. Test the operation of the top grill plate assembly and readjust, if necessary.



Location of Tensioning Screw

Suggested Cook Temperatures and Times		
Food Product	Cook Temperature	Cook Time
Vegetables	210°–300°F (100°–150°C)	4 minutes
Eggs	300°–390°F (150°–200°C)	2 minutes
Fish	300°–390°F (150°–200°C)	1-1/2 minutes
Shrimp	390°–480°F (200°–250°C)	3 minutes
Hamburgers	390°–480°F (200°–250°C)	2-1/2 minutes
Steak	390°–480°F (200°–250°C)	2 minutes
Paninis	480°–570°F (250°–300°C)	3 minutes

NOTE: Cook temperatures and times may vary depending on the thickness of the food product as well as the desired style of cooking.

General

Hatco Multi Contact Grills are designed for maximum durability and performance with minimum maintenance.



ELECTRIC SHOCK HAZARD:

- Turn OFF power switch, unplug power cord, and allow unit to cool before performing any cleaning, adjustments, or maintenance.
- DO NOT submerge or saturate with water. Unit is not waterproof. Do not operate if unit has been submerged or saturated with water.
- Do not steam clean or use excessive water on unit.
- This unit is not “jet-proof” construction. Do not use jet-clean spray to clean this unit.
- Do not clean unit when it is energized or hot.
- Do not allow liquids to spill into unit.
- This unit must be serviced by qualified personnel only. Service by unqualified personnel may lead to electric shock or burn.
- Use only Genuine Hatco Replacement Parts when service is required. Failure to use Genuine Hatco Replacement Parts will void all warranties and may subject operators of the equipment to hazardous electrical voltage, resulting in electrical shock or burn. Genuine Hatco Replacement Parts are specified to operate safely in the environments in which they are used. Some aftermarket or generic replacement parts do not have the characteristics that will allow them to operate safely in Hatco equipment.

This unit has no “user-serviceable” parts. If service is required on this unit, contact an Authorized Hatco Service Agent or contact the Hatco Service Department at 800-558-0607 or 414-671-6350; fax 800-690-2966; or International fax 414-671-3976.



BURN HAZARD: Allow unit to cool before performing any cleaning, adjustments, or maintenance.

Daily Cleaning

To preserve the finish of the unit as well as maintain performance, it is recommended that the unit be cleaned daily.



Submerging or saturating unit with water may cause serious injury, will damage the unit, and void unit warranty.


NOTICE

For steel surfaces, use non-abrasive cleaners and cloths only. Abrasive cleaners and cloths could scratch finish of unit, marring its appearance and making it susceptible to soil accumulation.

Do not use harsh chemicals such as bleach, cleaners containing bleach, or oven cleaners to clean this unit.

Do not attempt to cool hot grill plates quickly, such as by immersing in water. Damage to plates will occur.

Clean unit daily to avoid malfunctions and maintain sanitary operation.

1. Turn the Temperature Control fully counterclockwise to the “off” position, unplug the power cord, and allow the unit to cool.
 2. Brush or wipe all food crumbs, oil, etc. from both grill plates into the grease trap.
 3. Remove, empty, and clean the grease trap.
 - a. Wash the grease trap with warm water and a mild detergent. Rinse with water.
 - b. Allow the grease trap to air dry, or dry with a soft cloth.
 4. Clean the grill plates.
 - a. Perform the “Removing the Grill Plates” procedure in this section. 
 - b. Clean each grill plate using a wire brush/steel scrub pad, dish soap, and water. Rinse thoroughly with clean water.
- NOTE: The cast iron grill plates are dishwasher-safe.*
- c. Wipe clean all axis pins, cotter pins, and thumbscrews, with a non-abrasive, damp cloth. Wipe dry with a non-abrasive, dry cloth.
 5. Wipe all exterior surfaces of the unit with a non-abrasive cloth dampened in warm water and a mild soap. Stubborn stains may be removed with a good stainless steel cleaner. Hard to reach areas should be cleaned with a small brush and mild soap.
 6. Rinse the unit thoroughly using a non-abrasive cloth dampened in warm water only.
 7. Dry the unit using a clean, dry, non-abrasive cloth.
 8. Reinstall the grill plates. To reinstall, reverse the “Removing the Grill Plates” procedure in this section.
 9. Reinstall the grease trap.

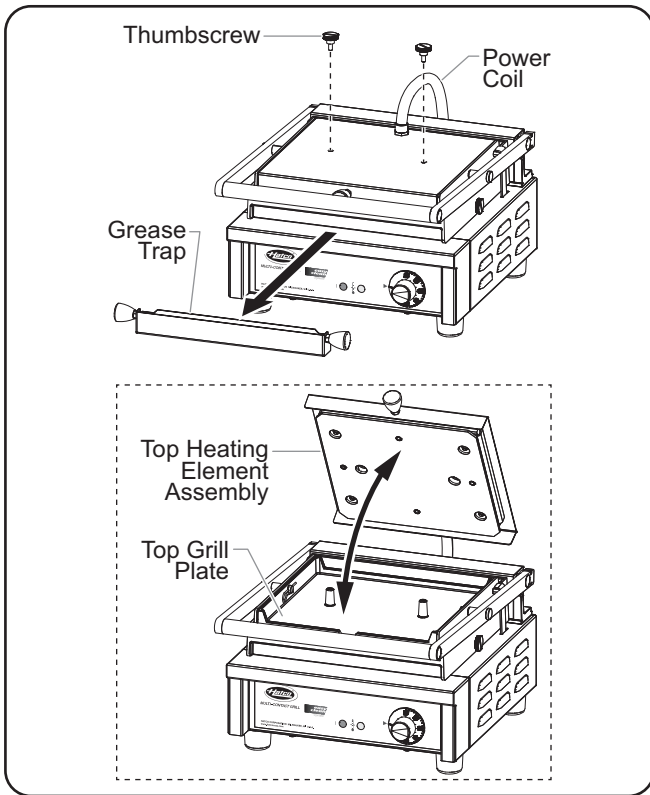
Removing the Grill Plates

Use the following procedure to remove the top and bottom grill plates for cleaning.



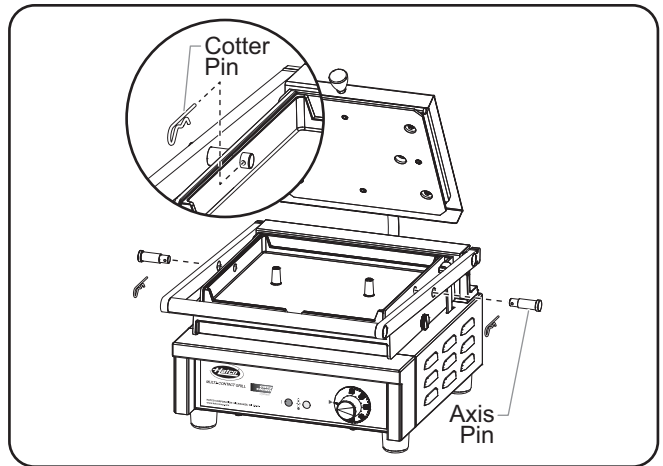
BURN HAZARD: Allow unit to cool before performing any cleaning, adjustments, or maintenance.

1. Turn the Temperature Control fully counterclockwise to the "off" position, unplug the power cord, and allow the unit to cool.
2. Remove the grease trap, if present.
3. Remove the two thumbscrews on the cover of the top heating element assembly.
4. Lift the top heating element assembly off of the top grill plate and set aside. The power coil still will be attached between the top element assembly and the base of the unit.



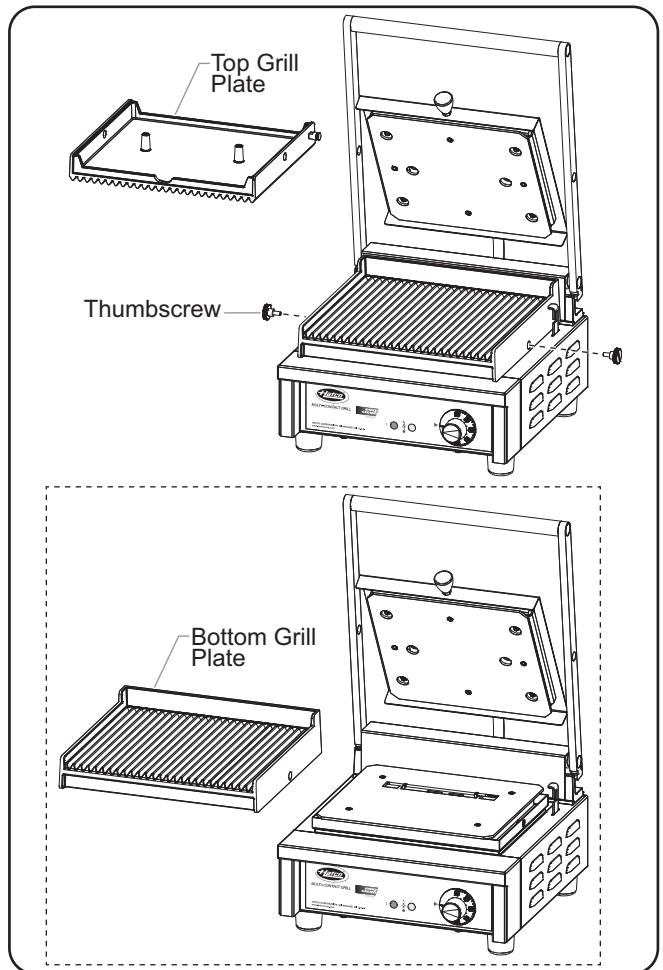
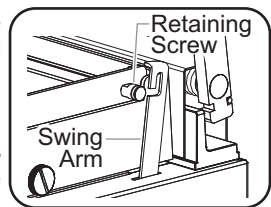
Removing Thumbscrews and the Heating Element Assembly

5. Remove the cotter pins from the axis pins on each side of the top grill plate. Note the orientation of the cotter pins for reassembly.
6. Remove the two axis pins.



Removing the Cotter and Axis Pins

7. Remove the swing arm from the retaining screw on the top grill plate.
8. Remove the top grill plate.
9. Remove the two thumbscrews from the bottom grill plate (one on each side of the plate).
10. Remove the bottom grill plate.



Removing the Top and Bottom Grill Plates

⚠ WARNING

This unit must be serviced by qualified personnel only. Service by unqualified personnel may lead to electric shock or burn.

⚠ WARNING

ELECTRIC SHOCK HAZARD: Turn OFF power switch, unplug power cord, and allow unit to cool before performing any cleaning, adjustments, or maintenance.

Symptom	Probable Cause	Corrective Action
Unit turned "On", but no heat.	Heating element(s) defective.	Contact Authorized Service Agent or Hatco for assistance.
	Temperature Control defective.	Contact Authorized Service Agent or Hatco for assistance.
Unit not hot enough.	Temperature Control setting too low.	Turn Temperature Control clockwise to increase the temperature setting.
	Heating element(s) defective.	Contact Authorized Service Agent or Hatco for assistance.
Unit not working at all.	Unit not turned on.	Reviewing "Operating the Unit" in the OPERATION section of this manual.
	Unit not plugged in.	Plug unit into proper power supply.
	Circuit breaker tripped.	Reset circuit breaker. If circuit breaker continues to trip, contact an Authorized Service Agent or Hatco for assistance.
	Temperature Control defective.	Contact Authorized Service Agent or Hatco for assistance.

Troubleshooting Questions?

If you continue to have problems resolving an issue, please contact the nearest Authorized Hatco Service Agency or Hatco for assistance. To locate the nearest Service Agency, log onto the Hatco website at www.hatcocorp.com and click on *Find Service Agent*, or contact the **Hatco Parts and Service Team** at:

Telephone: 800-558-0607 or 414-671-6350

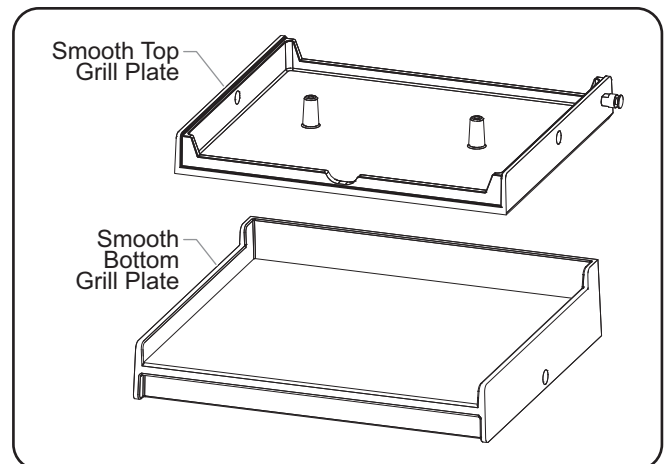
e-mail: partsandservice@hatcocorp.com

Fax: 800-690-2966 or 414-671-3976

OPTIONS AND ACCESSORIES**Smooth Grill Plates**

Smooth top and bottom grill plates are available as accessories for all Multi Contact Grills.

- SB-S**Smooth Bottom Grill Plate, MCG10G
- ST-S**Smooth Top Grill Plate, MCG10G
- SB-M**Smooth Bottom Grill Plate, MCG14G
- ST-M**Smooth Top Grill Plate, MCG14G
- SB-L**Smooth Bottom Grill Plate, MCG20G
- ST-LL**Smooth Top Grill Plate, Left, MCG20G
- ST-LR**Smooth Top Grill Plate, Right, MCG20G



Smooth Top and Bottom Grill Plates, Model MCG10G

1. PRODUCT WARRANTY

Hatco warrants the products that it manufactures (the "Products") to be free from defects in materials and workmanship, under normal use and service, for a period of one (1) year from the date of purchase when installed and maintained in accordance with Hatco's written instructions or 18 months from the date of shipment from Hatco. Buyer must establish the Product's purchase date by registering the Product with Hatco or by other means satisfactory to Hatco in its sole discretion.

Hatco warrants the following Product components to be free from defects in materials and workmanship from the date of purchase (subject to the foregoing conditions) for the period(s) of time and on the conditions listed below:

- a) **One (1) Year Parts and Labor PLUS One (1) Additional Year Parts-Only Warranty:**
 - Conveyor Toaster Elements (metal sheathed)
 - Drawer Warmer Elements (metal sheathed)
 - Drawer Warmer Drawer Rollers and Slides
 - Strip Heater Elements (metal sheathed)
 - Display Warmer Elements (metal sheathed air heating)
 - Holding Cabinet Elements (metal sheathed air heating)
 - Heated Well Elements — HW and HWB Series (metal sheathed)

- b) **One (1) Year Parts and Labor PLUS Four (4) Years Parts-Only Warranty:**
 - 3CS and FR Tanks

- c) **One (1) Year Parts and Labor PLUS Nine (9) Years Parts-Only Warranty on:**
 - Electric Booster Heater Tanks
 - Gas Booster Heater Tanks

- d) **Ninety (90) Day Parts-Only Warranty:**
 - Replacement Parts

THE FOREGOING WARRANTIES ARE EXCLUSIVE AND IN LIEU OF ANY OTHER WARRANTY, EXPRESSED OR IMPLIED, INCLUDING BUT NOT LIMITED TO ANY IMPLIED WARRANTY OF MERCHANTABILITY OR FITNESS FOR A PARTICULAR PURPOSE OR PATENT OR OTHER INTELLECTUAL PROPERTY RIGHT INFRINGEMENT. Without limiting the generality of the foregoing, SUCH WARRANTIES DO NOT COVER: Coated incandescent light bulbs, fluorescent lights, heat lamp bulbs, coated halogen light bulbs, halogen heat lamp bulbs, xenon light bulbs, LED light tubes, glass components, and fuses; Product failure in booster tank, fin tube heat exchanger, or other water heating equipment caused by liming, sediment buildup, chemical attack, or freezing; or Product misuse, tampering or misapplication, improper installation, or application of improper voltage.

2. LIMITATION OF REMEDIES AND DAMAGES

Hatco's liability and Buyer's exclusive remedy hereunder will be limited solely, at Hatco's option, to repair or replacement using new or refurbished parts or Product by Hatco or a Hatco-authorized service agency (other than where Buyer is located outside of the United States, Canada, United Kingdom, or Australia, in which case Hatco's liability and Buyer's exclusive remedy hereunder will be limited solely to replacement of part under warranty) with respect to any claim made within the applicable warranty period referred to above. Hatco reserves the right to accept or reject any such claim in whole or in part. In the context of this Limited Warranty, "refurbished" means a part or Product that has been returned to its original specifications by Hatco or a Hatco-authorized service agency. Hatco will not accept the return of any Product without prior written approval from Hatco, and all such approved returns shall be made at Buyer's sole expense. HATCO WILL NOT BE LIABLE, UNDER ANY CIRCUMSTANCES, FOR CONSEQUENTIAL OR INCIDENTAL DAMAGES, INCLUDING BUT NOT LIMITED TO LABOR COSTS OR LOST PROFITS RESULTING FROM THE USE OF OR INABILITY TO USE THE PRODUCTS OR FROM THE PRODUCTS BEING INCORPORATED IN OR BECOMING A COMPONENT OF ANY OTHER PRODUCT OR GOODS.

Informations Importantes pour le Propriétaire	13	Mode d'emploi	18
Introduction	13	Généralités	18
Consignes de Sécurité Importantes	14	Panneau de commande	18
Description du Modèle	15	Fonctionnement de l'appareil	18
Désignation du Modèle	15	Équilibrage de la plaque de cuisson supérieure	19
Caractéristiques Techniques	15	Températures et délais de cuisson suggérés	19
Configuration des fiches	15	Maintenance	20
Tableau des valeurs nominales électriques	16	Généralités	20
Dimensions	16	Nettoyage quotidien	20
Installation	17	Retrait des plaques de cuisson	21
Généralités	17	Guide de Dépannage	22
		Options et Accessoires	22
		Garantie Limitée	23
		Autorisés Distributeurs de Pièces	Couverture Arrière

INFORMATIONS IMPORTANTES POUR LE PROPRIÉTAIRE

Notez le numéro de modèle, le numéro de série, la tension et la date d'achat de l'appareil dans les espaces ci-dessous (étiquette des caractéristiques techniques située sur le dessous de l'appareil). Veuillez avoir cette information à portée de la main si vous appelez Hatco pour assistance.

Modèle No. _____

Numéro de série _____

Voltage _____

Date d'achat _____

Enregistrez votre appareil!

Remplissez la garantie en ligne pour éviter les retards pour faire jouer la garantie. Accédez au site Web Hatco www.hatcocorp.com, sélectionnez le menu déroulant Parts & Service, puis cliquez sur Warranty Registration.

Horaires

ouvrables: 8h00 à 17h00
 Heure du Centre des États-Unis (CST)
 (Horaires d'été : juin à septembre—
 8h00 à 17h00 CST du lundi au jeudi
 8h00 à 14h30 CST le vendredi)

Téléphone : 800-558-0607; 414-671-6350

Courriel : partsandservice@hatcocorp.com

Télécopieur : 800-690-2966 (Pièces et Service après-vente)
 414-671-3976 (International)



Service d'assistance et de pièces de rechange disponible 7j/7, 24h/24 aux États-Unis et au Canada en composant le 800-558-0607.

Des renseignements supplémentaires sont disponibles sur notre site Web à www.hatcocorp.com.

INTRODUCTION

Les grills multi-contact de Hatco proposent des options de cuisson rapides, fiables et polyvalentes pour les cuisines commerciales ainsi que les endroits où la cuisson est effectuée sous les yeux des clients. La commande de température réglable avec les plaques de cuisson à rainures standard et les plaques de cuisson lisses accessoires permettent de griller avec le grill multi-contact une multitude d'aliments, tels que les paninis, les hamburgers, le poisson et les légumes. Le **easy clean System**® (système de nettoyage facile) du grill multi-contact accélère le retrait et facilite le nettoyage des plaques de cuisson. Les ensembles d'éléments chauffants supérieur et inférieur exclusifs assurent une répartition exceptionnelle de la chaleur sur l'ensemble de la surface des plaques de cuisson.

Les grills multi-contact de Hatco sont le fruit d'une recherche approfondie et d'essais sur le terrain. Les matériaux utilisés ont été sélectionnés pour une durabilité maximale, une apparence attractive et des performances optimales. Chaque appareil est soigneusement inspecté et testé avant expédition.

Ce manuel fournit des consignes d'installation, de sécurité et d'utilisation des grills multi-contact. Hatco vous recommande de lire l'ensemble des instructions d'installation, de sécurité et de fonctionnement contenues dans ce manuel avant d'installer et d'utiliser l'appareil.

Les consignes de sécurité qui apparaissent dans ce manuel sont identifiées par les mots indicateurs suivants :

⚠ AVERTISSEMENT

AVERTISSEMENT indique une situation dangereuse qui, si elle n'est pas évitée, peut provoquer la mort ou des blessures graves.

⚠ ATTENTION

ATTENTION indique une situation dangereuse qui, si elle n'est pas évitée, peut provoquer des blessures légères ou moyennes.

AVIS

AVIS est utilisé pour des questions sans rapport avec des blessures corporelles.

! Lisez l'information de sécurité importante suivante avant d'utiliser cet équipement pour éviter des dommages ou la mort sérieux et pour éviter d'endommager l'équipement ou la propriété.

! AVERTISSEMENT

DANGER DE DÉCHARGE ÉLECTRIQUE :

- Brancher l'appareil sur une prise de courant avec terre de tension, de format et de configuration des broches corrects. Si la fiche et la prise ne se correspondent pas, s'adresser à un électricien qualifié pour déterminer et installer une prise de courant de format et de tension corrects.
- Mettez hors tension en utilisant l'interrupteur, débranchez le cordon d'alimentation et laissez l'unité refroidir avant d'effectuer tout nettoyage, tout réglage ou tout entretien.
- L'appareil n'est pas à l'épreuve des intempéries. Placez l'unité à l'intérieur d'un local dont la température ambiante se situe entre 10°C (50 °F) et 40°C (104°F).
- NE PAS immerger l'appareil ni le saturer d'eau. L'appareil n'est pas étanche à l'eau. Ne pas le faire fonctionner s'il a été immergé ou saturé d'eau.
- Ne pas nettoyer à la vapeur ni utiliser trop d'eau sur l'appareil.
- Cet appareil n'est pas étanche aux jets. Ne pas utiliser de jet sous pression pour nettoyer l'appareil.
- Ne pas nettoyer l'appareil lorsqu'il est sous tension.
- Ne renversez pas de liquides dans l'appareil.
- Ne tirez pas l'unité par le cordon d'alimentation.
- Ne laissez pas le cordon pendre le long du comptoir.
- Interrompez l'utilisation de l'unité si le cordon d'alimentation est effiloché ou usé.
- N'essayez jamais de réparer ou de remplacer un cordon d'alimentation. Celui-ci devra être remplacé par Hatco, un agent de service agréé par Hatco ou une personne possédant des qualifications similaires.
- Cet appareil doit uniquement être réparé par un personnel qualifié. Toute réparation par un personnel non qualifié peut entraîner une électrocution et des brûlures.
- Pour les réparations, utiliser exclusivement des pièces de rechange Hatco d'origine. Utilisez des pièces détachées Hatco authentiques sous peine d'annuler toutes les garanties et d'exposer l'utilisateur à des tensions électriques dangereuses pouvant entraîner une électrocution ou des brûlures. Les pièces de rechange Hatco d'origine sont conçues pour fonctionner sans danger dans les environnements dans lesquels elles sont utilisées. Certaines pièces de rechange génériques ou de second marché ne présentent pas les caractéristiques leur permettant de fonctionner sans danger dans le matériel Hatco.

RISQUE D'EXPLOSION : Ne conservez pas ou n'utilisez pas d'essence ou d'autres vapeurs ou liquides inflammables à proximité de ces plaques ou de tout autre appareil.

Assurez-vous que tous les opérateurs ont été formés à l'utilisation sûre et correcte de l'appareil.

Cet appareil ne doit pas être utilisé par des enfants ou des personnes avec des capacités physiques, sensorielles ou mentales diminuées. Assurez-vous que les enfants sont bien surveillés et tenez-les à l'écart de l'appareil.

Ne laissez jamais l'appareil sans surveillance pendant son utilisation.

N'utilisez pas l'appareil pour des fins autres que celles qui ont été prévues.

! AVERTISSEMENT

DANGER D'INCENDIE :

- Placez l'appareil à au moins 200 mm (8") des murs et matières inflammables. Si ces distances de sécurité ne sont pas respectées, une décoloration ou une combustion peut se produire.
- N'obstruez pas les ouvertures de ventilation d'air sur le boîtier extérieur de l'appareil. Cela pourrait provoquer une combustion ou une défaillance de l'unité.

Cet appareil ne contient aucune pièce réparable par l'utilisateur. Si cet appareil doit être réparé, contacter un réparateur Hatco agréé ou le Service après-vente Hatco au 800-558-0607 ou 414-671-6350 ; télécopieur 800-690-2966; télécopieur internationale 414-671-3976.

! ATTENTION

DANGER DE BRÛLURE :

- Certaines surfaces extérieures de l'appareil deviennent chaudes. Toucher ces zones de l'appareil avec précaution.
- N'entrez pas en contact avec les plaques de cuisson durant le fonctionnement de l'appareil. Les deux plaques sont très chaudes.
- Laissez l'appareil refroidir avant d'effectuer tout nettoyage, réglage ou entretien.

Placez l'unité à une hauteur adaptée au comptoir, à un emplacement pratique à utiliser. L'emplacement doit être plan pour éviter que l'unité ou son contenu ne tombe accidentellement, et suffisamment solide pour supporter le poids de l'unité et de son contenu.

AVIS

Cet appareil est conçu pour être utilisé dans des environnements où la température ambiante se situe entre 10 et 40 °C (entre 50 et 104 °F).

Ne placez pas l'appareil dans une zone soumise à des températures excessives ou exposée à de la graisse provenant de grills, poêles, etc. Des températures excessives et la graisse risquent d'endommager l'appareil.

Il est recommandé d'utiliser l'appareil dans ou sur des comptoirs métalliques. Pour les autres surfaces, vérifiez auprès de leurs fabricants que le matériau peut supporter de façon durable des températures atteignant 93 °C (200 °F). Les dommages à toute partie du comptoir causés par la chaleur générée par l'équipement de Hatco ne sont pas couverts par la garantie de Hatco.

En ce qui concerne les surfaces en acier, utilisez des chiffons et produits nettoyants non abrasifs uniquement. Les chiffons et nettoyant abrasifs pourraient rayer la finition de l'unité, altérant son apparence et la rendant vulnérable à l'accumulation de saleté.

L'utilisation de produits chimiques agressifs tels que l'eau de javel, les produits nettoyants contenant de la javel, ou les produits de nettoyage pour les fours sont proscrits pour nettoyer l'appareil.

N'essayez pas de refroidir rapidement les plaques de cuisson chaudes, en les immergeant dans de l'eau par exemple. Cela endommagera les plaques.

Cet appareil est réservé à un usage professionnel uniquement — il ne convient PAS à un usage personnel.

Nettoyez l'unité quotidiennement pour éviter les dysfonctionnements et assurer un fonctionnement sain.

Tous les Modèles

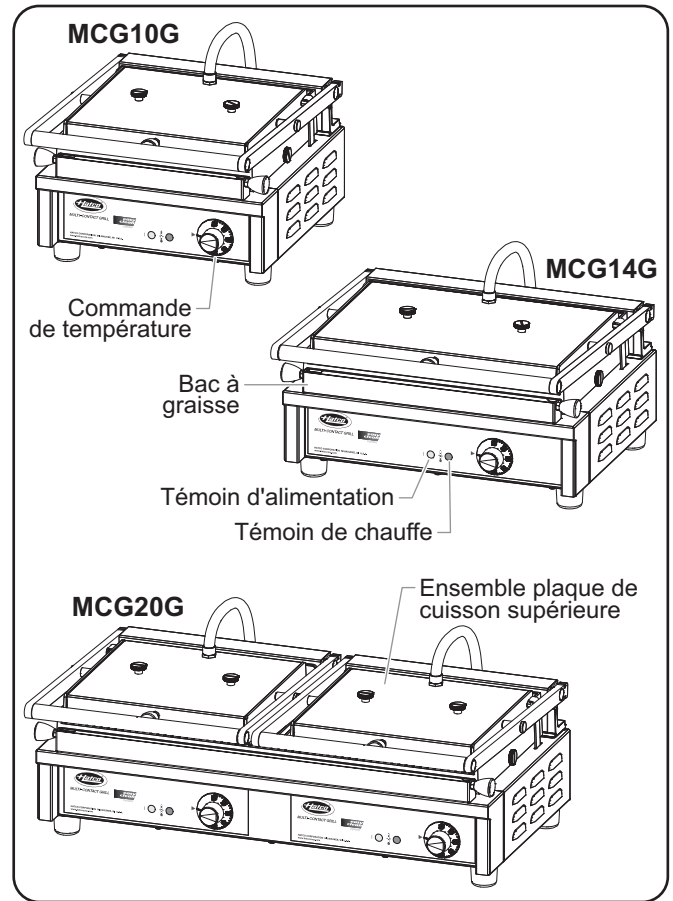
Les grills multi-contact de Hatco sont constitués d'un châssis en acier inoxydable facile à nettoyer. Les plaques de cuisson amovibles en fonte recouverte d'émail standard présentent une surface rainurée. Ces appareils comprennent une ou plusieurs commandes de température réglables avec une plage de 50 à 300 °C (120 à 570 °F), un témoin d'alimentation, un témoin de chauffe et un bac à graisse amovible. Toutes les unités sont équipées d'un cordon d'alimentation de 1 829 mm (6') et d'une prise installés en usine.

Les grills multi-contact sont équipés d'une plaque de cuisson supérieure autoréglable qui permet de griller des aliments de différentes épaisseurs et tailles. L'épaisseur maximale des aliments pour chaque modèle avec les plaques de cuisson parallèles est :

- Modèle MCG10G = 60 mm (2-3/8")
- Modèle MCG14G = 70 mm (2-3/4")
- Modèle MCG20G = 60 mm (2-3/8")

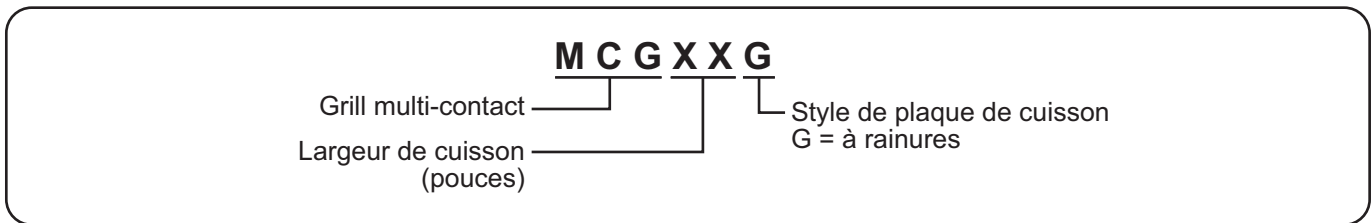
NOTA: Il est possible de griller des aliments plus épais, mais les plaques ne seront pas parallèles et la plaque supérieure ne reposera pas à plat sur la surface supérieure de l'aliment.

Des plaques de cuisson supérieure et inférieure à surface lisse sont disponibles en tant qu'accessoires. Pour plus de détails, veuillez vous reporter à la section OPTIONS ET ACCESSOIRES.



Grills multi-contact

DÉSIGNATION DU MODÈLE



CARACTÉRISTIQUES TECHNIQUES

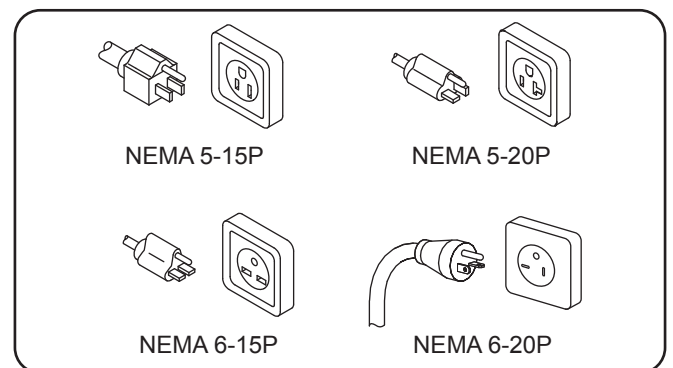
Configuration des fiches

Les appareils sont fournis par l'usine avec un cordon et une prise électriques. Les fiches fournies correspondent à leur application.

⚠ AVERTISSEMENT

DANGER DE DÉCHARGE ÉLECTRIQUE: Brancher l'appareil sur une prise de courant avec terre de tension, de format et de configuration des broches corrects. Si la fiche et la prise ne se correspondent pas, s'adresser à un électricien qualifié pour déterminer et installer une prise de courant de format et de tension corrects.

NOTA: Prise non fournie par Hatco.



Configuration des fiche

Tableau des valeurs nominales électriques

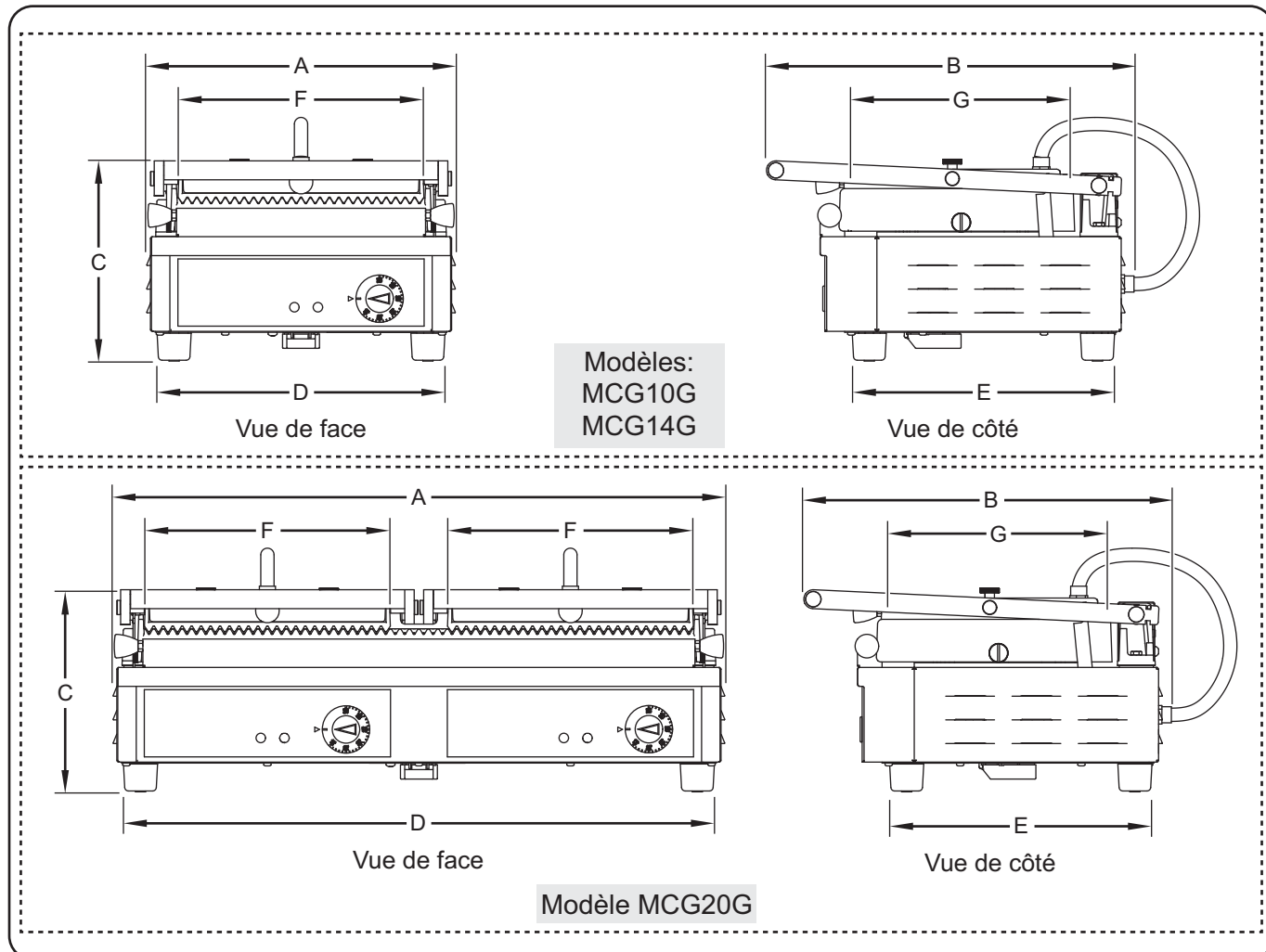
Modèle	Tension	Intensité	Amps	Configuration de Fiches	Poids de l'appareil
MCG10G	120*	1800	15	NEMA 5-15P	21 kg (47 lbs.)
MCG14G	120*	1800	15	NEMA 5-15P	28 kg (62 lbs.)
	208–240 †	1950–2600	9.4–10.8	NEMA 6-15P	28 kg (62 lbs.)
MCG20G	208–240 †	2820–3760	13.6–15.7	NEMA 6-20P	42 kg (93 lbs.)

* Les unités canadiennes de 120 V fonctionnent à 1 800 W et 15 A avec une configuration de prise NEMA 5-20P.

† L'appareil est conçu pour fonctionner à des tensions d'alimentation comprises entre 208 et 240 volts.

Dimensions

Modèle	Largeur (A)	Profondeur (B)	Hauteur (C)	Empattement Largeur (D)	Empattement Profondeur (E)	Largeur de cuisson (F)	Profondeur de cuisson (G)
MCG10G	326 mm (12-7/8")	388 mm (15-5/16")	214 mm (8-7/16")	305 mm (12")	276 mm (10-7/8")	260 mm (10-1/4")	229 mm (9")
MCG14G	416 mm (16-3/8")	388 mm (15-5/16")	214 mm (8-7/16")	394 mm (15-1/2")	276 mm (10-7/8")	350 mm (13-3/4")	229 mm (9")
MCG20G	646 mm (25-7/16")	388 mm (15-5/16")	214 mm (8-7/16")	624 mm (24-9/16")	276 mm (10-7/8")	260 mm (10-1/4")	229 mm (9")



Généralités

Les grills multi-contact de Hatco sont envoyés prémontés et prêts à être utilisés. Veillez à ne pas endommager l'appareil lors du déballage du carton d'expédition. La procédure d'installation suivante doit être suivie avant de brancher l'électricité et d'utiliser l'appareil.

⚠ AVERTISSEMENT

DANGER DE DÉCHARGE ÉLECTRIQUE: L'appareil n'est pas à l'épreuve des intempéries. Placez l'unité à l'intérieur d'un local dont la température ambiante se situe entre 10°C (50 °F) et 40°C (104°F).

DANGER D'INCENDIE:

- Placez l'appareil à au moins 200 mm (8") des murs et matières inflammables. Si ces distances de sécurité ne sont pas respectées, une décoloration ou une combustion peut se produire.
- N'obstruez pas les ouvertures de ventilation d'air sur le boîtier extérieur de l'appareil. Cela pourrait provoquer une combustion ou une défaillance de l'unité.

1. Vérifiez que le carton d'expédition ne présente pas de défauts visibles à l'œil nu dus au transport. En cas de dommages, prévenez immédiatement la société de transport. **ATTENTION! Arrêter! N'essayez pas d'utiliser l'appareil s'il est endommagé. Contactez Hatco pour obtenir une assistance.**
2. Retirez l'appareil et tous les composants/accessoires indépendants du carton d'expédition. Les composants indépendants suivants sont inclus dans chaque grill multi-contact :
 - Bac à graisse
 - Clé hexagonale (pour l'équilibrage de la plaque de cuisson supérieure)

NOTA: Pour éviter des retards dans l'obtention de la couverture de la garantie, complétez l'enregistrement en ligne de votre garantie. Lisez la section INFORMATIONS IMPORTANTES POUR LE PROPRIÉTAIRE pour plus de détails.

3. Retirez le ruban et l'emballage de protection de toutes les surfaces de l'appareil.
 - Assurez-vous de retirer l'ensemble des films protecteurs recouvrant les surfaces en acier inoxydable.
4. Vérifiez la présence ou non de dommages dus au transport, tels que des bosses sur le boîtier ou des boutons cassés. En cas de dommages, prévenez immédiatement la société de transport.

⚠ ATTENTION

Placez l'unité à une hauteur adaptée au comptoir, à un emplacement pratique à utiliser. L'emplacement doit être plan pour éviter que l'unité ou son contenu ne tombe accidentellement, et suffisamment solide pour supporter le poids de l'unité et de son contenu.

AVIS

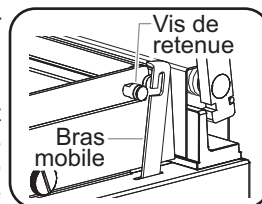
Ne placez pas l'appareil dans une zone soumise à des températures excessives ou exposée à de la graisse provenant de grills, poêles, etc. Des températures excessives et la graisse risquent d'endommager l'appareil.

Il est recommandé d'utiliser l'appareil dans ou sur des comptoirs métalliques. Pour les autres surfaces, vérifiez auprès de leurs fabricants que le matériau peut supporter de façon durable des températures atteignant 93 °C (200 °F). Les dommages à toute partie du comptoir causés par la chaleur générée par l'équipement de Hatco ne sont pas couverts par la garantie de Hatco.

5. Placez l'appareil à l'emplacement souhaité.

- Installez l'appareil dans une zone présentant une température d'air ambiant constante, avec un minimum de 10 °C (50 °F) et un maximum de 40 °C (104 °F). Évitez les zones pouvant être soumises à des mouvements d'air ou à des courants d'air actifs (c.-à-d. à proximité des ventilateurs/capots d'échappement et des conduites de climatisation).
- Assurez-vous que l'unité est placée à une hauteur appropriée dans une zone facilitant son utilisation.
- Veillez à ce que le comptoir soit plat et assez résistant pour supporter le poids de l'unité et des produits alimentaires.
- Veuillez vous assurer que tous les pieds en dessous de l'appareil sont fermement positionnés sur le comptoir.

6. Fixez le bras mobile sur l'ensemble plaque de cuisson supérieure.



- Soulevez le bras mobile et placez la fente du bras mobile par-dessus la vis de retenue sur la plaque de cuisson supérieure.

Généralités

Les grills multi-contact de Hatco sont conçus pour faciliter leur utilisation et offrir une certaine polyvalence. Utilisez les informations et les procédures suivantes pour faire fonctionner le grill.

⚠ AVERTISSEMENT

Lire tous les messages de sécurité de la section **Consignes de sécurité importantes avant d'utiliser ce matériel.**

Panneau de commande

Veillez trouver ci-dessous les descriptions des commandes utilisées pour faire fonctionner un grill multi-contact. Toutes les commandes se trouvent sur le panneau de commande à l'avant de l'unité.

Témoin d'alimentation

Le témoin d'alimentation s'allume lorsque l'appareil est sous tension.

Témoin de chauffe

Le témoin de chauffe s'allume lorsque les éléments chauffants sont sous tension et chauffent les plaques de cuisson.

Commande de température

La commande de température contrôle l'alimentation de l'unité ainsi que le réglage de la température. Tournez la commande de température dans le sens horaire pour allumer l'appareil et augmenter le réglage de température. Tournez la commande de température dans le sens anti-horaire pour diminuer le réglage de température et éteindre l'appareil.

Fonctionnement de l'appareil

Allumage

1. Branchez l'appareil sur une prise de courant reliée à la terre de tension, de taille et de configuration de fiche correctes. Consultez la section **CARACTÉRISTIQUES** pour obtenir plus de détails.
2. Assurez-vous que le bac à graisse est en position et que la plaque de cuisson supérieure est baissée en position fermée/de fonctionnement.

⚠ ATTENTION

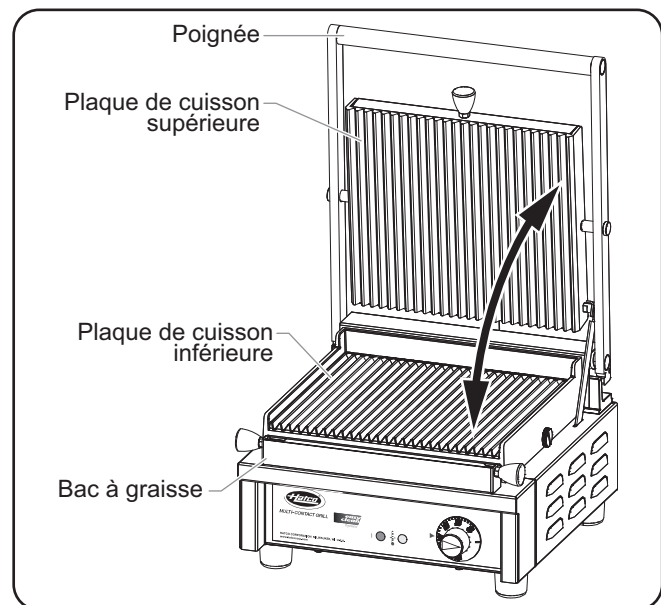
DANGER DE BRÛLURE :

- **Certaines surfaces extérieures de l'appareil deviennent chaudes. Toucher ces zones de l'appareil avec précaution.**
- **N'entrez pas en contact avec les plaques de cuisson durant le fonctionnement de l'appareil. Les deux plaques sont très chaudes.**

3. Tournez la commande de température dans le sens horaire pour atteindre le réglage de température souhaité.
 - Les témoins d'alimentation et de chauffe s'allument.
4. Laissez l'unité atteindre la température de fonctionnement, soit au bout de 20 minutes environ.
 - Le témoin de chauffe s'éteint lorsque l'unité atteint la température sélectionnée.

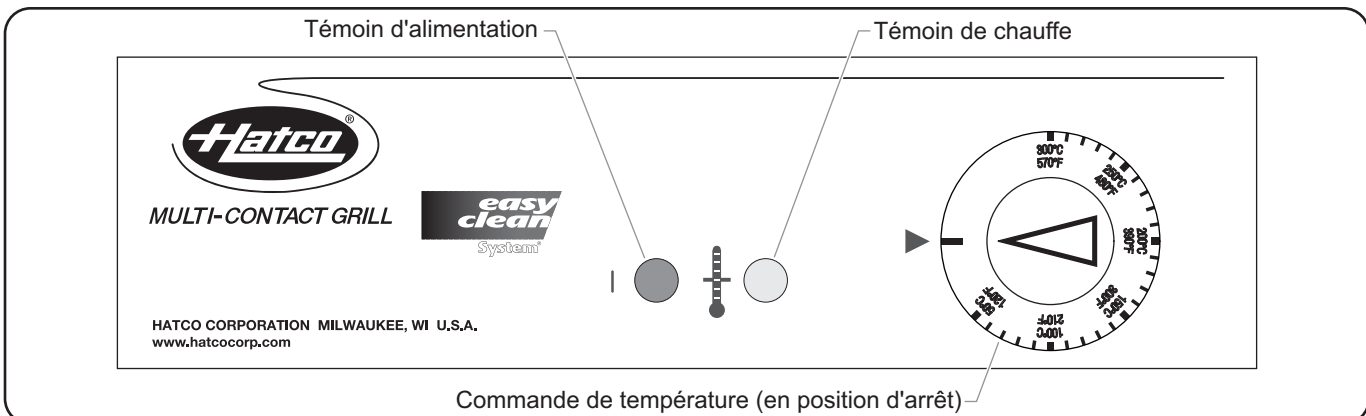
NOTA: Veuillez vous référer au tableau « Températures et délais de cuisson suggérés » de cette partie pour obtenir des exemples des produits alimentaires pouvant être grillés avec le grill multi-contact.

5. Soulevez la poignée de la plaque de cuisson supérieure pour ouvrir l'appareil.
6. Appliquez soigneusement une petite quantité d'huile de cuisson sur les plaques de cuisson supérieure et inférieure.
7. Placez l'aliment sur la plaque de cuisson inférieure et fermez la plaque de cuisson supérieure sur l'aliment.



Modèle MCG10G en position ouverte

NOTA: Si la plaque de cuisson supérieure ne reste pas en bas et ne repose pas à plat sur la partie supérieure de l'aliment, elle doit être équilibrée. Veuillez vous référer à la procédure « Équilibrage de la plaque de cuisson supérieure » de cette partie.



Commande de température (en position d'arrêt)

Panneau de commande (MCG10G illustré)

8. Lorsque la cuisson est terminée, soulevez la poignée de la plaque de cuisson supérieure pour ouvrir l'appareil et retirer l'aliment.

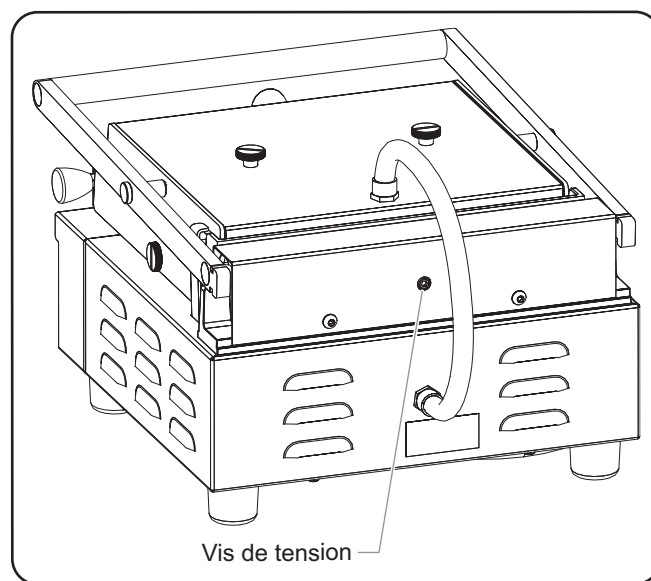
Arrêt

1. Tournez entièrement la commande de température dans le sens anti-horaire jusqu'à la position d'arrêt.
2. Effectuez la procédure de « Nettoyage quotidien » décrite dans la section Maintenance de ce manuel.

Équilibrage de la plaque de cuisson supérieure

Suivez la procédure suivante pour équilibrer la plaque de cuisson supérieure. Une plaque de cuisson supérieure correctement équilibrée reste en bas et repose à plat sur l'aliment durant l'utilisation de l'appareil. La plaque de cuisson supérieure s'équilibre en réglant la tension sur l'ensemble charnière de la plaque de cuisson supérieure.

1. Éteignez l'appareil, débranchez le cordon d'alimentation et laissez l'appareil refroidir.
2. Localisez la vis de tension à l'arrière de l'appareil.
3. À l'aide de la clé hexagonale fournie avec l'appareil, réglez la tension sur l'ensemble charnière de la plaque de cuisson supérieure.
 - Tournez la vis de tension dans le sens horaire pour augmenter la tension sur l'ensemble charnière.
 - Tournez la vis de tension dans le sens anti-horaire pour diminuer la tension sur l'ensemble charnière.
4. Testez le fonctionnement de l'ensemble plaque de cuisson supérieure et ajustez de nouveau, si nécessaire.



Emplacement de la vis de tension

Températures et délais de cuisson suggérés		
Aliment	Température de cuisson	Délai de cuisson
Légumes	100°–150°C (210°–300°F)	4 minutes
Œufs	150°–200°C (300°–390°F)	2 minutes
Poisson	150°–200°C (300°–390°F)	1,5 minute
Crevette	200°–250°C (390°–480°F)	3 minutes
Hamburgers	200°–250°C (390°–480°F)	2,5 minutes
Steak	200°–250°C (390°–480°F)	2 minutes
Paninis	250°–300°C (480°–570°F)	3 minutes

NOTA: Les températures et délais de cuisson peuvent varier en fonction de l'épaisseur de l'aliment ainsi que du type de cuisson souhaité.

Généralités

Les grills multi-contact d'Hatco sont conçus pour une durabilité et des performances maximales avec un minimum d'entretien.

AVERTISSEMENT

DANGER DE DÉCHARGE ÉLECTRIQUE :

- Mettez hors tension en utilisant l'interrupteur, débranchez le cordon d'alimentation et laissez l'unité refroidir avant d'effectuer tout nettoyage, tout réglage ou tout entretien.
- **NE PAS immerger l'appareil ni le saturer d'eau.** L'appareil n'est pas étanche à l'eau. Ne pas le faire fonctionner s'il a été immergé ou saturé d'eau.
- Ne pas nettoyer à la vapeur ni utiliser trop d'eau sur l'appareil.
- Cet appareil n'est pas étanche aux jets. Ne pas utiliser de jet sous pression pour nettoyer l'appareil.
- Ne pas nettoyer l'appareil lorsqu'il est sous tension.
- Ne renversez pas de liquides dans l'appareil.
- Cet appareil doit uniquement être réparé par un personnel qualifié. Toute réparation par un personnel non qualifié peut entraîner une électrocution et des brûlures.
- Pour les réparations, utiliser exclusivement des pièces de rechange Hatco d'origine. Utilisez des pièces détachées Hatco authentiques sous peine d'annuler toutes les garanties et d'exposer l'utilisateur à des tensions électriques dangereuses pouvant entraîner une électrocution ou des brûlures. Les pièces de rechange Hatco d'origine sont conçues pour fonctionner sans danger dans les environnements dans lesquels elles sont utilisées. Certaines pièces de rechange génériques ou de second marché ne présentent pas les caractéristiques leur permettant de fonctionner sans danger dans la matériel Hatco.

Cet appareil ne contient aucune pièce réparable par l'utilisateur. Si cet appareil doit être réparé, contacter un réparateur Hatco agréé ou le Service après-vente Hatco au 800-558-0607 ou 414-671-6350 ; télécopieur 800-690-2966; télécopieur internationale 414-671-3976.

ATTENTION

DANGER DE BRÛLURE: Laissez l'appareil refroidir avant d'effectuer tout nettoyage, réglage ou entretien.

Nettoyage quotidien

Afin de préserver la finition de l'unité et de conserver son efficacité, il est recommandé de nettoyer l'unité quotidiennement.

AVERTISSEMENT

Plonger l'appareil dans l'eau, ou le saturer d'eau, endommage l'équipement et entraîne l'annulation de sa garantie.


AVIS

En ce qui concerne les surfaces en acier, utilisez des chiffons et produits nettoyants non abrasifs uniquement. Les chiffons et nettoyant abrasifs pourraient rayer la finition de l'unité, altérant son apparence et la rendant vulnérable à l'accumulation de saleté.

L'utilisation de produits chimiques agressifs tels que l'eau de javel, les produits nettoyants contenant de la javel, ou les produits de nettoyage pour les fours sont proscrits pour nettoyer l'appareil.

N'essayez pas de refroidir rapidement les plaques de cuisson chaudes, en les immergeant dans de l'eau par exemple. Cela endommagera les plaques.

Nettoyez l'unité quotidiennement pour éviter les dysfonctionnements et assurer un fonctionnement sain.

1. Tournez la commande de température entièrement dans le sens anti-horaire jusqu'à la position d'arrêt, débranchez le cordon d'alimentation et laissez l'appareil refroidir.
2. Brossez ou essuyez tout reste d'aliment, huile, etc. sur les deux plaques de cuisson en les évacuant dans le bac à graisse.
3. Retirez, videz et nettoyez le bac à graisse.
 - a. Lavez le bac à graisse avec de l'eau chaude et un détergent doux. Rincez ensuite à l'eau.
 - b. Laissez le bac à graisse sécher à l'air ou séchez-le avec un chiffon doux.
4. Nettoyez les plaques de cuisson.
 - a. Suivez la procédure « Retrait des plaques de cuisson » de cette partie. 
 - b. Nettoyez chaque plaque de cuisson à l'aide d'une brosse métallique/d'un tampon à récurer en acier, de savon pour la vaisselle et d'eau. Rincez complètement avec de l'eau propre.

NOTA: Les plaques de cuisson en fonte peuvent être nettoyées dans un lave-vaisselle.

- c. Nettoyez toutes les goupilles d'assemblage, les goupilles fendues et les vis à serrage à main avec un chiffon humide non abrasif. Essuyez-les avec un chiffon sec non abrasif.
5. Essuyez toutes les surfaces extérieures de l'appareil à l'aide d'un chiffon non abrasif humidifié avec de l'eau chaude et du savon doux. Les taches persistantes peuvent être retirées à l'aide d'un bon produit de nettoyage pour acier inoxydable. Les recoins difficiles d'accès devront être nettoyés à l'aide d'une petite brosse et de savon doux.
6. Rincez entièrement l'appareil à l'aide d'un chiffon non abrasif humidifié uniquement avec de l'eau chaude.
7. Séchez l'appareil à l'aide d'un chiffon sec, propre et non abrasif.
8. Remontez les plaques de cuisson. Pour remonter, effectuez l'inverse de la procédure « Retrait des plaques de cuisson » de cette partie.
9. Remontez le bac à graisse.

Retrait des plaques de cuisson

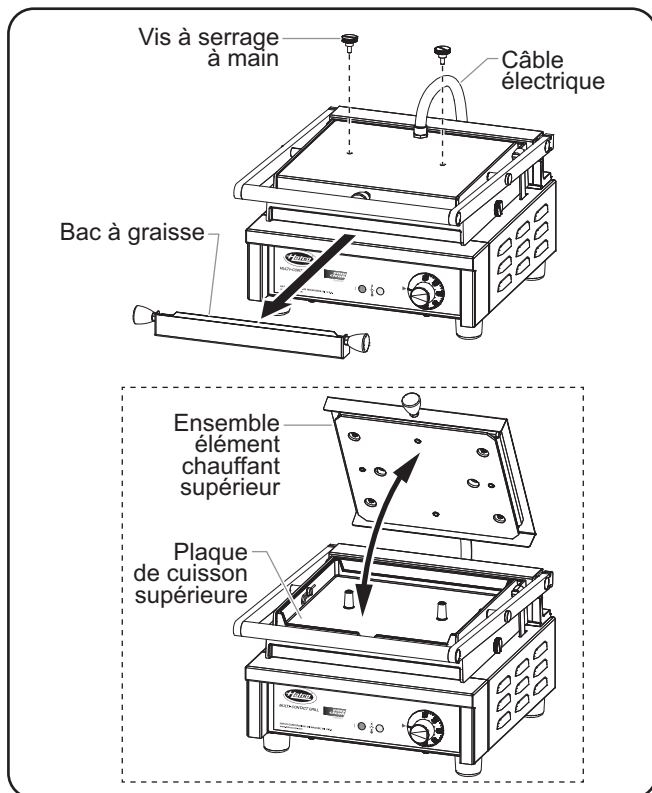
Suivez la procédure suivante pour retirer les plaques de cuisson supérieure et inférieure afin de les nettoyer.



ATTENTION

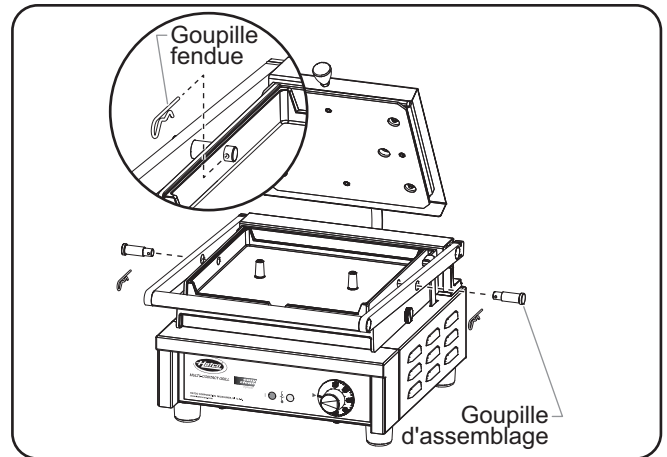
DANGER DE BRÛLURE: Laissez l'appareil refroidir avant d'effectuer tout nettoyage, réglage ou entretien.

1. Tournez la commande de température entièrement dans le sens anti-horaire jusqu'à la position d'arrêt, débranchez le cordon d'alimentation et laissez l'appareil refroidir.
2. Retirez le bac à graisse, s'il est présent.
3. Retirez les deux vis à serrage à main sur le capot de l'ensemble élément chauffant supérieur.
4. Soulevez l'ensemble élément chauffant supérieur pour le sortir de la plaque de cuisson supérieure et mettez-le de côté. Le câble électrique reliera toujours l'ensemble élément chauffant supérieur et la base de l'appareil.



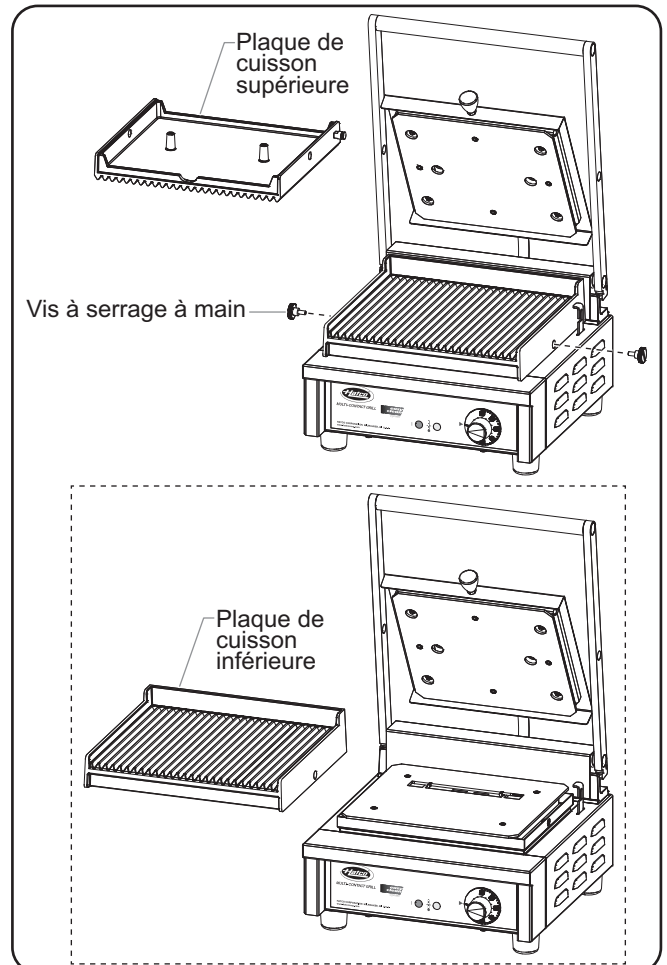
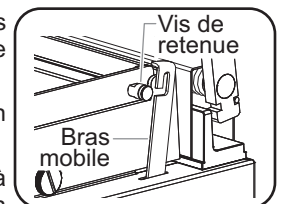
Retrait des vis à serrage à main et de l'ensemble élément chauffant

5. Retirez les goupilles fendues des goupilles d'assemblage sur chaque côté de la plaque de cuisson supérieure. Mémo-risez l'orientation des goupilles fendues en vue du remontage.
6. Retirez les deux goupilles d'assemblage.



Retrait des goupilles fendues et d'assemblage

7. Retirez le bras mobile de la vis de retenue sur la plaque de cuisson supérieure.
8. Retirez la plaque de cuisson supérieure.
9. Retirez les deux vis à serrage à main de la plaque de cuisson inférieure (une de chaque côté de la plaque).
10. Retirez la plaque de cuisson inférieure.



Retrait des plaques de cuisson supérieure et inférieure

⚠ AVERTISSEMENT

La réparation de cet appareil doit être confiée exclusivement à du personnel qualifié. Les réparations par des personnes non qualifiées peuvent provoquer des décharges électriques et des brûlures.

⚠ AVERTISSEMENT

DANGER DE DÉCHARGE ÉLECTRIQUE: Mettez hors tension en utilisant l'interrupteur, débranchez le cordon d'alimentation et laissez l'unité refroidir avant d'effectuer tout nettoyage, tout réglage ou tout entretien.

Symptômes	Causes Probables	Action Correctrice
L'appareil est allumé mais ne produit pas de chaleur.	L'élément chauffant est défectueux.	Contactez votre agent de maintenance agréé ou Hatco pour toute demande d'assistance.
	La commande de température est défectueuse.	Contactez votre agent de maintenance agréé ou Hatco pour toute demande d'assistance.
L'appareil n'est pas suffisamment chaud.	La commande de température est réglée à un niveau trop faible.	Tournez la commande de température dans le sens horaire pour augmenter le réglage de température.
	L'élément chauffant est défectueux.	Contactez votre agent de maintenance agréé ou Hatco pour toute demande d'assistance.
L'appareil ne fonctionne pas du tout.	L'appareil n'est pas allumé.	Consultez « Fonctionnement de l'appareil » de la partie MODE D'EMPLOI de ce manuel.
	L'appareil n'est pas branché.	Branchez l'appareil sur une source d'alimentation adaptée.
	Le disjoncteur s'est déclenché.	Redémarrez le coupe-circuit. Si le disjoncteur de circuit continue de se déclencher, contactez un agent d'entretien agréé ou Hatco pour obtenir une assistance.
	La commande de température est défectueuse.	Contactez votre agent de maintenance agréé ou Hatco pour toute demande d'assistance.

Vous avez des questions en ce qui concerne les pannes ?

Si le problème persiste, veuillez contacter l'agence d'entretien agréée Hatco la plus proche ou Hatco pour obtenir une assistance. Pour trouver l'agence d'entretien la plus proche, rendez-vous sur le site Internet de Hatco (www.hatcocorp.com) et cliquez sur Trouver un agent d'entretien, ou contactez l'équipe d'entretien et de pièces détachées de Hatco :

Numéro de

téléphone: 800-558-0607 ou 414-671-6350

Courriel: partsandservice@hatcocorp.com

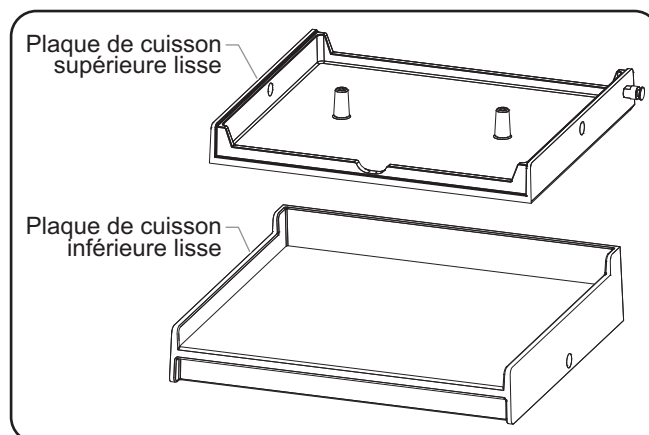
Télécopie: 800-690-2966 ou 414-671-3976

OPTIONS ET ACCESSOIRES

Plaques de cuisson lisses

Des plaques de cuisson supérieure et inférieure lisses sont disponibles en tant qu'accessoires pour tous les grills multi-contact.

- SB-S**Plaque de cuisson inférieure lisse, MCG10G
- ST-S**Plaque de cuisson supérieure lisse, MCG10G
- SB-M**Plaque de cuisson inférieure lisse, MCG14G
- ST-M**Plaque de cuisson supérieure lisse, MCG14G
- SB-L**Plaque de cuisson inférieure lisse, MCG20G
- ST-LL**Plaque de cuisson supérieure lisse, gauche, MCG20G
- ST-LR**Plaque de cuisson supérieure lisse, droite, MCG20G



Plaques de cuisson supérieure et inférieure lisses, Model MCG10G

1. GARANTIE DU PRODUIT

Hatco garantit que les produits qu'il fabrique (les « Produits ») sont exempts de défauts de matériel et de fabrication, dans des conditions normales d'utilisation et de maintenance, pour une période d'un (1) an à partir de la date d'achat à condition que l'appareil soit installé et entretenu conformément aux instructions écrites de Hatco ou 18 mois après la date de l'expédition par Hatco. L'acheteur doit prouver la date d'achat du Produit par l'enregistrement du produit auprès de Hatco ou par d'autres moyens satisfaisants pour Hatco, à sa seule discrétion.

Hatco garantit que les composants du Produit suivants sont exempts de défauts de matériel et de fabrication à partir de la date d'achat (sous réserve des conditions précédentes) pour la ou les périodes de temps et en fonction des conditions listées ci-dessous :

a) Garantie d'un (1) an pour les pièces et la main-d'œuvre PLUS un an (1) supplémentaire pour les pièces uniquement :

Éléments du grille-pain à convoyeur (enveloppe métallique)
 Éléments des tiroirs chauffants (enveloppe métallique)
 Tiroirs, roues et glissières des tiroirs chauffants
 Éléments des rampes chauffantes (enveloppe métallique)
 Éléments des vitrines chauffantes
 (enveloppe métallique, air chauffant)
 Éléments des armoires de stockage
 (enveloppe métallique, air chauffant)
 Éléments des compartiments chauffants —
 série HW et HWB (enveloppe métallique)

b) Garantie d'un (1) an pour les pièces et la main-d'œuvre PLUS quatre (4) ans pour les pièces uniquement :

Cuves 3CS et FR

c) Garantie d'un (1) an pour les pièces et la main-d'œuvre PLUS neuf (9) ans pour les pièces uniquement :

Cuves des appareils de chauffage d'appoint électriques
 Cuves des appareils de chauffage d'appoint à gaz

d) Garantie de quatre-vingt-dix (90) jours pour les pièces uniquement :

Pièces de rechange

LES GARANTIES PRÉCÉDENTES SONT EXCLUSIVES ET REMPLACENT TOUTES AUTRES GARANTIES, EXPRESSES OU IMPLICITES, COMPRENANT, MAIS NE SE LIMITANT PAS À, TOUTES GARANTIES IMPLICITES DE QUALITÉ MARCHANDE OU DE FINALITÉ PARTICULIÈRE OU TOUTS BREVETS OU TOUTES AUTRES ATTEINTES AUX DROITS DE LA PROPRIÉTÉ INTELLECTUELLE. Sans restreindre la portée générale des énoncés précédents, CES GARANTIES NE COUVRENT PAS : Ampoules d'éclairage à incandescence enduites, lumières fluorescentes, ampoules de lampes chauffantes, ampoules d'éclairage à halogène enduites, ampoules de lampes chauffantes au xénon, tubes d'éclairage DEL, composants en verre et fusibles ; défaut de produit dans la cuve d'un appareil de chauffage d'appoint, dans un échangeur de chaleur à tubes à ailettes ou tout autre équipement de chauffage d'eau causé par la calcification, l'accumulation de sédiments, la réaction d'un produit chimique ou le gel ; ou une mauvaise utilisation, une manipulation ou une mauvaise application, une installation inappropriée du Produit ou l'utilisation d'une tension inappropriée.

2. LIMITES DES RECOURS ET DES DOMMAGES

La responsabilité de Hatco et la seule voie de recours de l'Acheteur prévues par les présentes seront limitées exclusivement, au gré de Hatco, à la réparation ou au remplacement à l'aide de pièces ou de Produits nouveaux ou remis à neuf par Hatco ou un centre de réparation agréé par Hatco (sauf si l'Acheteur se situe hors des États-Unis, du Canada, du Royaume-Uni ou de l'Australie, auquel cas la responsabilité de Hatco et la seule voie de recours de l'Acheteur seront limitées exclusivement au remplacement des pièces concernées par la garantie) à l'égard de toute revendication effectuée dans les délais de garantie applicables mentionnés ci-dessus. Hatco se réserve le droit d'accepter ou de rejeter toute réclamation en partie ou dans son intégralité. Dans le cadre de cette Garantie limitée, « remis à neuf » signifie une pièce ou un Produit dont les caractéristiques techniques d'origine ont été restaurées par Hatco ou un centre de réparation agréé par Hatco. Hatco n'acceptera aucun retour de Produits sans qu'il n'ait auparavant donné son accord écrit, et tous ces retours approuvés doivent être effectués aux seuls frais de l'Acheteur. HATCO NE SERA PAS TENU RESPONSABLE, DANS AUCUNE CIRCONSTANCE, DES DOMMAGES CONSÉCUTIFS OU INDIRECTS, COMPRENANT, MAIS NE SE LIMITANT PAS À, LES COÛTS DE MAIN-D'ŒUVRE OU PERTES DE PROFITS DUS À UNE UTILISATION OU À UNE IMPOSSIBILITÉ D'UTILISER LES PRODUITS OU DUS AU FAIT QUE LES PRODUITS ONT ÉTÉ INTÉGRÉS DANS OU QU'ILS SONT DEVENUS UN COMPOSANT DE TOUT AUTRE PRODUIT OU BIEN.

AUTHORIZED PARTS DISTRIBUTORS • AUTORISÉS DISTRIBUTEURS DE PIÈCES

ALABAMA

Jones McLeod Appl. Svc.
Birmingham 205-251-0159

ARIZONA

Service Solutions Group
Phoenix 602-234-2443

Byassee Equipment Co.
Phoenix 602-252-0402

CALIFORNIA

Industrial Electric
Commercial Parts & Service, Inc.
Huntington Beach 714-379-7100

Chapman Appl. Service
San Diego 619-298-7106

P & D Appliance
Commercial Parts & Service, Inc.
S. San Francisco 650-635-1900

COLORADO

Hawkins Commercial Appliance
Englewood 303-781-5548

FLORIDA

Whaley Foodservice Repair
Jacksonville 904-725-7800

3Wire Nass Service Co., Inc.
Orlando 407-425-2681

B.G.S.I.
Pompano Beach 954-971-0456

Comm. Appliance Service
Tampa 813-663-0313

GEORGIA

TWC Services
Mableton 770-438-9797

Heritage Service Group
Norcross 866-388-9837

Southeastern Rest. Svc.
Norcross 770-446-6177

HAWAII

Burney's Comm. Service, Inc.
Honolulu 808-848-1466

Food Equip Parts & Service
Honolulu 808-847-4871

ILLINOIS

Parts Town
Lombard 708-865-7278

Eichenauer Elec. Service
Decatur 217-429-4229

Midwest Elec. Appl. Service
Elmhurst 630-279-8000

Cone's Repair Service
Moline 309-797-5323

INDIANA

GCS Service
Indianapolis 317-545-9655

IOWA

Electric Motor Service Co.
Davenport 319-323-1823

Goodwin Tucker Group
Des Moines 515-262-9308

KENTUCKY

Service Solutions Group
Lexington 859-254-8854

Service Solutions Group
Louisville 502-451-5411

LOUISIANA

Chandlers Parts & Service
Baton Rouge 225-272-6620

MARYLAND

Electric Motor Service
Baltimore 410-467-8080

GCS Service
Silver Spring 301-585-7550

MASSACHUSETTS

Ace Service Co., Inc.
Needham 781-449-4220

MICHIGAN

Bildons Appliance Service
Detroit 248-478-3320

Commercial Kitchen Service
Bay City 517-893-4561

Midwest Food Equip. Service
Grandville 616-261-2000

MINNESOTA

GCS Service
Plymouth 800-345-4221

MISSOURI

General Parts
Kansas City 816-421-5400

Commercial Kitchen Services
St. Louis 314-890-0700

Kaemmerlen Parts & Service
St. Louis 314-535-2222

NEBRASKA

Anderson Electric
Omaha 402-341-1414

NEVADA

Burney's Commercial
Las Vegas 702-736-0006

Hi. Tech Commercial Service
N. Las Vegas 702-649-4616

NEW JERSEY

Jay Hill Repair
Fairfield 973-575-9145

Service Plus
Flanders 973-691-6300

NEW YORK

Acme American Repairs, Inc.
Brooklyn 718-456-6544

Alpro Service Co.
Brooklyn 718-386-2515

Appliance Installation
Buffalo 716-884-7425

Duffy's Equipment Services, Inc.
Buffalo 800-836-1014

3Wire Northern
Plattsburgh 800-634-5005

Duffy's Equipment Services, Inc.
Sauquoit 800-836-1014

J.B. Brady, Inc.
Syracuse 315-422-9271

NORTH CAROLINA

Authorized Appliance
Charlotte 704-377-4501

OHIO

Akron/Canton Comm. Svc. Inc.
Akron 330-753-6635

Service Solutions Group
Cincinnati 513-772-6600

Commercial Parts and Service
Columbus 614-221-0057

Electrical Appl. Repair Service
Brooklyn Heights 216-459-8700

E. A. Wichman Co.
Toledo 419-385-9121

OKLAHOMA

Hagar Rest. Service, Inc.
Oklahoma City 405-235-2184

Krueger, Inc.
Oklahoma City 405-528-8883

OREGON

Ron's Service, Inc.
Portland 503-624-0890

PENNSYLVANIA

Elmer Schultz Services
Philadelphia 215-627-5401

FAST Comm. Appl. Service
Philadelphia 215-288-4800

Appliance Installation & Service
Pittsburgh 412-809-0244

K & D Service Co.
Harrisburg 717-236-9039

Electric Repair Co.
Reading 610-376-5444

RHODE ISLAND

Marshall Electric Co.
Providence 401-331-1163

SOUTH CAROLINA

Whaley Foodservice Repair
W. Columbia 803-791-4420

TENNESSEE

Camp Electric
Memphis 901-527-7543

TEXAS

GCS Service
Fort Worth 800-433-1804

Armstrong Repair Service
Houston 713-666-7100

Cooking Equipment Specialist
Mesquite 888-866-9276

Refrigerated Specialist, Inc.
Mesquite 888-866-9276

Commercial Kitchen Repair Co.
San Antonio 210-735-2811

UTAH

La Monica's Rest. Equip. Service
Murray 801-263-3221

VIRGINIA

Daubers
Norfolk 757-855-4097

Daubers
Springfield 703-866-3600

WASHINGTON

3Wire Restaurant Appliance
Seattle 800-207-3146

WISCONSIN

A.S.C., Inc.
Madison 608-246-3160

A.S.C., Inc.
Milwaukee 414-543-6460

CANADA

ALBERTA

Key Food Equipment Service
Edmonton 780-438-1690

BRITISH COLUMBIA

Key Food Equipment Service
Vancouver 604-433-4484

Key Food Equipment Service
Victoria 250-920-4888

MANITOBA

Air Rite, Inc.
Winnipeg 204-895-2300

NEW BRUNSWICK

EMR Services, Ltd.
Moncton 506-855-4228

ONTARIO

R.G. Henderson Ltd.
Toronto 416-422-5580

Choquette - CKS, Inc.
Ottawa 613-739-8458

QUÉBEC

Choquette - CKS, Inc.
Montreal 514-722-2000

Choquette - CKS, Inc.
Québec City 418-681-3944

UNITED KINGDOM

Marren Group
Northants +44(0)1933 665313

HATCO CORPORATION
P.O. Box 340500

Milwaukee, WI 53234-0500 U.S.A.
800-558-0607 414-671-6350

Parts and Service Fax 800-690-2966
International Fax 414-671-3976
partsandservice@hatcocorp.com
www.hatcocorp.com

Register your unit online!

See IMPORTANT OWNER INFORMATION
section for details.

S'inscrire en ligne!

Lisez la section INFORMATIONS IMPORTANTES
POUR LE PROPRIETAIRE *pour plus de informations.*