



a Standex company

ITEM: _____ PROJECT NAME: _____ DATE: _____

HIGH VOLUME DUAL ZONE CASE

MODEL **SGR5042DZ**
SGR5048DZ
SGR5942DZ
SGR5948DZ
SGR7742DZ
SGR7748DZ



Display more product and serve more customers with presentation and value in mind. Cases are available in lengths of 50", 59", and 77". Designed for continuous case line-ups.

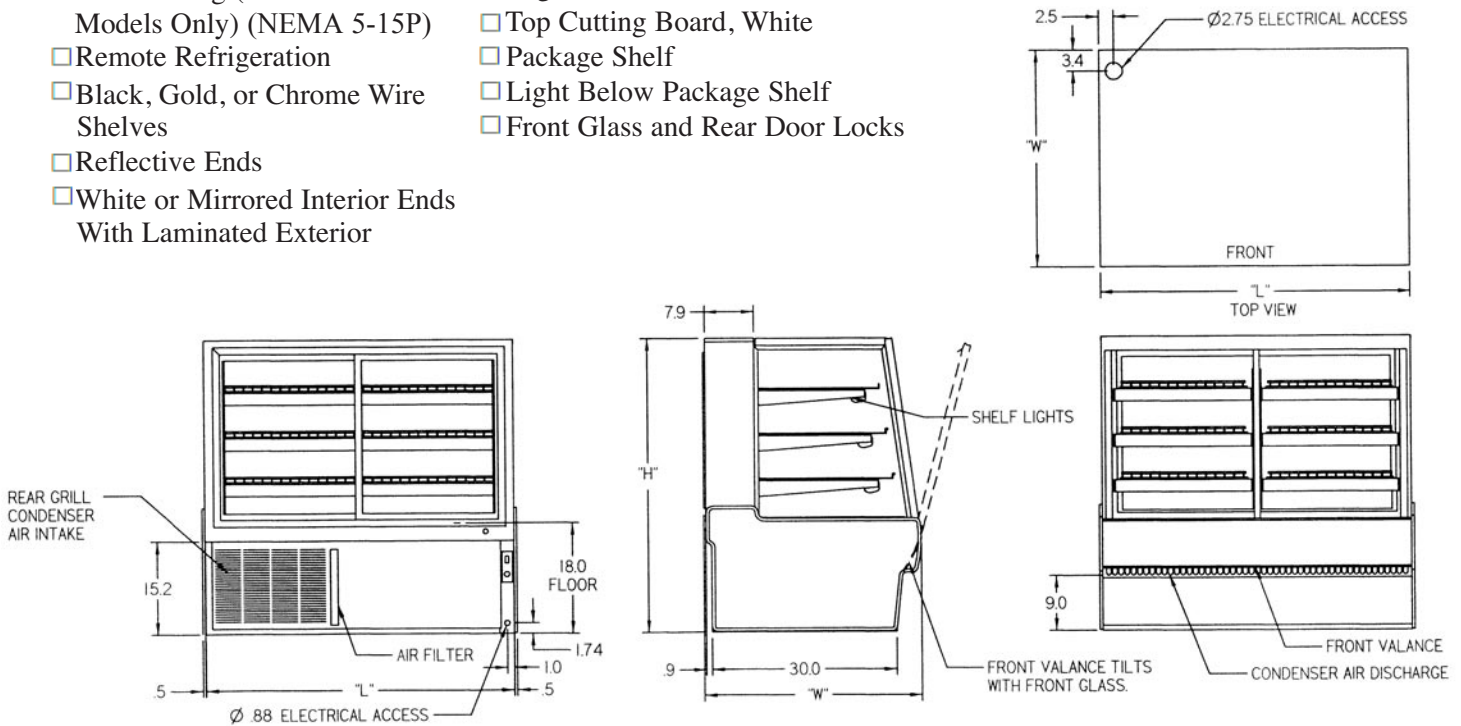
STANDARD FEATURES

- Single base design.
 - Left side refrigerated, right side non-refrigerated from customer view.
 - Adjustable white wire shelves. Shelves are adjustable up and down and can also be tilted in three positions. 48" models have three tiers of shelves; 42" models have two tiers of shelves.
 - Shielded top light and shelf lights.
 - Tempered thermopane tilt-out front glass for easy cleaning. Front glass is sloped for high visual product display.
 - Tempered thermopane glass top, ends, and doors.
 - Removable sliding rear doors, shelf lights, shelf supports, and shelves.
 - Steel base construction with a choice of six standard laminates on base. Other finishes optional.
 - Black trim.
 - White scratch-resistant display deck.
 - UL Safety and UL Sanitation Listed.
- Added Features for Refrigerated Side**
- Condenser air filter on self-contained units.
 - Thermometer.
 - Condensate evaporator provided for a totally self-contained system.
 - Oversized coil and low-velocity fan system maintains high humidity and product freshness.
 - Easy clean, rustproof insulated evaporator coil compartment.
 - Adjustable temperature control.
 - Average case temperature of 38° to 40° is maintained.
 - Rear access of the refrigeration system for quick and easy service.
 - 134A Refrigerant.

HIGH VOLUME DUAL ZONE CASE

OPTIONAL ACCESSORIES:

- Special Base Finish
- Glass Shelves
- Rear Wrapping Board
- Cord & Plug (Self-Contained Models Only) (NEMA 5-15P)
- Remote Refrigeration
- Black, Gold, or Chrome Wire Shelves
- Reflective Ends
- White or Mirrored Interior Ends With Laminated Exterior
- Reflective Rear Doors
- Casters/Cord & Plug Included (Self-Contained Models Only)
- Legs
- Top Cutting Board, White
- Package Shelf
- Light Below Package Shelf
- Front Glass and Rear Door Locks



SPECIFICATIONS:

Model	Dimensions			Shipping Weight (lbs)	Self-Contained 120/60/1	Remote 120/60/1
	L	W	H			
SGR5042DZ	50.3"	35.31"	42"	688	1/3 HP - 8.0 AMPS	2.5 AMPS
SGR5048DZ	50.3"	35.31"	48"	730	1/3 HP - 8.0 AMPS	2.5 AMPS
SGR5942DZ	59.13"	35.31"	42"	735	1/3 HP - 9.0 AMPS	3.0 AMPS
SGR5948DZ	59.13"	35.31"	48"	765	1/3 HP - 9.0 AMPS	3.0 AMPS
SGR7742DZ	77.13"	35.31"	42"	890	1/3 HP - 9.0 AMPS	3.0 AMPS
SGR7748DZ	77.13"	35.31"	48"	930	1/3 HP - 9.0 AMPS	3.0 AMPS

- If a GFCI circuit is required, a GFCI Breaker Must be used instead of GFCI receptacle.
- Refrigerated cases are designed to operate in a maximum environment of 75° ambient and 55% relative humidity.
- Due to continuing engineering improvements, specifications are subject to change without notice.



Look to Federal for Innovative Merchandising



The Signature of Quality

FEDERAL INDUSTRIES

A Standex Company

215 FEDERAL AVENUE, BELLEVILLE, WISCONSIN 53508-9201

PHONE: 800-356-4206

EMAIL: geninfo@federalind.com

FAX: 608-424-3234

WEBSITE: www.federalind.com

