



**a Standex company**

ITEM: \_\_\_\_\_ PROJECT NAME: \_\_\_\_\_ DATE: \_\_\_\_\_

## **HIGH VOLUME REFRIGERATED BAKERY CASE MODEL**

**SGR3142 SGR3148  
SGR3642 SGR3648  
SGR5042 SGR5048  
SGR5942 SGR5948  
SGR7742 SGR7748**



*Display more product and serve more customers with presentation and value in mind. Cases are available in lengths of 31", 36", 50", 59", and 77". Designed for continuous case line-ups without middle end glass.*

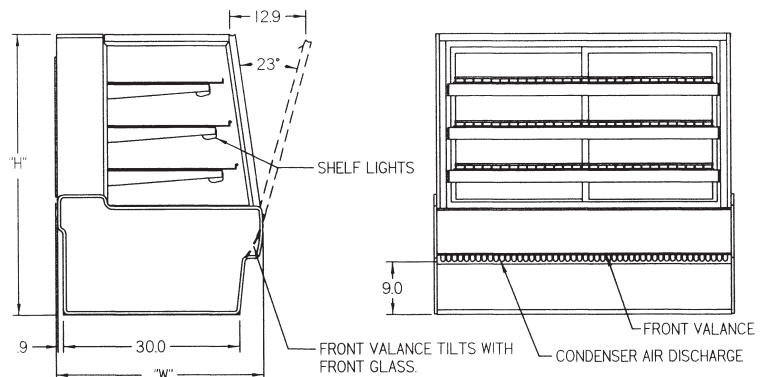
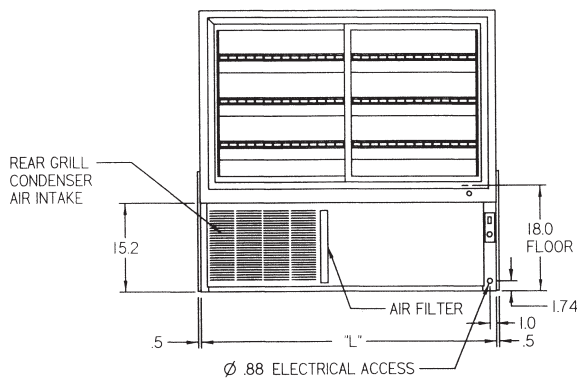
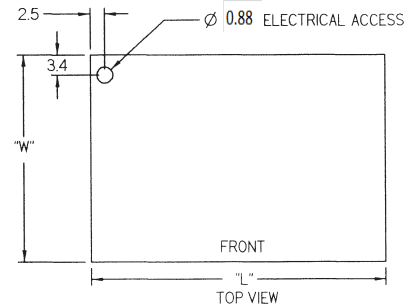
### **STANDARD FEATURES**

- Adjustable white wire shelves. Shelves are adjustable up and down and can also be tilted in three positions. 48" models have three tiers of shelves; 42" models have two tiers of shelves.
- Tempered thermopane tilt-out front glass for easy cleaning. Front glass is sloped for high visual product display.
- Tempered thermopane glass top, ends, and doors.
- Removable sliding rear doors, shelf lights, shelf supports, and shelves.
- 31" has a swing door, hinged right or left.
- Shielded top light and shelf lights.
- Steel base construction with a choice of six standard laminates on base. Other finishes optional.
- Condenser air filter on self-contained units.
- Thermometer.
- Removable, scratch-resistant, rustproof white display deck.
- Condensate evaporator provided for a totally self-contained system.
- Oversized coil and low-velocity fan system maintains high humidity and product freshness.
- Easy clean, rustproof insulated evaporator coil compartment.
- Easily accessible light switch and adjustable temperature control.
- Average case temperature of 38° to 40° F is maintained.
- Rear access to the refrigeration system for quick and easy service.
- Designed for continuous line-ups.
- Black trim. Others optional.
- 134A Refrigerant.
- UL Safety and UL Sanitation Listed.

# HIGH VOLUME REFRIGERATED BAKERY CASE

## OPTIONAL ACCESSORIES:

- |  |  |  |
|--|--|--|
| <input type="checkbox"/> Special Base Finish             | <input type="checkbox"/> Cord & Plug                         | (NEMA 5-15P for 31, 36, 50, 59 Models, |
| <input type="checkbox"/> Special Trim                    | (Self-Contained Models Only)                                 | NEMA 5-20P for 77 Models.)             |
| <input type="checkbox"/> Glass Shelves                   | <input type="checkbox"/> Legs                                |  |
| <input type="checkbox"/> Rear Wrapping Board             | <input type="checkbox"/> Top Cutting Board, White            |  |
| <input type="checkbox"/> Casters/Cord & Plug Included    | <input type="checkbox"/> Package Shelf                       |  |
| (Self-Contained Models Only)                             | <input type="checkbox"/> Light Below Package Shelf           |  |
| <input type="checkbox"/> Remote Condensing Unit          | <input type="checkbox"/> Black, Gold, or Chrome Wire Shelves |  |
| <input type="checkbox"/> Reflective Ends                 | <input type="checkbox"/> Front Glass and Rear Door Locks     |  |
| <input type="checkbox"/> White or Mirrored Interior Ends | <input type="checkbox"/> Joining Kit for Continuous Line-ups |  |
| with Laminated Exterior                                  |  |  |
| <input type="checkbox"/> Reflective Rear Doors           |  |  |



## SPECIFICATIONS:

Model	Dimensions			Shipping Weight (lbs)	Bakery Pan Capacity	Self-Contained (120/60/1)	Remote (120/60/1)
	L	W	H				
SGR3142	31.13"	35.31"	42"	460	3 (18" x 26") & 3 (9" x 26")	1/3 HP - 8.0 AMPS	2.1 AMPS
SGR3148	31.13"	35.31"	48"	500	4 (18" x 26") & 4 (9" x 26")	1/3 HP - 8.0 AMPS	2.1 AMPS
SGR3642	36.13"	35.31"	42"	470	3 (18" x 26") & 3 (9" x 26")	1/3 HP - 9.0 AMPS	2.3 AMPS
SGR3648	36.13"	35.31"	48"	510	4 (18" x 26") & 4 (9" x 26")	1/3 HP - 9.0 AMPS	2.3 AMPS
SGR5042	50.13"	35.31"	42"	615	6 (18" x 26") & 3 (9" x 26")	1/2 HP - 10.5 AMPS	2.3 AMPS
SGR5048	50.13"	35.31"	48"	690	8 (18" x 26") & 4 (9" x 26")	1/2 HP - 10.5 AMPS	2.3 AMPS
SGR5942	59.13"	35.31"	42"	730	9 (18" x 26")	1/2 HP - 11.6 AMPS	2.5 AMPS
SGR5948	59.13"	35.31"	48"	765	12 (18" x 26")	1/2 HP - 11.6 AMPS	2.5 AMPS
SGR7742	77.13"	35.31"	42"	890	12 (18" x 26")	3/4 HP - 14.2 AMPS	3.3 AMPS
SGR7748	77.13"	35.31"	48"	930	16 (18" x 26")	3/4 HP - 14.2 AMPS	3.3 AMPS

- If a GFCI circuit is required, a GFCI Breaker Must be used instead of GFCI receptacle.
- Refrigerated cases are designed to operate in a maximum environment of 75° ambient and 55% relative humidity.
- Due to continuing engineering improvements, specifications are subject to change without notice.



## Look to Federal for Innovative Merchandising



*The Signature of Quality*

**FEDERAL INDUSTRIES**  
A Standex Company

215 FEDERAL AVENUE, BELLEVILLE, WISCONSIN 53508-9201

PHONE: 800-356-4206

EMAIL: [geninfo@federalind.com](mailto:geninfo@federalind.com)

FAX: 608-424-3234

WEBSITE: [www.federalind.com](http://www.federalind.com)

