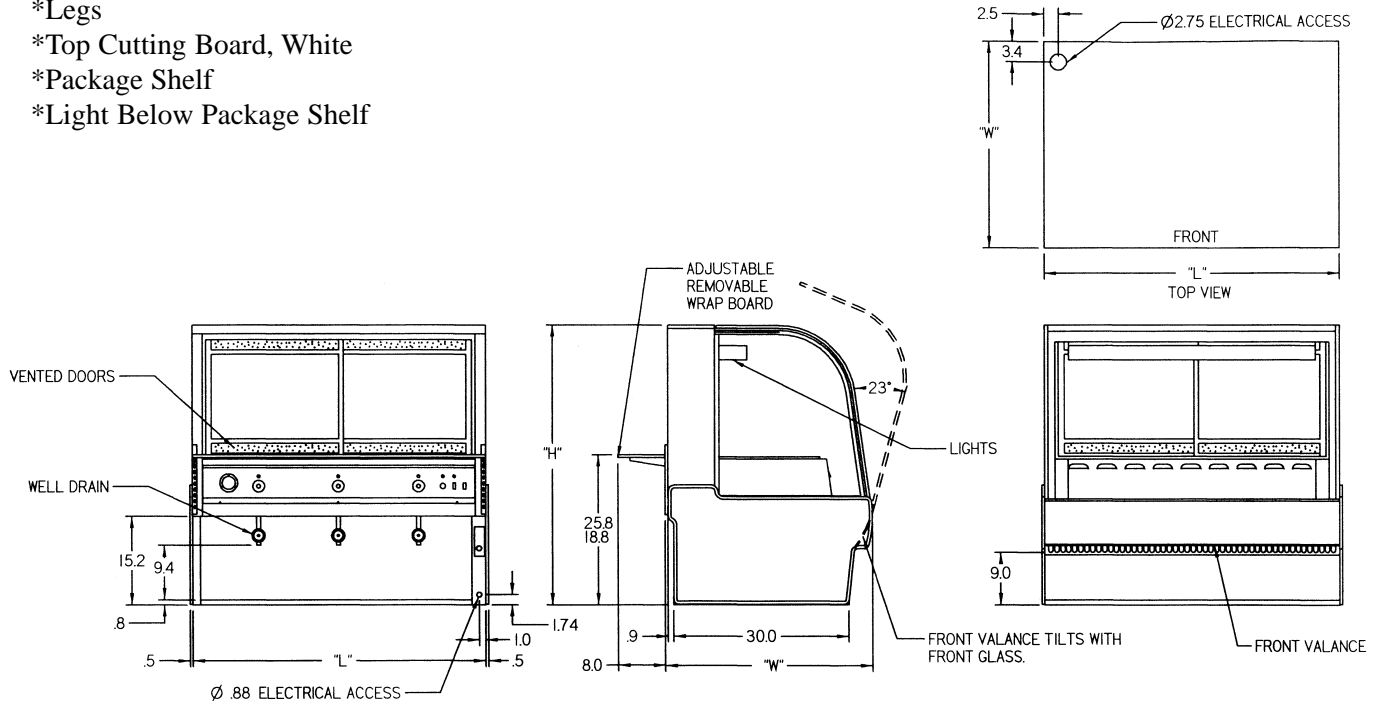


CURVED GLASS HOT DELI CASE

OPTIONAL ACCESSORIES:

- *Special Base Finish
- *Reflective Ends
- *White Ends or Mirrored Interior
- *Reflective Rear Doors
- *Legs
- *Top Cutting Board, White
- *Package Shelf
- *Light Below Package Shelf
- *Front Glass and Rear Door Locks
- *Scale Platform
- *Joining Kit for Continuous Line-ups



SPECIFICATIONS:

Model	Dimensions			Shipping Weight (Lbs.)	Wells*	Electrical Requirements 120/208-240/60/1 3-Wire Plus Ground
	L	W	H			
CG5048HD	50.13"	35.31"	48"	585	3	19.6 AMPS
CG5948HD	59.13"	35.31"	48"	660	3	19.6 AMPS
CG7748HD	77.13"	35.31"	48"	800	5	32.3 AMPS

*Each well holds a full-size pan.

- Due to continuing engineering improvements, specifications are subject to change without notice.



Look to Federal for Innovative Merchandising



a Standex company

Federal Industries
A Standex Company
215 Federal Avenue
Belleville WI 53508-0290
Phone: 800-356-4206
Fax: 608-424-3234
Email: geninfo@federalind.com
Web Site: www.federalind.com