

Customization Comes Standard



New!

CAMBRO[®]
TRUSTED FOR GENERATIONS[™]

- Countless configurations for any situation
- Fully-portable system keeps food cold for hours
- Easy care and unmatched durability
- All components are fully compliant with 2011 NSF requirements

What's Your Ar

The Versa Food Service System provides custom designs without the custom price. This stylish, completely portable system goes anywhere and keeps food cold with either ColdFest® pans or Buffet Camchillers®. Whether it's space considerations, frequent menu changes or merchandising requirements, the Versa Food Service System offers unequalled versatility.

Build-A-Bar

- Use the Straight or Corner Connector to connect Versa Food Bars™, Work Tables and Carts to create a professional, uniform look.
- Connect two Versa Food Bars for an upscale salad bar.
- Attach a Work Table to a Food Bar to merchandise snacks and beverages.
- Join a Cart with a Food Bar for faster check-out and improved traffic flow.
- Connect the Cart to a Work Table to create a snack or beverage station.
- Maximize space by connecting two Food Bars with the Corner Connector.



Versa Food Service System components offer countless configurations!

Versa Food Bar

5 or 6 Feet (152 or 183 cm)

The main component of the system is versatile and mobile. Knock-down sneeze guards allow for easy cleaning and set-up. Add an end table to hold trays or plates.



Versa Work Table

5 or 6 Feet (152 or 183 cm)

The multipurpose Work Table is perfect as a prep table, display station or serving station. Use with or without removable well covers.



ngle?

The Versa Food Service System Has You Covered.



Sneeze Guards Are Compliant With 2011 NSF Requirements

Versa Cart

Holds electrical equipment such as a computer or check-out terminal. Adjustable shelf can hold a printer. Front panel makes electrical access convenient and the security cable anchor keeps electronics protected. Tray rails easily adjust to a lower height.



Versa Corner Connector

Maximize space and merchandising options. Use to connect multiple Versa Food Bars, Versa Work Tables or a combination.



Functionality Featured

Versa Cart Keyboard Tray

Convenient, pull-out keyboard tray improves ergonomics.



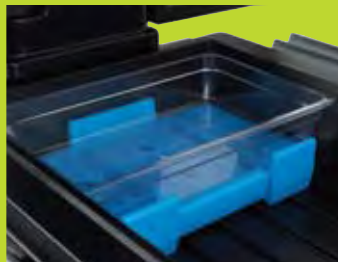
Versa Work Table

This table works overtime as a prep station or the ideal place for holding cold beverages and snacks.



Buffet Camchillers®

Extend safe, cold holding time without ice. Dual-sided Buffet Camchillers hold 2½" (6,5 cm) and 4" (10 cm) pans. Buffet Camchillers fit perfectly in the Versa Food Bar and Versa Work Table.



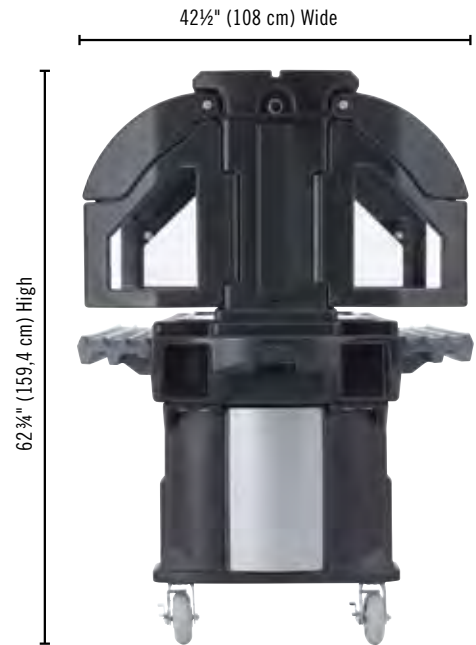
Versa Straight Connector

Easily and safely attach multiple components together to create a contiguous system. Use to connect multiple Versa Food Bars, Versa Work Tables or a combination.



Portability Redefined

- One person can set-up or knock-down the sneeze guards and tray rails for transport or storage in only 30 seconds!
- Ergonomic, molded-in handles on both sides ensure easy maneuvering.
- Easily fits through a standard 36" (91,5 cm) doorway with the sneeze guards and side rails knocked down.
- The optional heavy-duty 6" x 2" (15 x 5 cm) casters enhance the mobility and durability.



25% More Space Savings



The Versa Food Service System

CODE	DESCRIPTION	OVERALL EXTERIOR DIMENSIONS L x W x H	FULL PAN SIZE CAPACITY	WELL INTERIOR DIMENSIONS L x W x H	CASE LBS. (CUBE)	LIST PRICE EA.
Versa Food Bars™ - Standard Height						
VBR5	5' with Standard Casters	69" x 42½" x 62¾"	4	52⅝" x 21" x 7⅝"	179 (39.10)	\$2,400.00
VBRHD5	5' with Heavy Duty Casters	69" x 42½" x 62¾"	4	52⅝" x 21" x 7⅝"	189.9 (39.10)	\$2,610.00
VBR6	6' with Standard Casters	82" x 42½" x 62¾"	5	65⅝" x 21" x 7⅝"	214 (45.95)	\$2,500.00
VBRHD6	6' with Heavy Duty Casters	82" x 42½" x 62¾"	5	65⅝" x 21" x 7⅝"	224.5 (45.95)	\$2,710.00
Versa Food Bars - Low Height						
VBRL5	5' with Standard Casters	69" x 42½" x 55¾"	4	52⅝" x 21" x 7⅝"	175 (39.10)	\$2,400.00
VBRLHD5	5' with Heavy Duty Casters	69" x 42½" x 55¾"	4	52⅝" x 21" x 7⅝"	181.9 (39.10)	\$2,610.00
VBRL6	6' with Standard Casters	82" x 42½" x 55¾"	5	65⅝" x 21" x 7⅝"	202.5 (45.95)	\$2,500.00
VBRLHD6	6' with Heavy Duty Casters	82" x 42½" x 55¾"	5	65⅝" x 21" x 7⅝"	213 (45.95)	\$2,710.00
Versa Work Tables - Standard Height						
VBRT5	5' with Standard Casters	69" x 27" x 36¼"	4	52⅝" x 21" x 7⅝"	120 (24.01)	\$1,780.00
VBRTHD5	5' with Heavy Duty Casters	69" x 27" x 36¼"	4	52⅝" x 21" x 7⅝"	130.5 (24.01)	\$1,990.00
VBRT6	6' with Standard Casters	82" x 27" x 36¼"	5	65⅝" x 21" x 7⅝"	137.5 (28.22)	\$1,880.00
VBRTHD6	6' with Heavy Duty Casters	82" x 27" x 36¼"	5	65⅝" x 21" x 7⅝"	148 (28.22)	\$2,090.00
Versa Work Tables - Low Height						
VBRTL5	5' with Standard Casters	69" x 27" x 29¼"	4	52⅝" x 21" x 7⅝"	112 (24.01)	\$1,700.00
VBRTLHD5	5' with Heavy Duty Casters	69" x 27" x 29¼"	4	52⅝" x 21" x 7⅝"	122.5 (24.01)	\$1,910.00
VBRTL6	6' with Standard Casters	82" x 27" x 29¼"	5	65⅝" x 21" x 7⅝"	129.5 (28.22)	\$1,800.00
VBRTLHD6	6' with Heavy Duty Casters	82" x 27" x 29¼"	5	65⅝" x 21" x 7⅝"	140 (28.22)	\$2,010.00

Instock Color: Black (110). **Made to Order Colors:** Bronze (146), Hot Red (158), Navy Blue (186), Kentucky Green (519). **Case Pack:** 1

CODE	DESCRIPTION	OVERALL EXTERIOR DIMENSIONS L x W x H	CASE LBS. (CUBE)	LIST PRICE EA.
Versa Cart				
VCSWR	With Dual Tray Rails and Standard Casters	52¼" x 32¼" x 43"	127 (37.27)	\$2,050.00
VCSWRHD	With Dual Tray Rails and Heavy Duty Casters	52¼" x 32¼" x 43"	138.4 (37.27)	\$2,260.00
VCS	With Standard Casters and no Tray Rails	32¼" x 32" x 43"	117.5 (37.27)	\$1,900.00
VCSHD	With Heavy Duty Casters and no Tray Rails	32¼" x 32" x 43"	128.8 (37.27)	\$2,110.00

Instock Color: Black (110). **Made to Order Colors:** Bronze (146), Hot Red (158), Navy Blue (186), Kentucky Green (519). **Case Pack:** 1

Tray Rails

VBRR5	5' Tray Rail - Versa Food Bar	53" x 11½" x 4⅞"	12.66 (1.81)	\$340.00
VBRR6	6' Tray Rail - Versa Food Bar	66" x 11½" x 4⅞"	15.57 (2.31)	\$355.00
VCS32R	Tray Rail - Versa Cart	28" x 11⅝" x 5"	8.06 (1.09)	\$280.00

Colors: Granite Gray (191), Sandstone (614). **Case Pack:** 1

End Tables

VBRTBL5	For Standard Height Bars and Tables - 5'	27" x 22" x 4½"	12.92 (2.55)	\$360.00
VBRTBL5	For Low Height Bars and Tables - 5'	27" x 22" x 4½"	12.60 (2.55)	\$360.00
VBRTBL6	For Standard Height Bars and Tables - 6'	27" x 22" x 4½"	13.10 (2.55)	\$360.00
VBRTBL6	For Low Height Bars and Tables - 6'	27" x 22" x 4½"	12.84 (2.55)	\$360.00

Colors: Granite Gray (191), Sandstone (614). **Case Pack:** 1

Connectors

VBRC	Straight Connector - Bar to Bar	27" x 19" x 4¼"	10.58 (1.46)	\$143.00
VBRC90	Corner Connector - Bar to Bar	36" x 36" x 4¼"	21.26 (3.66)	\$240.00
VCS32CNT	Connector - Cart to Standard Height Bar / Table	27" x 20⅝" x 3¼"	10.75 (1.20)	\$250.00
VCSCNL	Connector - Cart to Low Height Bar / Table	27" x 20⅝" x 8⅝"	14.62 (2.56)	\$300.00

Colors: Black (110), Bronze (146), Hot Red (158), Navy Blue (186), Kentucky Green (519). **Case Pack:** 1

The Versa Food Service System

CODE	DESCRIPTION	OVERALL EXTERIOR DIMENSIONS L x W x H	CASE LBS. (CUBE)	LIST PRICE EA.
Vinyl Covers				
VBRCVR5	Versa Cover for 5' Bar	73" x 43½" x 46"	8 (0.25)	\$310.00
VBRCVR6	Versa Cover for 6' Bar	83" x 43½" x 46"	9 (0.25)	\$340.00
VBRTCVR5	Versa Cover for 5' Table	70" x 33½" x 21"	4 (0.25)	\$165.00
VBRTCVR6	Versa Cover for 6' Table	83" x 33½" x 21"	5 (0.25)	\$180.00
VCSCVR	Versa Cover for Cart	42" x 33" x 36"	3.5 (0.25)	\$165.00

Color: Opaque (000). **Case Pack:** 1

Merchandising

VBRSHTS	Versa Food Bar Sign Holder	36" x 6" x 9¼"	9 (3.33)	\$265.00
---------	----------------------------	----------------	----------	----------

Color: Clear (152).

Other Accessories

CPB1220	Buffet Camchiller®	18½" x 12½" x 4"	10.82 (0.62)	\$185.00
VBRWC	Versa Well Cover	20⅞" x 13" x 2"	3.72 (0.40)	\$112.00
VCS32KEYT	Versa Cart Keyboard Tray	20⅞" x 10⅞" x 2"	2.64 (0.39)	\$54.00

Buffet Camchiller Color: Cold Blue (159). **Well Cover Colors:** Black (110), Bronze (146), Hot Red (158), Navy Blue (186), Kentucky Green (519).

Keyboard Tray Color: Black (110). **Case Pack:** 1



InStock Versa Food Bar, Versa Work Table, Versa Cart Color: Black (110). **Made to order Colors:** Bronze (146), Hot Red (158), Navy Blue (186), Kentucky Green (519).



Black (110)



Bronze (146)



Hot Red (158)



Navy Blue (186)



Kentucky Green (519)

Tray Rail and End Table Colors: Granite Gray (191), Sandstone (614).



Granite Gray (191)



Sandstone (614)

For more information about Cambro products, contact your Distributor, Cambro Sales Representative or the Cambro Customer Service Department.



Coldfest® Gastronorm Pans

Hold cold food at safe temperatures without ice for hours.



Camwear® Food Pans

Store, transport and serve all in one pan. Virtually unbreakable, crystal clear polycarbonate keeps contents as cold as metal pans with less condensation.



Scallop Grip Tongs

Easily grasp hard to hold items such as salad greens and tomatoes.

CAMBRO
TRUSTED FOR GENERATIONS™

CAMBRO U.S.A.

5801 Skylab Road, Huntington Beach, CA 92647 P.O. Box 2000, Huntington Beach, CA 92647

Telephone: (714) 848-1555 Toll Free: (800) 854-7631 FAX: (714) 842-4375

Customer Service: (800) 833-3003 © 2009 Cambro Manufacturing Company.

Prices subject to change without prior notification. Printed in the U.S.A. 10/09.

LIT2952 D090917 Versa Food SS