

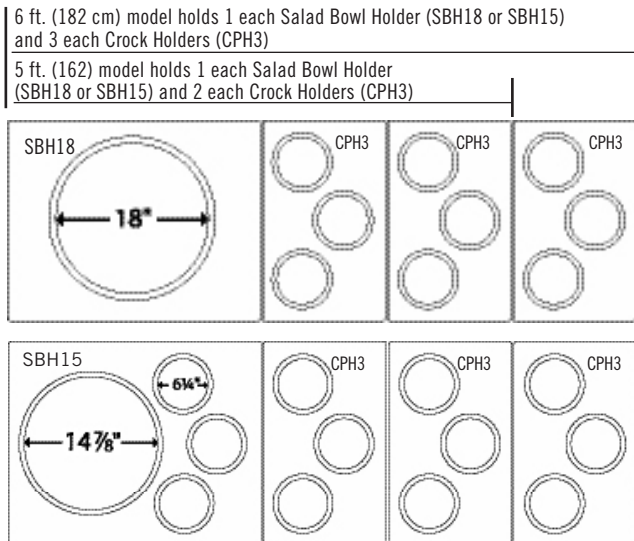
Versa Food Bars™

Model	Description	Standard Height	Low Height	Standard Casters	Heavy Duty Casters
VBR6	6 ft (183 cm)	•		•	
VBRL6	6 ft (183 cm)		•	•	
VBRHD6	6 ft (183 cm)	•			•
VBRLHD6	6 ft (183 cm)		•		•
VBR5	5 ft (152 cm)	•		•	
VBRL5	5 ft (152 cm)		•	•	
VBRHD5	5 ft (152 cm)	•			•
VBRLHD5	5 ft (152 cm)		•		•

Features & Benefits

- Stylish, completely portable system goes anywhere and keeps food cold for hours without ice (with the optional Buffet Camchillers® or ColdFest® food pans). Accommodates GN 1/1 Full or Fractional Size Food Pans up to 6" (15 cm) deep with Divider Bars.
- Versa Bar sneeze guards and tray rails knock down quickly and easily for easy mobility and storage.
- Components of the Versa Food Service System quickly and securely connect to provide countless configurations.
- Double-wall polyethylene construction provides extra strength, durability and reliability. Scratch-resistant textured exterior. Simple to clean - just wipe off.
- The Versa Food Bar sneeze guard is fully compliant with 2011 NSF requirements.
- Versa Food Bar may also be used with ice to keep food and beverages cold.
- NSF listed threaded faucet drain with a standard hose hook-up provides quick draining and cleaning.
- Choose from units with four each 6" (15.2 cm) standard swivel casters with brakes or four each 6" (15.2 cm) by 2" (5 cm) heavy duty swivel casters with brakes.
- Molded-in handles increase maneuverability.
- Standard accessories include protective Sneeze Guard panel made from NSF listed material.
- Optional accessories include Tray Rails, End Tables, Heavy Duty casters, Divider Bars, Crock Holder, and Salad Bowl Holders.
- Non-electrical.
- Easy to assemble.
- Available in 5 colors.

Set-Up Guide for Salad Bowls and Crocks



SBH18 - Holds 1 each 18" (45.7 cm) Salad Bowl
 SBH15 - Holds 1 each 15" (38 cm) Salad Bowl & 3 each 1.5 qt. (1.4 L) or 2.7 qt. (2, 4 L)
 Crocks - CPH3 - Holds 3 each 1.5 qt. (1.4 L) or 2.7 qt. (2, 4 L) Crocks

Item No. _____

Specifier Identification No. _____

Model No. _____

Quantity _____



VBRHD6

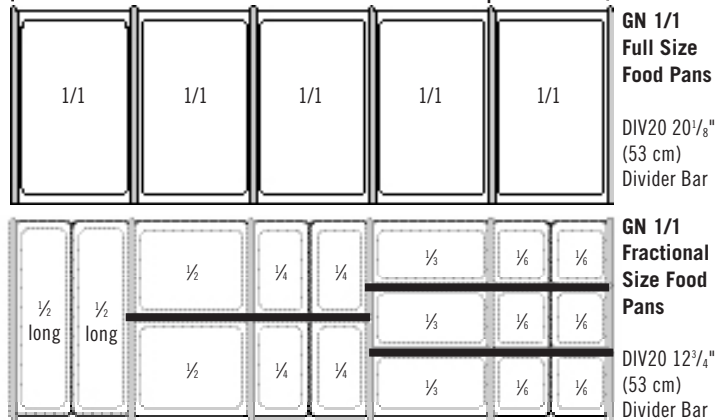


VBRHD6

VBRHD5

Set-Up Guide for Food Pans

6 ft. (182 cm) model holds 5 each GN 1/1 Full or Fractional Size Food Pans with DIV12 and DIV20 Divider Bars
 5 ft. (162 cm) model holds 4 each 5 each GN 1/1 Full or Fractional Size Food Pans with DIV12 and DIV20 Divider Bars



Approvals



Versa Food Bars™

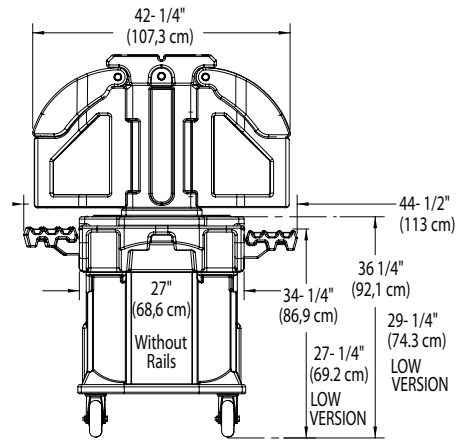
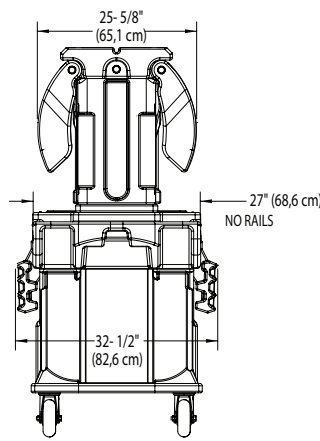
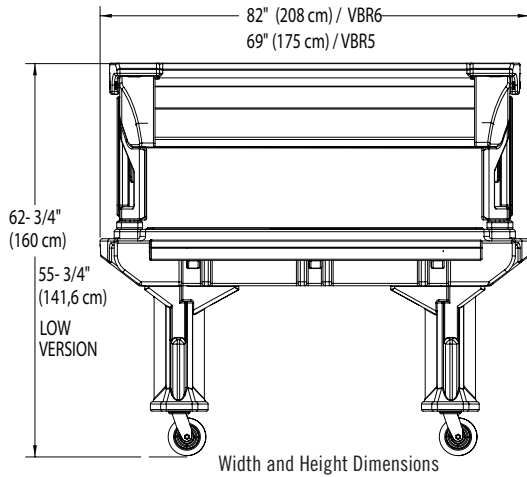
Models: VBR6, VBRL6, VBRHD6, VBRLHD6, VBR5, VBRL5, VBRHD5, VBRLHD5

Item No. _____

Specifier Identification No. _____

Model No. _____

Quantity _____



Specifications

Dimension Tolerance: +/- 1/4" (0,64 cm)

Code	Description	GN 1/1 Full Size Food Pan Capacity	Exterior Dimensions L x W x H	Case lbs./cube Kg/m ³
VBR6	6ft. (183 cm) Versa Food Bar Standard Height with Standard Casters	5	82" x 42 1/2" x 62 3/4" (208,3 x 108 x 159,4 cm)	214 lbs (46) 97,2 Kg (1,3 m ³)
VBRL6	6ft. (183 cm) Versa Food Bar Low Height with Standard Casters	5	82" x 42 1/2" x 55 3/4" (208,3 x 108 x 141,6 cm)	202.5 lbs (46) 92 Kg (1,3 m ³)
VBRHD6	6ft. (183 cm) Versa Food Bar Standard Height with Heavy Duty Casters	5	82" x 42 1/2" x 62 3/4" (208,3 x 108 x 159,4 cm)	224.5 lbs (46) 102 Kg (1,3 m ³)
VBRLHD6	6ft. (183 cm) Versa Food Bar Low Height with Heavy Duty Casters	5	82" x 42 1/2" x 55 3/4" (208,3 x 108 x 141,6 cm)	213 lbs (39) 96,8 Kg (1,3 m ³)
VBR5	5ft. (152 cm) Versa Food Bar Standard Height with Standard Casters	4	69" x 42 1/2" x 62 3/4" (175,3 x 108 x 159,4 cm)	183 lbs (39) 83,2 Kg (1,1 m ³)
VBRL5	5ft. (152 cm) Versa Food Bar Low Height with Standard Casters	4	69" x 42 1/2" x 55 3/4" (175,3 x 108 x 141,6 cm)	175 lbs (39) 79,5 Kg (1,1 m ³)
VBRHD5	5ft. (152 cm) Versa Food Bar Standard Height with Heavy Duty Casters	4	69" x 42 1/2" x 62 3/4" (175,3 x 108 x 159,4 cm)	189.9 lbs (39) 86,3 Kg (1,1 m ³)
VBRLHD5	5ft. (152 cm) Versa Food Bar Low Height with Heavy Duty Casters	4	69" x 42 1/2" x 55 3/4" (175,3 x 108 x 141,6 cm)	181.9 lbs (39) 82,7 Kg (1,1 m ³)

Optional Accessories

Divider Bar

- DIV12
 - DIV20
- Colors: White (148), Clear (152).

Versa Buffet Camchiller®

- CPB1220 Versa Buffet Camchiller
- Color: Cold Blue (159).

Merchandising Sign Display

- VBRSHTS Versa Bar Top Shelf Sign Holder
- Color: Clear (152).

Crock and Salad Bowl Holders

- CPH3 Fits all Versa Food Bars / Work Tables and holds 3 Crocks
 - SBH15 Holds 15" (38 cm) Bowl and 3 Crocks
 - SBH18 Holds 18" (46 cm) Bowl
- Colors: Granite Gray (191), Sandstone (614), White (148).

Corner Connector

- VBRC90
- Corner Connector*

Tray Rails

- VBRR5 (5ft) (152 cm)
- VBRR6 (6ft) (183 cm)

Straight Connector

- VBRC Straight Connector*
- *Available in the same standard colors as Versa Food Bar.

End Tables

- VBRTBL5 For Standard Height Bars 5' (152 cm)
 - VBRTBL6 For Standard Height Bars 6' (183 cm)
 - VBRTBL5 For Low Height Bars 5' (152 cm)
 - VBRTBL6 For Low Height Bars 6' (183 cm)
- Colors: Granite Gray (191), Sandstone (614).

Versa Well Cover

- VBRWC Well Cover*

Architect Specs

The non-electrical portable and modular foodservice Versa Food Bar shall be a Floor Model Food Bar, Models VBR5, VBR6, VBRL5, VBRL6, VBRHD5, VBRHD6, VBRLHD5, or VBRLHD6 manufactured by Cambro Mfg. Co., Huntington Beach, CA 92647 USA.

It shall be made of double-wall polyethylene with foam-injected polyurethane insulation. It shall have 4 each, 6" (15,2 cm) swivel casters with brakes or heavy duty 6" (15,2 cm) by 2" (5 cm) swivel casters with brakes. It shall be available with optional tray rails and end tables. It shall hold accessories such as the Buffet Camchiller (CPB1220), Cambro Salad Bowl Holders (SBH18 and SBH15) and Crock Holder (CPH3) or a selection of GN Full or Fractional Size Food Pans with Divider Bars. The depth of the interior food wells shall be 6 1/2" (16,5 cm). It shall be modular with other Versa Food Bars and Versa Food Service System components with the use of the optional Versa Corner Connector (VBRC90) and Versa Straight Connector (VBRC). It shall include a sneeze guard and protective end panels that fold down and in for transport and set-up. It shall have an NSF Listed threaded faucet drain with a standard hose hook up. It shall be available in 5 colors.

Versa Food Bar Standard Colors

- Black (110)
- Kentucky Green (519)
- Hot Red (158)
- Bronze (146)
- Navy Blue (186)

Divider Bar

- White (148)
- Clear (035)

Approvals

