

Buffet Bars

Models BBR720 (with Sneeze Guard)
 BBR480 (with Sneeze Guard)
 BUF72
 BUF48



Features & Benefits

- Easily turns any table into a profit producing food buffet bar.
- All models accommodate GN 1/1 Full or Fractional Size Food Pans, 2½" (6,4 cm) or 4" (10,2 cm) deep, with 12¾" (32,4 cm) DIV12 and 20⅞" (53 cm) DIV20 Divider Bars.
- Double-wall polyethylene construction provides extra strength, durability and reliability. Scratch-resistant textured exterior. Simple to clean - just wipe off.
- Thick polyurethane, foam-insulated well keeps food cold for hours with Camchillers® or ice.
- Drain plug is included to offer quick and easy clean up.
- Standard accessories include protective sneeze guard, made from NSF listed material.
- Sneeze Guard and Buffet Bar Base are available separately to offer even greater merchandising opportunities.
- Optional accessories include Divider Bars, Crock Holders, Salad Bowl Holders and Camchillers.
- Non-electric.
- Easy to assemble.
- Available in four (4) colors.

Item No. _____

Specifier Identification No. _____

Model No. _____

Quantity _____



BBR480
(Sneeze Guard and Buffet Food Bar)



FSG480
(Sneeze Guard)



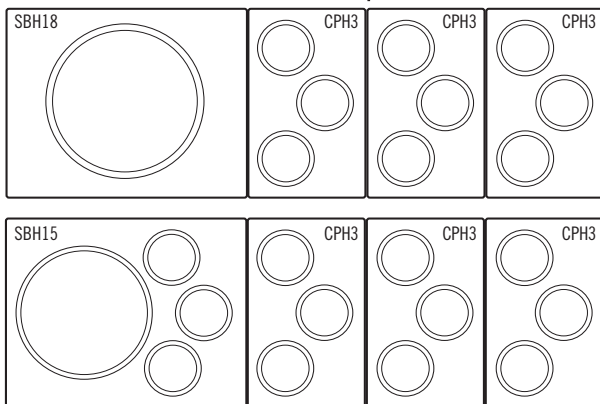
BUF48
(Buffet Food Bar)

Set Up Guide for Buffet Food Bars

Salad Bowls and Crock

73⅞" (188 cm) model holds 1 each Salad Bowl Holder (SBH18 or SBH15) and 3 each Crock Holders (CPH3)

48" (122 cm) model holds 1 each Salad Bowl Holder (SBH18 or SBH15) and 1 each Crock Holder (CPH3)

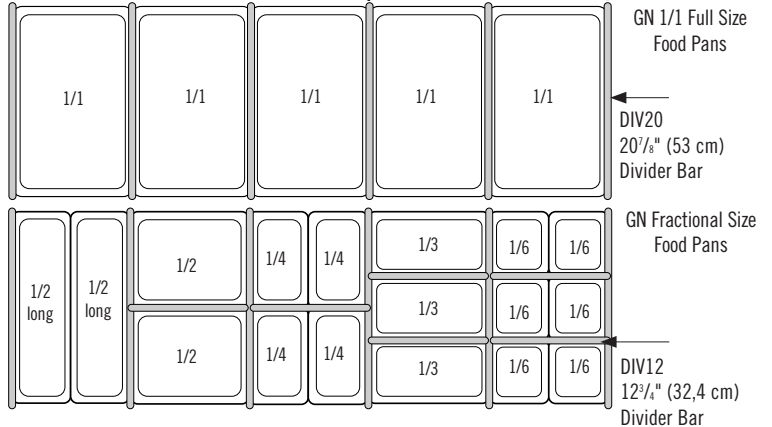


SBH18 - Holds 1 each 18" (45,7 cm) Salad Bowl
 SBH15 - Holds 1 each 15" (38 cm) Salad Bowl & 3 each 1.5 qt. (1,4 L) Crock
 CPH3 - Holds 3 each 1.5 qt. (1,4 L) Crock

Food Pans

73⅞" (188 cm) model holds 5 each GN 1/1 Full or holds Fractional Size Food Pans with DIV12 and DIV20 Divider Bars

48" (122 cm) models hold 3 GN 1/1 Full or holds Fractional Size Food Pans with DIV12 and DIV20 Divider Bars



Approvals



Buffet Bars

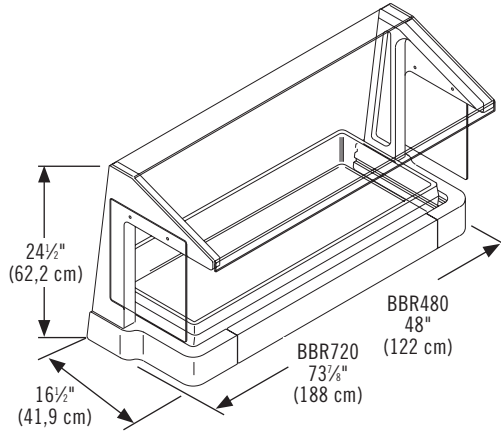
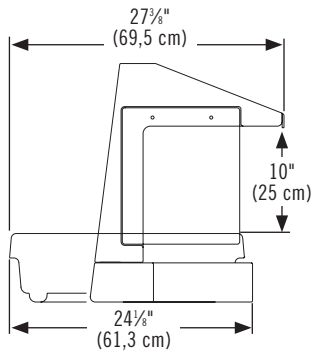
Models BBR720 (with Sneeze Guard)
 BBR480 (with Sneeze Guard)
 BUF72
 BUF48

Item No. _____

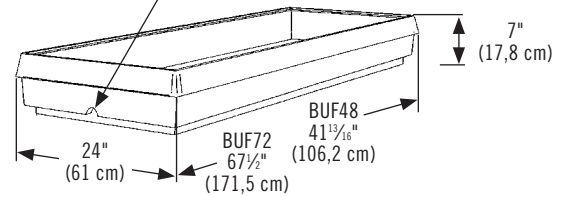
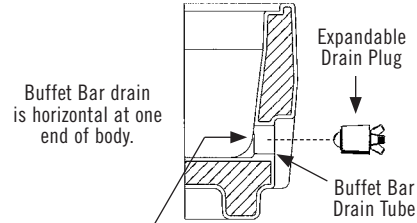
Specifier Identification No. _____

Model No. _____

Quantity _____



BBR720 and BBR480



BUF72 and BUF48

Specifications

Dimension Tolerance: +/- 1/4" (0,64 cm)

Code	Description	Overall Exterior Dimensions L x W x H	GN 1/1 Full Size Pan Capacity	Well Interior Dimensions L x W x D	Case lbs/ Cube Kg/ m ³
BUF72	Buffet Food Bar	67 1/2" x 24" x 7" (171,5 x 61 x 17,8 cm)	5	62 1/8" x 20 1/8" x 5" (159,7 x 51,1 x 12,7 cm)	29 (7.53) 13,2 (0,21)
BUF48	Buffet Food Bar	41 13/16" x 24" x 7" (106,2 x 61 x 17,8 cm)	3	37 1/4" x 20 1/8" x 5" (94,6 x 51,1 x 12,7 cm)	20.3 (4.72) 9,2 (0,13)
BBR720	Buffet Food Bar with Sneeze Guard	73 3/8" x 24 1/8" x 24 1/2" (188 x 61,3 x 62 cm)	5	62 1/8" x 20 1/8" x 5" (159,7 x 51,1 x 12,7 cm)	67 (20.74) 30,4 (0,59)
BBR480	Buffet Food Bar with Sneeze Guard	48" x 24 1/8" x 24 1/2" (122 x 61,3 x 62 cm)	3	37 1/8" x 20 1/8" x 5" (94,6 x 51,1 x 12,7 cm)	50 (10.88) 22,7 (0,31)

Optional Accessories

- Divider Bars**
 - DIV12 12 3/4" (32,4 cm)
 - DIV20 20 7/8" (53 cm)
- 3-Crock Holder**
 - CPH3 (holds 1.5 qt. (1,4 L) and 2.7 qt. (2,4 L) crocks)
- Salad Bowl Holders**
 - SBH15 (holds 1 each 15" (38 cm) bowl and 3 crocks)
 - SBH18 (holds 1 each 18" (45,7 cm) bowl)
- Camchiller® GN 1/1 Full Size**
 - CP1220
- Camchiller GN 1/2 Half Size**
 - CP1210
- Camchiller**
 - CP814
- Free Standing Sneeze Guard**
 - FSG720
 - FSG480

Standard Colors

- Black (110)
- Navy Blue (186)
- Hot Red (158)
- Kentucky Green (519)

Divider Bar

- White (148)
- Clear (035)

Crock Holder and Salad Bowl Holders

- White (148)
- Granite Gray (191)
- Sandstone (614)

Camchiller

- Cold Blue (159)

Architect Specs

The non-electric foodservice buffet bar shall be Model..., manufactured by Cambro Mfg. Co., Huntington Beach, CA 92647 U.S.A. It shall be made of seamless, double-wall high-density polyethylene and shall be foam-injected with polyurethane. It shall be offered complete with Buffet Bar Base and Sneeze Guard or each component shall be offered separately. It shall be available in two (2) lengths and shall accommodate three (3) or five (5) each, GN 1/1 Full Size Food Pans, up to 4" (10 cm) deep, or Fractional Size Food Pans with Divider Bars. It shall have a drain plug. The depth of the interior of the Buffet Bar Base shall be 5" (13 cm). It shall fit optional Cambro Salad Bowl (SBH18 and SBH15) Holders, Crock Holder (CPH3) and Camchillers (CP1220, CP1210 and CP814). It shall be available with a protective sneeze guard made of NSF listed material. It shall require minimal assembly. It shall be available in four (4) colors.

Approvals



© Cambro Manufacturing Company 5801 Skylab Road, Huntington Beach, California 92647-2056-U.S.A.
 Telephone 714 848 1555 Toll Free 800 854 7631 Customer Service 800 833 3003