



STAINLESS STEEL

FABRICATED ECONOMY SINKS

One & Two Compartments



Item #: _____ Qty #: _____
 Model #: _____
 Project #: _____

Rolled Rim Edge
For Additional Strength

MATERIAL:

1 5/8" diameter stainless steel legs with 1" adjustable stainless steel bullet feet.
 Entire unit is 16 gauge 304 stainless steel.
 Gussets - stainless steel.

MECHANICAL:

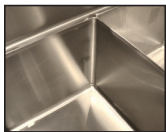
- Supply is 1/2" IPS hot & cold.
- Faucet holes on 8" centers.
- Faucets are not included (see accessories).
- Waste drains are 1 1/2" IPS S/S basket type, located in center of sink bowl, and are included.

FEATURES:

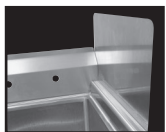
Backsplash has tile edge for ease of installation.
 Sink bowls are 3/4" coved corner and meet NSF requirements.
 Rolled Rim Edge for additional strength.
 Sink Bowls are 14" deep for greater capacity.

CONSTRUCTION:

All TIG welded.
 Welded areas blended to match adjacent surfaces and to a satin finish.
 Gussets welded to a die-formed reinforced plate.



Fabricated Bowls are Welded Together at the Seams



K-700
 Removable Side Splashes
 Fits Left OR Right Side

| | MODEL # | Length L | Width W | Bowl Size A & B | Drbd. Length C | # of Drbrds. | Drbd. Location | Wt |
|------------------|------------------|----------|---------|-----------------|----------------|--------------|----------------|----------|
| ONE COMPARTMENT | FC-1-1620 | 21" | 26" | | N/A | 0 | None | 50 lbs. |
| | FC-1-1620-18RorL | 36 1/2" | 26" | 16"x20" | 18" | 1 | Specify | 65 lbs. |
| | FC-1-1620-18RL | 52" | 26" | | 18" | 2 | R & L | 80 lbs. |
| | FC-1-1818 | 23" | 24" | | N/A | 0 | None | 60 lbs. |
| | FC-1-1818-18RorL | 38 1/2" | 24" | | 18" | 1 | Specify | 65 lbs. |
| | FC-1-1818-24RorL | 44 1/2" | 24" | 18"x18" | 24" | 1 | Specify | 70 lbs. |
| | FC-1-1818-18RL | 54" | 24" | | 18" | 2 | R & L | 90 lbs. |
| | FC-1-1818-24RL | 66" | 24" | | 24" | 2 | R & L | 100 lbs. |
| | FC-1-1824 | 23" | 30" | | N/A | 0 | None | 67 lbs. |
| | FC-1-1824-18RorL | 38 1/2" | 30" | | 18" | 1 | Specify | 105 lbs. |
| | FC-1-1824-24RorL | 45" | 30" | 18"x24" | 24" | 1 | Specify | 115 lbs. |
| | FC-1-1824-18RL | 54" | 30" | | 18" | 2 | R & L | 120 lbs. |
| FC-1-1824-24RL | 66" | 30" | | 24" | 2 | R & L | 130 lbs. | |
| TWO COMPARTMENTS | FC-1-2424 | 29" | 30" | | N/A | 0 | None | 90 lbs. |
| | FC-1-2424-18RorL | 45" | 30" | | 18" | 1 | Specify | 118 lbs. |
| | FC-1-2424-24RorL | 50 1/2" | 30" | 24"x24" | 24" | 1 | Specify | 123 lbs. |
| | FC-1-2424-18RL | 60" | 30" | | 18" | 2 | R & L | 135 lbs. |
| | FC-1-2424-24RL | 72" | 30" | | 24" | 2 | R & L | 145 lbs. |
| | FC-2-1515 | 35" | 21" | 15"x15" | N/A | 0 | None | 78 lbs. |
| | FC-2-1620 | 37" | 26" | | N/A | 0 | None | 85 lbs. |
| | FC-2-1620-18RorL | 52 1/2" | 26" | 16"x20" | 18" | 1 | Specify | 100 lbs. |
| | FC-2-1620-18RL | 68" | 26" | | 18" | 2 | R & L | 118 |
| | FC-2-1818 | 41" | 24" | 18"x18" | N/A | 0 | None | 83 lbs. |
| | FC-2-1818-18RorL | 56 1/2" | 24" | | 18" | 1 | Specify | 90 lbs. |
| | FC-2-1818-18RL | 72" | 24" | | 18" | 2 | R & L | 105 lbs. |
| | FC-2-1818-24RL | 84" | 24" | | 24" | 2 | R & L | 115 lbs. |
| | FC-2-1824 | 41" | 30" | | N/A | 0 | None | 115 lbs. |
| | FC-2-1824-18RorL | 56 1/2" | 30" | 18"x24" | 18" | 1 | Specify | 130 lbs. |
| | FC-2-1824-24RorL | 62 1/2" | 30" | | 24" | 1 | Specify | 140 lbs. |
| | FC-2-1824-18RL | 72" | 30" | | 18" | 2 | R & L | 145 lbs. |
| | FC-2-1824-24RL | 84" | 30" | | 24" | 2 | R & L | 160 lbs. |
| FC-2-2424 | 53" | 30" | | N/A | 0 | None | 138 lbs. | |
| FC-2-2424-18RorL | 68 1/2" | 30" | 24"x24" | 18" | 1 | Specify | 155 lbs. | |
| FC-2-2424-18RL | 84" | 30" | | 18" | 2 | R & L | 210 lbs. | |
| FC-2-2424-24RorL | 74 1/2" | 30" | | 24" | 1 | Specify | 195 lbs. | |
| FC-2-2424-24RL | 96" | 30" | | 24" | 2 | R & L | 225 lbs. | |



Customer Service Available To Assist You 1-800-645-3166 8:30 am - 8:00 pm E.S.T.

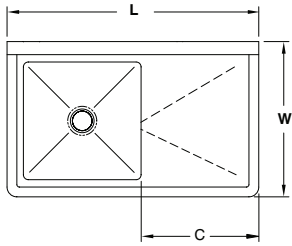
For Orders & Customer Service:
 Email: customer@advancetabco.com or Fax: 631-242-6900

For Smart Fabrication™ Quotes:
 Email: smartfab@advancetabco.com or Fax: 631-586-2933

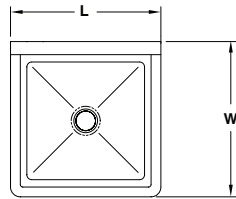
DIMENSIONS and SPECIFICATIONS

TOL Overall: $\pm .500''$
 Interior: $\pm .250''$

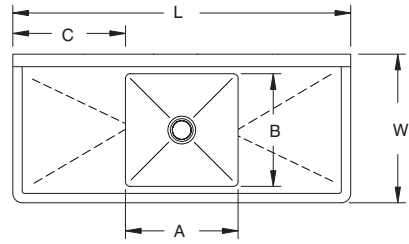
ALL DIMENSIONS ARE TYPICAL



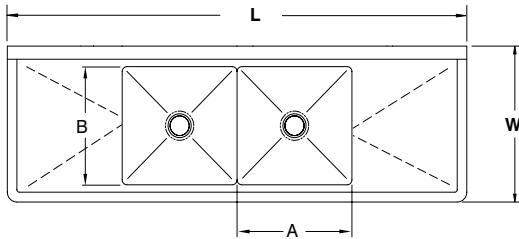
1 COMP - 1 DRBD



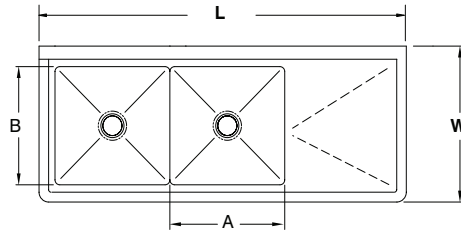
1 COMP



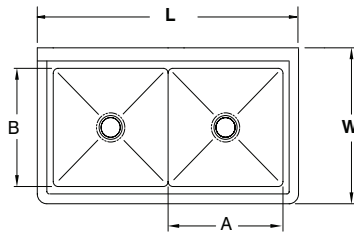
1 COMP - 2 DRBDS



2 COMP - 2 DRBD

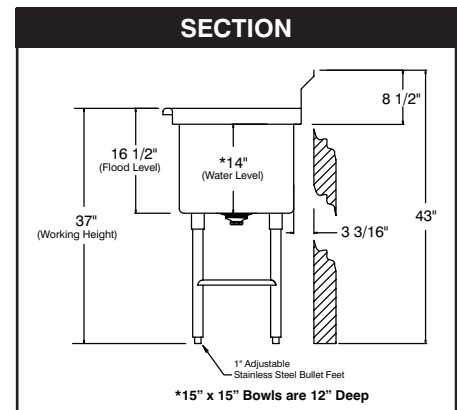
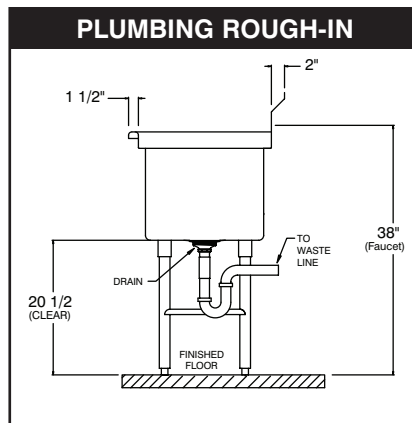


2 COMP - 1 DRBD



2 COMP

| ACCESSORIES | Model # | Qty |
|-------------|---------|-----|
| DRAINS | | |
| FAUCETS | | |



ADVANCE TABCO is constantly engaged in a program of improving our products. Therefore, we reserve the right to change specifications without prior notice.