

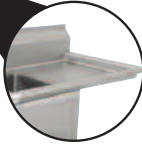
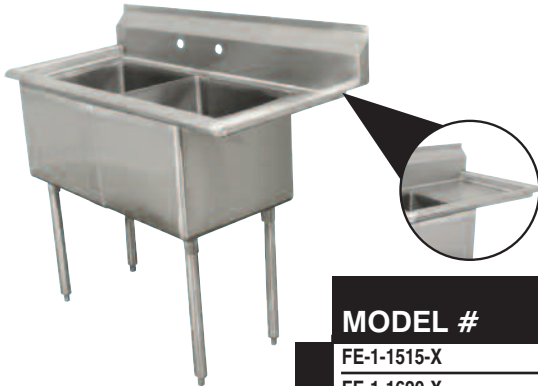


18 GAUGE STAINLESS STEEL

FE SERIES - FABRICATED SINKS

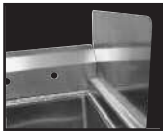


One & Two Compartments



Rolled Rim Edge
For Additional Strength

Item #: _____ Qty #: _____
 Model #: _____
 Project #: _____



K-700
Removable Side
Splashes Fits
Left OR Right
Side

	MODEL #	Length L	Width W	Bowl Size A & B	Bowl Depth	Drbd. Length C	# of Drbrds.	Drbrd. Location	Wt	Aprox. Cubes
1 COMP.	FE-1-1515-X	20"	20 3/4"	15"x15"	12"	N/A	0	None	38 lbs.	11
	FE-1-1620-X	21"	25 3/4"	16"x20"	12"	N/A	0	None	42 lbs.	12
	FE-1-1620-18RorL-X	36 1/2"	25 3/4"		12"	18"	1	R or L	55 lbs.	18
	FE-1-1620-18RL-X	52"	25 3/4"		12"	18"	2	R & L	67 lbs.	25
	FE-1-1812-X	23"	23 3/4"	18"x18"	12"	N/A	0	None	42 lbs.	13
	FE-1-1812-18RorL-X	38 1/2"	23 3/4"		12"	18"	1	R or L	57 lbs.	22
	FE-1-1812-18RLX	54"	23 3/4"		12"	18"	2	R & L	65 lbs.	23
	FE-1-1824-X	23"	29 3/4"	18"x24"	14"	N/A	0	None	60 lbs.	16
	FE-1-1824-24RorL-X	44 1/2"	29 3/4"		14"	24"	1	R or L	105 lbs.	28
	FE-1-1824-24RL-X	66"	29 3/4"		14"	24"	2	R & L	110 lbs.	26
	FE-1-2424-X	29"	29 3/4"	24"x24"	14"	N/A	0	None	90 lbs.	20
	FE-1-2424-24RorL-X	50 1/2"	29 3/4"		14"	24"	1	R or L	103 lbs.	34
FE-1-2424-24RLX	72"	29 3/4"	14"		24"	2	R & L	122 lbs.	44	
2 COMP.	FE-2-1620-X	37"	25 3/4"	16"x20"	12"	N/A	0	None	72 lbs.	18
	FE-2-1620-18RorL-X	52 1/2"	25 3/4"		12"	18"	1	R or L	84 lbs.	25
	FE-2-1620-18RL-X	68"	25 3/4"		12"	18"	2	R & L	100 lbs.	32
	FE-2-1812-X	41"	23 3/4"	18"x18"	12"	N/A	0	None	65 lbs.	18
	FE-2-1812-18RorL-X	56 1/2"	23 3/4"		12"	18"	1	R or L	78 lbs.	26
	FE-2-1812-18RLX	72"	23 3/4"		12"	18"	2	R & L	84 lbs.	44
	FE-2-2424-X	53"	29 3/4"	24"x24"	14"	N/A	0	None	124 lbs.	33
	FE-2-2424-24RorL-X	74 1/2"	29 3/4"		14"	24"	1	R or L	132 lbs.	38
FE-2-2424-24RLX	96"	29 3/4"	14"		24"	2	R & L	140 lbs.	50	

FEATURES:

- Backsplash has tile edge for ease of installation.
- Sink bowls are 3/4" coved corner and meet NSF requirements.
- Rolled Rim Edge for additional strength.
- 15"x15", 16"x20" & 18"x18" Sink Bowls are 12" deep.
- 18"x24" & 24"x24" Sink Bowls are 14" deep.
- 9" Backsplash.

CONSTRUCTION:

- All TIG welded.
- Welded areas blended to match adjacent surfaces and to a satin finish.
- Gussets welded to a die-embossed reinforced plate.

MATERIAL:

- 1 5/8" diameter galvanized legs with 1" adjustable plastic bullet feet.
- Entire unit is 18 gauge 304 stainless steel.
- Gussets - galvanized steel.

MECHANICAL:

- Supply is 1/2" IPS hot & cold.
- Faucet holes on 8" centers.
- Faucets are not included (**see accessories**).
- Waste drains are 1 1/2" IPS S/S basket type, located in center of sink bowl, and are included.

OPTIONAL:

- FE-SS-12 S/S Leg Upgrade For Sinks w/ 12" Deep Bowls
- FE-SS-14 S/S Leg Upgrade For Sinks w/ 14" Deep Bowls



Customer Service Available To Assist You **1-800-645-3166** 8:30 am - 8:00 pm E.S.T.

Email Orders To: customer@advancetabco.com. For Smart Fabrication™ Quotes, Email To: smartfab@advancetabco.com or Fax To: 631-586-2933

NEW YORK
Fax: (631) 242-6900

GEORGIA
Fax: (770) 775-5625

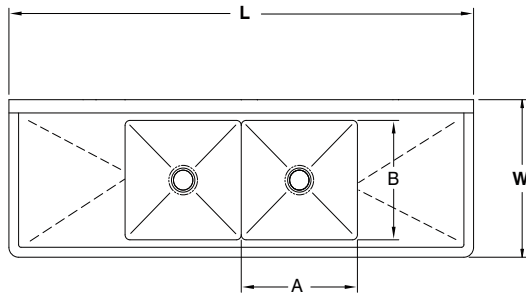
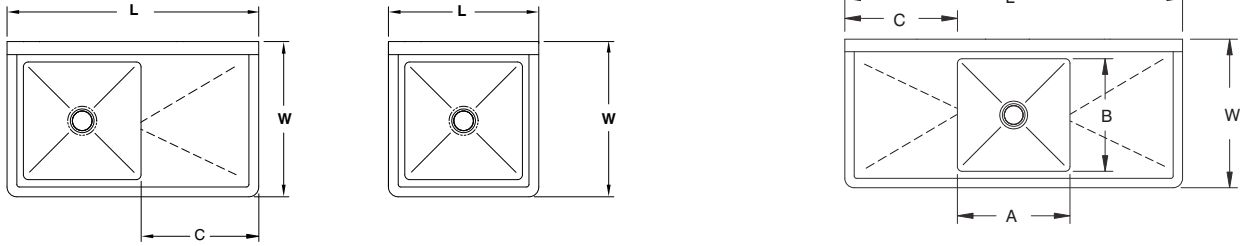
TEXAS
Fax: (972) 932-4795

NEVADA
Fax: (775) 972-1578

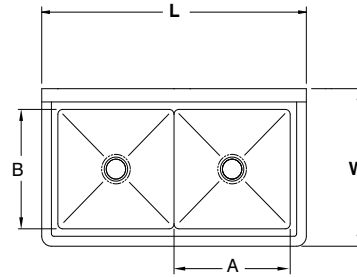
DIMENSIONS and SPECIFICATIONS

TOL Overall: ± .500" Interior: ± .250"

ALL DIMENSIONS ARE TYPICAL

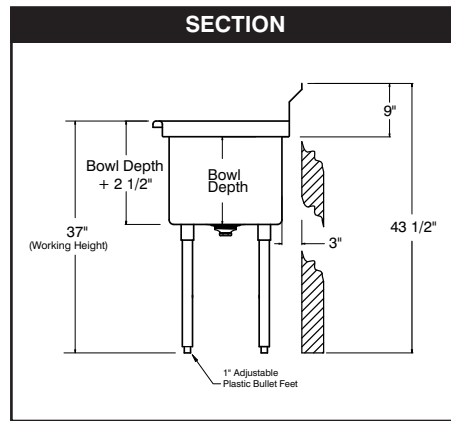
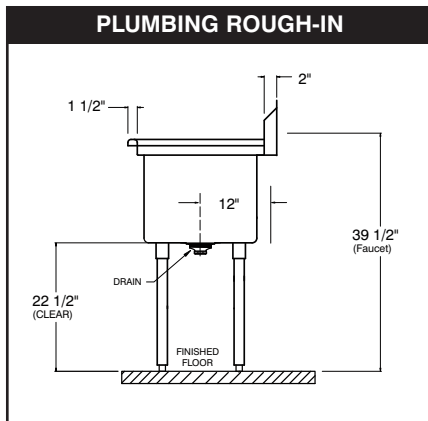


2 COMP - 2 DRBD



2 COMP

ACCESSORIES	Model #	Qty
DRAINS		
FAUCETS		



ADVANCE TABCO is constantly engaged in a program of improving our products. Therefore, we reserve the right to change specifications without prior notice.